



EQUIPMENT TRADE SERVICE CO INC.

CLEANING PRODUCTS SPECIALISTS

20 E. Winona Ave. Norwood, PA 19074 Ph. (610) 583-7657 Fax. (610) 583-5479 www.etscompany.com

DE SERIES

COLD WATER PRESSURE WASHER

Direct Drive • Electric Powered • Industrial Cart

Quality Gun and Dual Stainless Steel Lance Combination:
Easy pull trigger with 36" lance.
(C2010DE includes 36" single lance)

Separate Unloader:
Diverts water pressure when trigger is not in use. Includes easily adjustable pressure control knob and all brass fittings.

Baldor TEFC Motor:
Low speed induction motor extends the life of your pump.

High Quality Triplex Plunger Pump:
All Dynablast pressure washers include GP/Interpump pumps with solid ceramic plungers, thermal pump protector and limited 5 year warranty.

Inlet Filter:
Helps reduce contaminants from entering the pump.

Chemical Accessory Basket

Downstream Adjustable Chemical Injector:
For low pressure soap and chemical injection.

Lance and Gun Holder

Heavy Duty Steel Construction with Powder Coated Finish

50' High Pressure Hose:
Durable non-marking steel-braided hose.

Time Delay Shutdown:
Extends the life of your pressure washer. 5HP and 7.5HP models only.

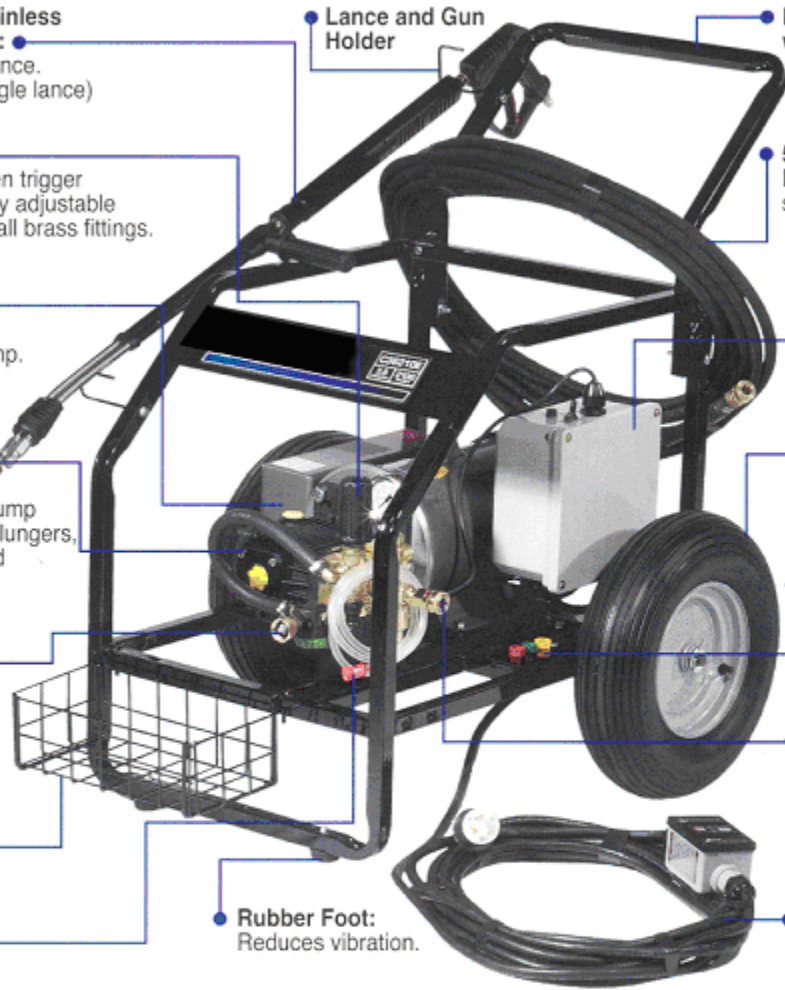
Pneumatic Tires:
Ball bearing construction with a steel rim and hub assembly.

Four Quick Connect Nozzles:
Color coded nozzles included are 0°, 15°, 25°, and soap mounted on lance.

Quick Connect Hose Connectors:
For easy on/off connections and tangle free hoses.

Rubber Foot:
Reduces vibration.

Heavy Duty Power Cord:
Shown with optional GFCI Plug.



SPECIFICATIONS

MODEL	MNEQ-2010DXEDG	MNEQ-3641DXEAG	MNEQ-4027DXEBG
Operating Pressure (PSI):	1000	2100	2700
Volume (GPM):	2.0	3.6	4.0
Engine (HP):	1.5	5	7.5
Pump Speed (RPM):	1750	1750	1750
Voltage:	115	230	230
Amps:	14	23	31
Wheel Size:	10"	16"	16"
Dimensions (LxWxH):	30"x26"x27"	36"x28"x38"	50"x27"x40"
Unit Weight:	120 lbs	190 lbs	270 lbs

Features and specifications subject to change without prior notice.