

Mi-T-M[®] CORPORATION

8650 Enterprise Drive, Peosta IA 52068

319-556-7484 / Fax 319-556-1235

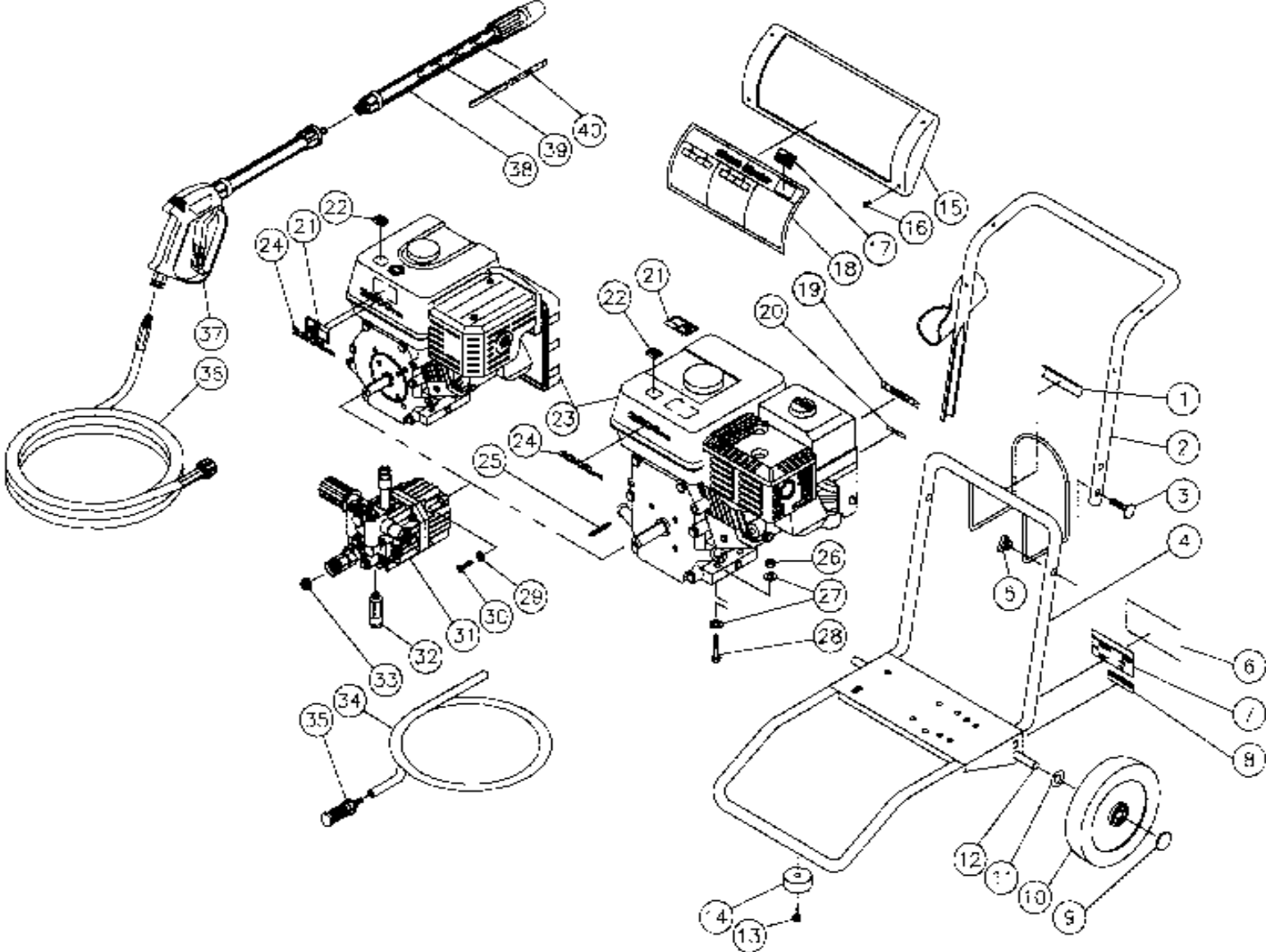
CM-2200-0MVC & CM-2203-0MHC

PARTS LIST

(After Serial #215703)

Honda Engine Oil Grade:	30W SE/SF/SG
Honda Engine Oil Capacity:	20 oz.
Vanguard Engine Oil Grade:	30W SE/SF/SG
Vanguard Engine Oil Capacity:	24 oz.
Pump Oil Grade:	Mi-T-M Pump Oil AW-4085-0016
Pump Oil Capacity:	6.5 oz.
Nozzle Size:	1.2 mm

FRAME ASSEMBLY FOR CM-2200-0MVC & CM-2203-0MHC



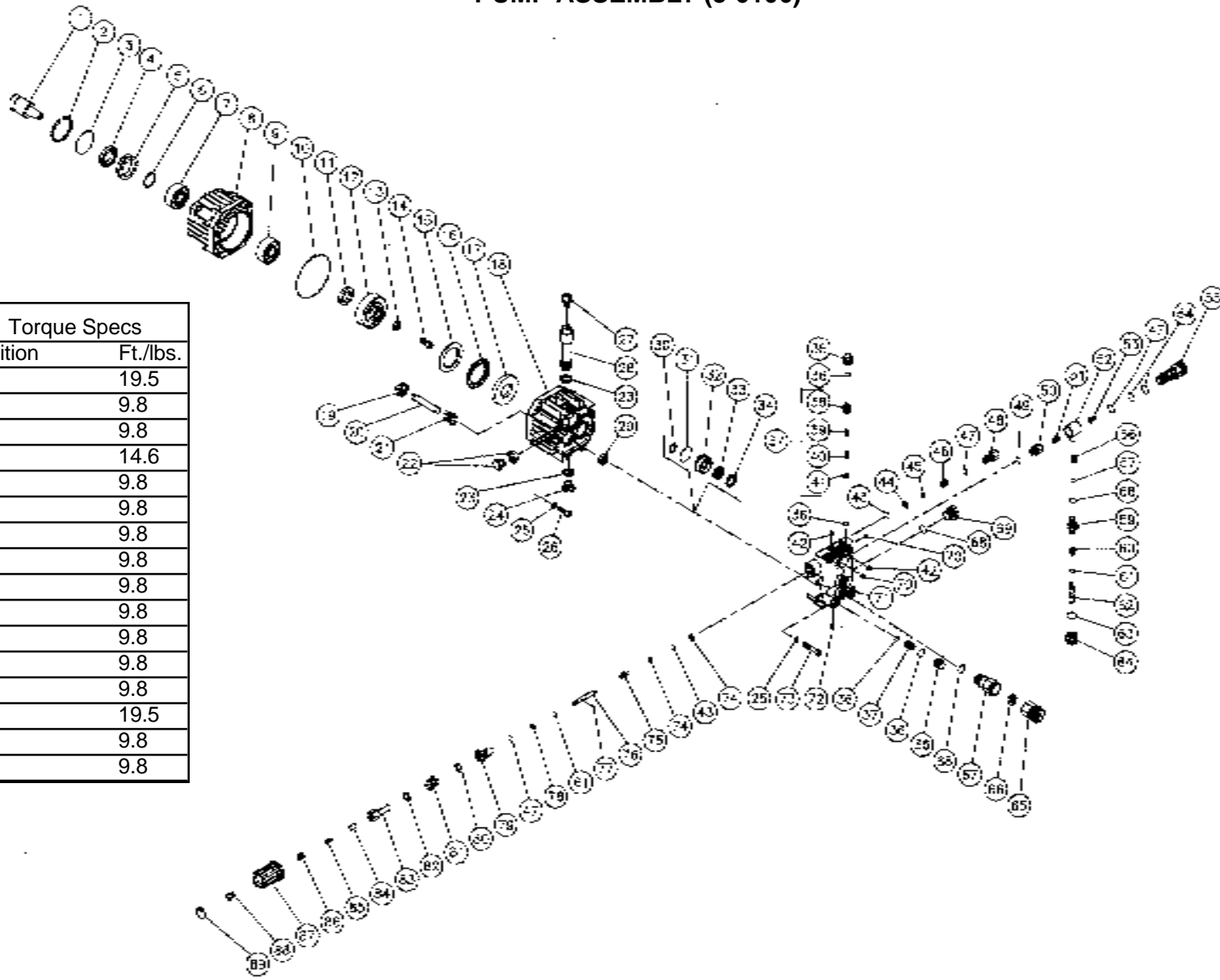
OMCH011-031396-JTR

CM-2200-OMVC & CM-2203-0MHC FRAME ASSEMBLY

REF. #	DESCRIPTION	PART #	QTY.	REF. #	DESCRIPTION	PART #	QTY.
1	Technical Service Number	34-0603	1	22	Decal-Caution: Allow to Cool	34-0588	1
2	Handle	7-0106	1	23	Engine-5.5 HP Honda (CM-2203)	1-0013	1
3	Carriage Bolt	31-0051	2		Engine-5.5 HP Vanguard (CM-2200)	1-0069	1
4	Frame	5-0102	1	24	Decal-2200 PSI/Orange Die Cut	34-0553	1
5	Knob	7-0107	2	25	Key	43-0073	1
6	Decal-Clear Laminate	34-0210	1	26	Locknut	30-0157	4
7	Decal-Silver I.D. Sticker	34-0486	1	27	Washer	28-0003	8
8	Decal-Serial Number	N/A	1	28	Bolt	27-0070	4
9	Hub Cap	33-0055	2	29	Lockwasher	29-0007	4
10	Wheel	14-0052	2	30	Bolt	27-0847	4
11	Washer	28-0006	4	31	Pump-Axial Piston	3-0106	1
12	Axle	20-0343	1	32	Heat Dump Valve	22-0208	1
13	Screw	27-3064	2	33	Filter	19-0001	1
14	Isolator	14-0007	2	34	Detergent Hose *(4' required)	15-0021	1
15	Name Plate	62-0084	1	35	Detergent Strainer	19-0050	1
16	Screw	27-3049	4	36	High Pressure Hose	15-0133	1
17	Decal-American Flag	34-0521	1	37	Gun Assembly	16-0218	1
18	Decal-Warning: Pictorial	34-0471	1	38	Variable Nozzle Assembly 1.45mm	16-0219	1
19	Decal-Throttle (CM-2203 only)	34-0459	1	39	Decal-Warning: Risk of Injection	34-0572	1
20	Decal-Choke Lever (CM-2203 only)	34-0458	1	40	Decal-Adjustable Nozzle-High/Low	34-0457	1
21	Decal-Warning: Muffler Hot	34-0130	1	*Must order in one foot lengths			

PUMP ASSEMBLY (3-0106)

Torque Specs	
Position	Ft./lbs.
14	19.5
22	9.8
24	9.8
26	14.6
35	9.8
42	9.8
48	9.8
55	9.8
59	9.8
67	9.8
69	9.8
70	9.8
72	9.8
73	19.5
76	9.8
79	9.8

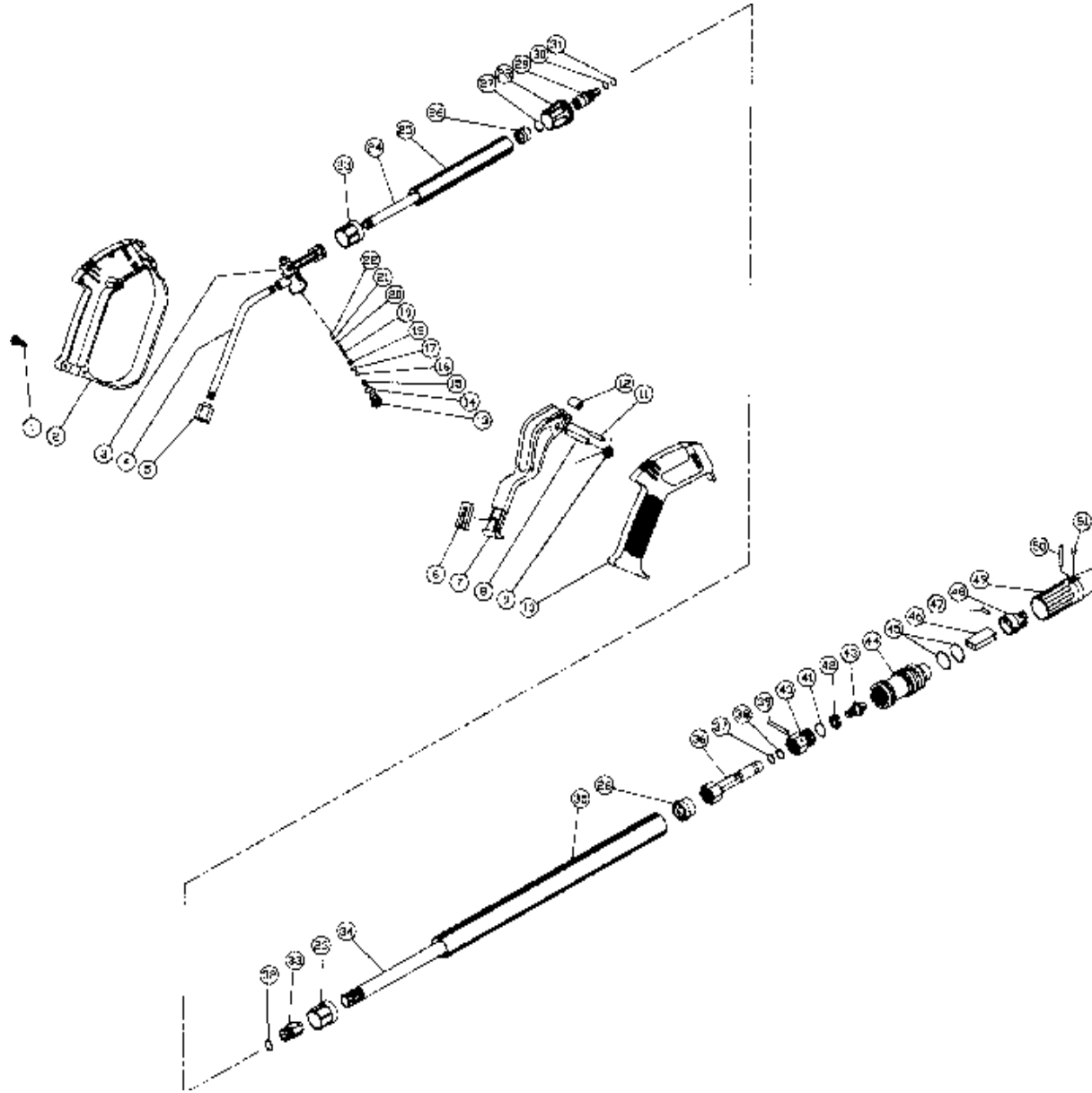


OMPMP006-082196-JTR

©Copyright 1996, Mi-T-M Corporation

PUMP ASSEMBLY (3-0106)											
REF #	DESCRIPTION	PART #	QTY	REF #	DESCRIPTION	PART #	QTY	REF #	DESCRIPTION	PART #	QTY
1	Pump Shaft	46-0427	1	34	Packing Ring (See Kit 70-0002)	N/A Sep.	3	67	Inlet Connector	23-0188	1
2	Circle Clip	46-0405	1	35	Valve Plug	46-0628	6	68	O-ring	25-0273	2
3	O-ring	25-0272	1	36	O-ring	25-0335	12	69	Manifold Plug	39-0072	1
4	Oil Seal	46-0425	1	37	Valve Complete (See Kit 70-0003)	N/A Sep.	6	70	Screw	27-8822	2
5	Spacer	46-0407	1	38	Valve Cage (See Kit 70-0003)	N/A Sep.	6	71	Manifold	46-0629	1
6	Circle Clip	46-0406	1	39	Valve Spring (See Kit 70-0003)	N/A Sep.	6	72	Screw	27-8198	1
7	Bearing-Rear	48-0036	1	40	Valve Plate (See Kit 70-0003)	N/A Sep.	6	73	Bolt	27-8857	4
8	Flange	52-0028	1	41	Valve Seat (See Kit 70-0003)	N/A Sep.	6	74	Back-up Ring	25-0247	2
9	Bearing-Front	48-0037	1	42	Screw	27-8821	2	75	By-pass Piston	46-0423	1
10	O-ring	25-0243	1	43	O-ring	25-0230	2	76	Pressure Regulator Pin (See Kit 70-0120)	N/A Sep.	1
11	Washer	46-0468	1	44	Valve Seat	46-0409	1	77	Roll Pin	46-0421	1
12	Wobble Plate	46-0625	1	45	Ball	46-0394	1	78	Back-up Ring	25-0246	1
13	Washer	28-0133	1	46	Valve Spring	46-0411	1	79	Plug (See Kit 70-0120)	N/A Sep.	1
14	Bolt	27-8432	1	47	O-ring	25-0255	3	80	Washer	46-0624	1
15	Bearing Disc-Rear	48-0047	1	48	Plug	46-0412	1	81	Pressure Regulation Spring	49-0109	1
16	Bearing	48-0048	1	49	O-ring	25-0334	1	82	Washer	46-0648	1
17	Bearing Disc-Front	48-0049	1	50	No-return Valve	46-0626	1	83	Pressure Regulation Screw	46-0623	1
18	Pump Housing	46-0426	1	51	Spring	49-0110	1	84	Screw Support	27-8853	1
19	Piston Spring Retainer	46-0362	3	52	Injector Body	46-0620	1	85	Bolt	27-8810	1
20	Piston-Ceramic	46-0578	3	53	Injector Nozzle	46-0415	1	86	Internal Screw	27-8852	1
21	Piston Spring	49-0081	3	54	O-ring	25-0263	2	87	Pressure Regulation Knob	7-0091	1
22	Kit-Oil Sight Glass	70-0175	1	55	Pressure Outlet	46-0627	1	88	Screw	27-8086	1
23	Gasket	26-0168	3	56	Spring (See Kit 852-0056)	N/A Sep.	1	89	Cap	7-0088	1
24	Oil Drain Plug	39-0065	1	57	Ball (See Kit 852-0056)	N/A Sep.	1		Oil Seal Kit (Includes 3 each 29)	70-0001	
25	Lockwasher	29-0154	8	58	O-ring (See Kit 852-0056)	N/A Sep.	1		Packing Kit (Inc. 3 each 30, 31, 33 & 34)	70-0002	
26	Bolt	27-8194	4	59	Injector Nipple	46-0417	1		Valve Kit (Inc. 6 each 36 & 37)	70-0003	
27	Oil Cap	39-0066	1	60	Injector Spring	49-0088	1		Unloader Seat (Includes 43-48)	70-0110	
28	Oil Tube Extension	46-0351	1	61	O-ring (See Kit 852-0056)	N/A Sep.	2		Unloader Stem (Includes 43, 47, 61, 74-89)	70-0120	
29	Oil Seal (See Kit 70-0001)	N/A Sep.	3	62	Injector Piston	46-0418	1		Injector Assembly (Includes 47, 49-64)	70-0005	
30	O-ring (See Kit 70-0002)	N/A Sep.	3	63	Flexible Ring	25-0277	1		Injector Repair Kit (Includes 56-58 & 61)	852-0056	
31	O-ring (See Kit 70-0002)	N/A Sep.	3	64	Injector Regulation Knob	46-0469	1		Manifold Assembly (Includes 30-64, 67-72, 74-89)	70-0006	
32	Packing Retainer	9-0060	3	65	Garden Hose Connection	23-0162	1				
33	V-Packing (See Kit 70-0002)	N/A Sep.	3	66	Gasket	26-0166	1				

GUN (16-0218) & WAND (16-0219) ASSEMBLY



GUN (16-0218) & WAND (16-0219) ASSEMBLY								
REF. #	DESCRIPTION	PART #	QTY.		REF. #	DESCRIPTION	PART #	QTY.
1	Screw	27-8850	7		29	Engagement Pin (See 16-0257)	N/A Sep.	1
2	Plastic Housing (Left side)	16-0253	1		30	Back-up Ring (See 16-0257)	N/A Sep.	1
3	Housing-Brass	16-0251	1		31	O-ring (See 16-0257)	N/A Sep.	1
4	Pipe	16-0252	1		32	O-ring	25-0318	1
5	Coupler	16-0255	1		33	Nipple	16-0222	1
6	Trigger Safety Lock	16-0256	1		34	Pipe	16-0224	1
7	Trigger	16-0254	1		35	Wand Protector	16-0293	1
8	Trigger Pin	16-0245	1		36	Nozzle Holder (See 18-0252)	N/A Sep.	1
9	Trigger Spring	49-0100	1		37	Back-up Ring (See 18-0252)	N/A Sep.	1
10	Plastic Housing with Warning (Right Side)	16-0243	1		38	O-ring (See 18-0252)	N/A Sep.	1
11	Pin	16-0250	1		39	Pin (See 18-0252)	N/A Sep.	1
12	Bushing	16-0232	1		40	Slide Adapter (See 18-0252)	N/A Sep.	1
13	Plug (See Kit 70-0060)	N/A Sep.	1		41	O-ring (See 18-0252)	N/A Sep.	1
14	O-ring (See Kit 70-0060)	N/A Sep.	1		42	Seal (See 18-0252)	N/A Sep.	1
15	Spring (See Kit 70-0060)	N/A Sep.	1		43	Nozzle Orifice 1.20mm	18-0250	1
16	Ball (See Kit 70-0060)	N/A Sep.	1		44	Variable Nozzle Body (See 18-0252)	N/A Sep.	1
17	O-ring (See Kit 70-0060)	N/A Sep.	1		45	O-ring (See 18-0252)	N/A Sep.	2
18	Seat (See Kit 70-0060)	N/A Sep.	1		46	Spring (See 18-0252)	N/A Sep.	1
19	Pin (See Kit 70-0060)	N/A Sep.	1		47	Pin (See 18-0252)	N/A Sep.	1
20	Washer (See Kit 70-0060)	N/A Sep.	1		48	Angle Regulator (See 18-0252)	N/A Sep.	1
21	O-ring (See Kit 70-0060)	N/A Sep.	1		49	Nozzle Cover (See 18-0252)	N/A Sep.	1
22	Back-up Ring (See Kit 70-0060)	N/A Sep.	1		50	Pin (See 18-0252)	N/A Sep.	1
23	Gun/Wand Connector	16-0182	2		51	Nozzle ID Pin (Brown)	N/A	1
24	Pipe	16-0224	1			Gun w/Screw Lance (Includes items 1-31)	16-0218	1
25	Wand Protector	16-0293	1			Gun Repair Kit (Includes items 13-22)	70-0060	1
26	Plastic Protector	16-0226	2			Gun/Wand Connector Assy. (Includes 27-31)	16-0257	1
27	Snap Ring (See 16-0257)	N/A Sep.	1			Variable Nozzle Assembly (Includes 32-50)	16-0219	1
28	Hand Wheel (See 16-0257)	N/A Sep.	1			Adjustable Nozzle Assy. (Includes 36-50)	18-0252	1
Must order 16-0218 & 16-0219 for complete Gun & Wand Assembly								

