

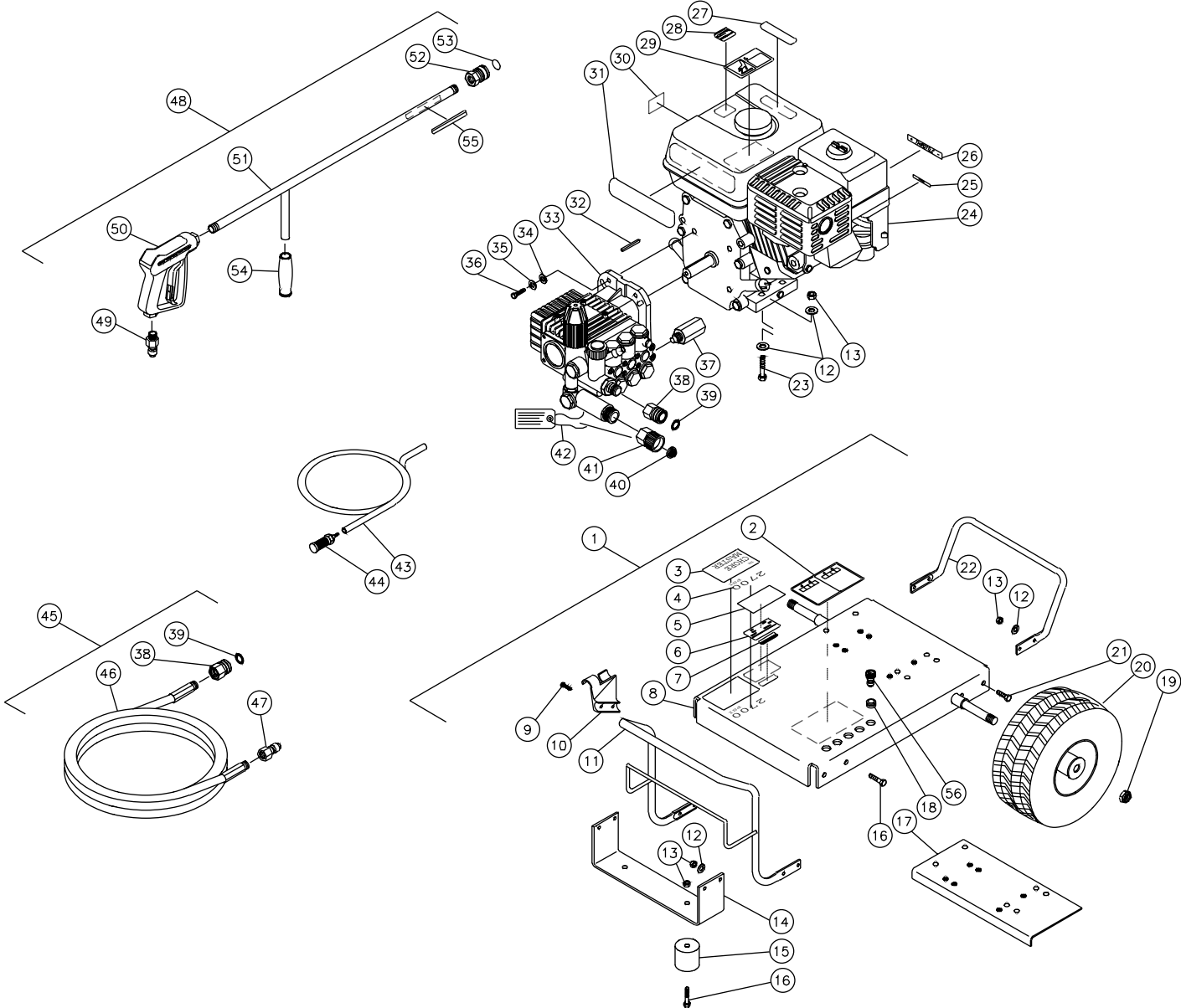
Mi-T-M[®] CORPORATION

8650 Enterprise Drive, Peosta IA 52068
319-556-7484 / Fax 319-556-1235

CM-2703-0MHB PARTS LIST

Engine Oil Grade:	30W SE/SF/SG
Honda Oil Capacity:	20 oz.
Pump Oil Grade:	Mi-T-M #AW-4085-0016
Pump Oil Capacity:	18 oz.
Nozzle Size:	3.0

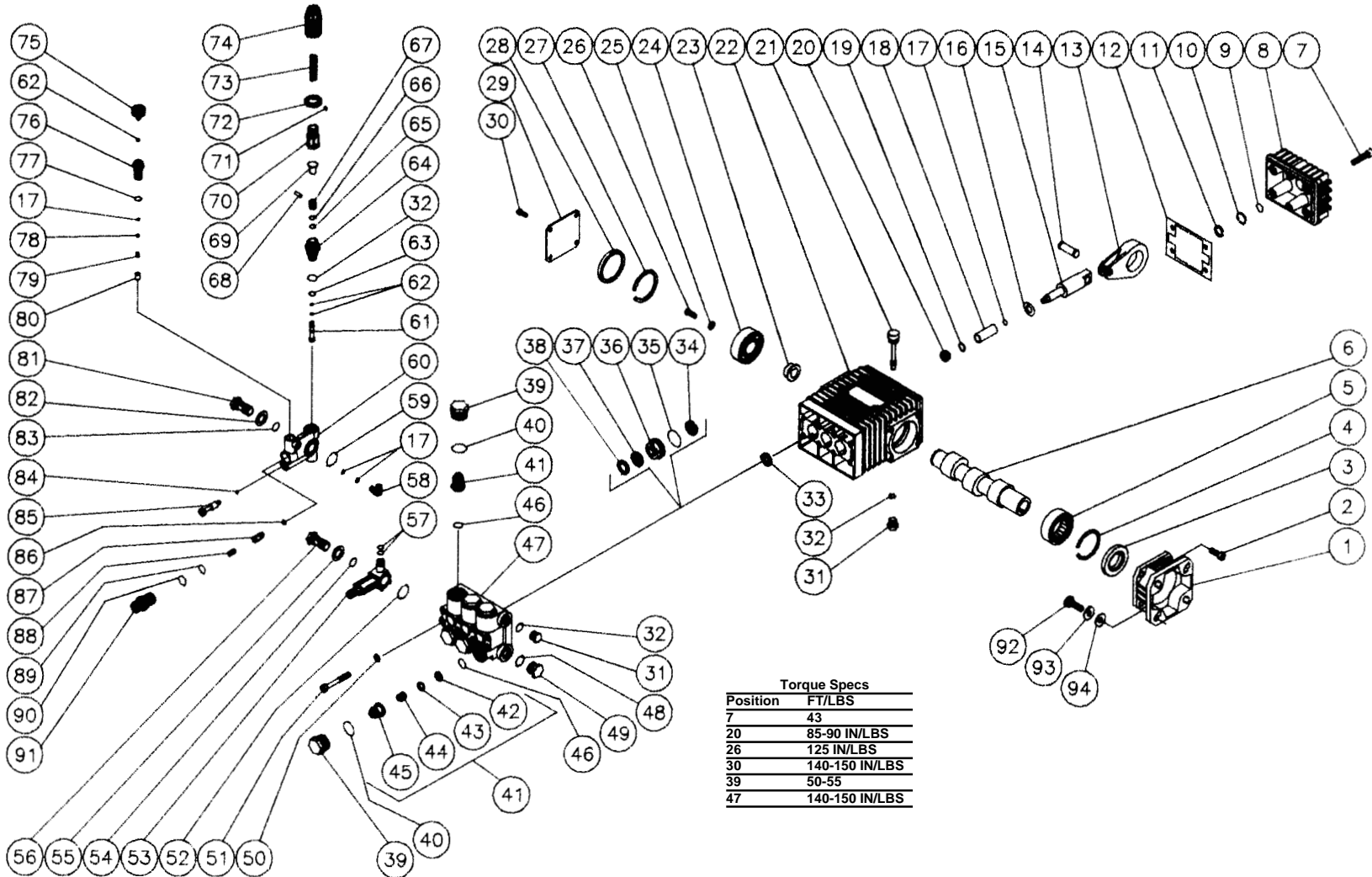
FRAME ASSEMBLY FOR CM-2703-0MHB



OMCH038 / 050996DCE

FRAME ASSEMBLY FOR CM-2703-0MHB								
REF. #	DESCRIPTION	PART #	QTY.		REF. #	DESCRIPTION	PART #	QTY.
1	Base Plate Assembly	852-0003	1		31	Decal-Operating Instructions	34-0584	1
2	Decal-Caution/Warning	34-0498	1		32	Key	43-0073	1
3	Decal-Chore Master Logo	34-0706	1		33	Pump	3-0140	1
4	Decal-Diecut	34-0713	1		34	Washer	28-0022	4
5	Decal-Clear Laminate	34-0210	1		35	Lockwasher	29-0007	4
6	Decal-Silver Sticker I.D.	N/A	1		36	Bolt	27-0092	4
7	Decal-Cold Water Serial Number	34-0289	1		37	Heat Dump Valve	22-0005	1
8	Base Plate	5-0062	1		38	Quick Connect Socket	17-0004	2
9	Screw	27-3062	2		39	O-ring	25-0123	2
10	Wand Holder	62-0085	1		40	Filter	19-0001	1
11	Handle	7-0100	1		41	Garden Hose Swivel	23-0001	1
12	Washer	28-0003	16		42	Tag-Water Supply Inlet	34-0097	1
13	Locknut	30-0157	14		43	Detergent Hose *(4' required)	15-0021	1
14	Underbracket	13-0002	1		44	Detergent Strainer	19-0050	1
15	Isolator	14-0008	2		45	Hose Assembly	851-0007	1
16	Bolt	27-0068	6		46	Pressure Hose	15-0003	1
17	Support Bracket	5-0108	1		47	Quick Connect Plug	17-0006	1
18	Grommet	33-0002	5		48	Gun/Wand Assembly	851-0095	1
19	Jam Nut	30-0117	2		49	Quick Connect Plug	17-0005	1
20	Wheel	14-0017	2		50	Gun Assembly	16-0001	1
21	Bolt	27-0067	4		51	Wand with Handle	16-0120	1
22	Rear Handle	7-0103	1		52	Quick Connect Socket	17-0001	1
23	Bolt	27-0071	4		53	O-ring	25-0122	2
24	Engine	1-0088	1		54	Grip Handle	7-0002	1
25	Choke Lever	34-0458	1		55	Decal-Warning: Risk of Injection	34-0572	1
26	Throttle	34-0459	1		56	Spray Nozzle - 0003	18-0302	1
27	Decal-Technical Service Number	34-0603	1			Spray Nozzle - 1503	18-0150	1
28	Decal-Caution: Allow to Cool	34-0588	1			Spray Nozzle - 2503	18-0303	1
29	Decal-Warning: Muffler Hot	34-0130	1			Spray Nozzle - 6540	18-0148	1
30	Decal-American Flag	34-0521	1		*Must order in one foot lengths			

PUMP ASSEMBLY (3-0140)



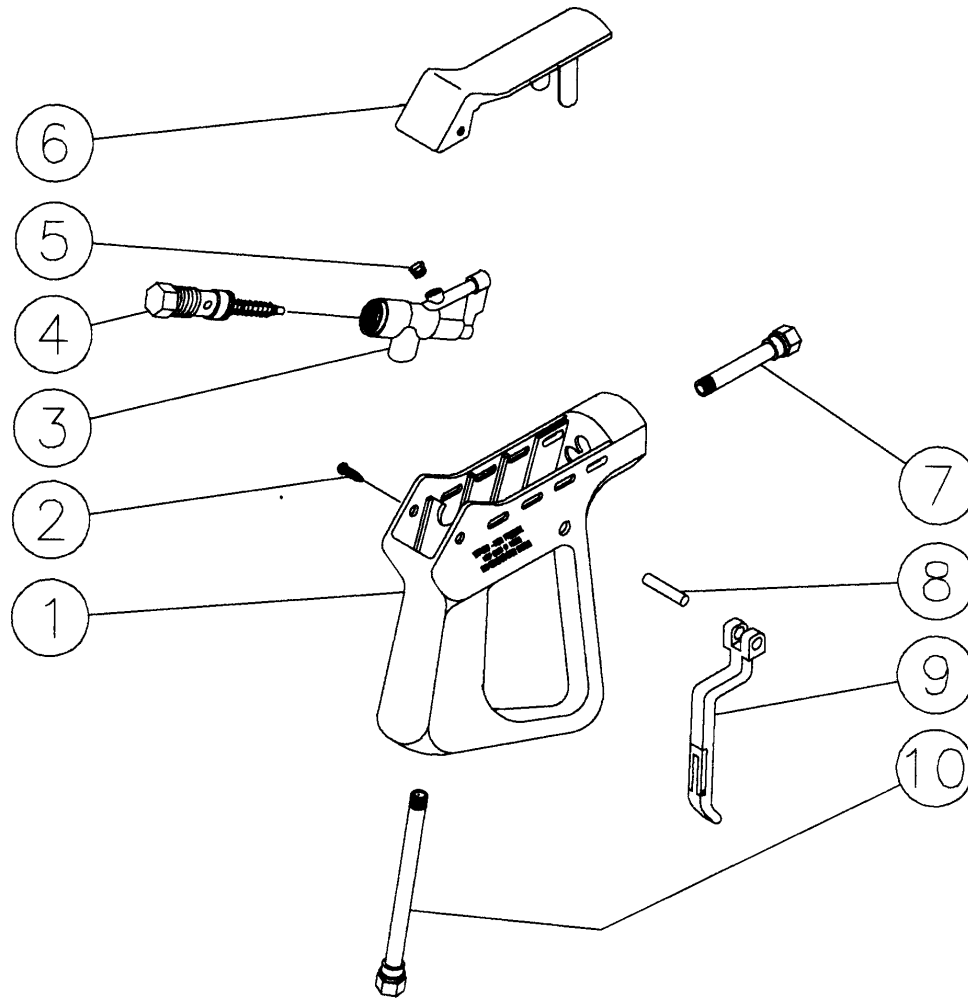
Torque Specs	
Position	FT/LBS
7	43
20	85-90 IN/LBS
26	125 IN/LBS
30	140-150 IN/LBS
39	50-55
47	140-150 IN/LBS

OMPMP034 / 050795JTR

PUMP ASSEMBLY (3-0140)

REF #	DESCRIPTION	PART #	QTY	REF #	DESCRIPTION	PART #	QTY	REF #	DESCRIPTION	PART #	QTY
1	Flange	38-0047	1	34	Vacuum Cup (See 70-0163)	N/A Sep.	3	67	Poppet	8-0415	1
2	Bolt	27-8872	4	35	O-ring (See 70-0163)	N/A Sep.	3	68	Poppet Pin	43-0087	1
3	Oil Seal (See 70-0162)	N/A Sep.	1	36	Packing Retainer	46-0678	3	69	Spring Button	8-0416	1
4	Retaining Ring	46-0667	1	37	V-packing (See 70-0163)	N/A Sep.	3	70	Guide Spring	8-0417	1
5	Needle Bearing	48-0059	1	38	Head Ring (See 70-0163)	N/A Sep.	3	71	Set Screw	27-8876	1
6	Crankshaft	46-0668	1	39	Valve Cap	39-0087	6	72	Locknut	30-6015	1
7	Bolt	27-8873	6	40	O-ring	25-0160	6	73	Spring	49-0119	1
8	Crankcase Cover	46-0669	1	41	Valve Assy. (42-45) (See 70-0161)	N/A Sep.	6	74	Unloader Knob	7-0137	1
9	O-ring	25-0370	1	42	Valve Seat (See 70-0161)	N/A Sep.	6	75	Adjustable Detergent Knob	7-0138	1
10	Oil Sight Glass	46-0670	1	43	Valve Plate (See 70-0161)	N/A Sep.	6	76	Injector Body	8-0418	1
11	Spring Retainer	46-0671	1	44	Valve Spring (See 70-0161)	N/A Sep.	6	77	O-ring (See 70-0165)	N/A Sep.	1
12	Gasket (See 70-0162)	N/A Sep.	1	45	Valve Cage (See 70-0161)	N/A Sep.	6	78	Ball (See 70-0165)	N/A Sep.	1
13	Connecting Rod	46-0672	3	46	O-ring (See 70-0161)	N/A Sep.	6	79	Spring (See 70-0165)	N/A Sep.	1
14	Wrist Pin	43-0086	3	47	Manifold	46-0679	1	80	Valve Cage (See 70-0165)	N/A Sep.	1
15	Plunger Guide	46-0673	3	48	O-ring	25-0372	1	81	Port Adapter	8-0419	1
16	Slinger Washer	28-1027	3	49	Valve Port Plug	39-0088	1	82	Washer	28-1024	1
17	O-ring	25-0371	4	50	Washer	29-0014	8	83	O-ring (See 70-0165)	N/A Sep.	2
18	Plunger	46-0674	3	51	Bolt	27-8875	8	84	O-ring (See 70-0165)	N/A Sep.	1
19	Seal	26-0187	3	52	O-ring (See 70-0164)	N/A Sep.	1	85	Plug	39-0089	1
20	Nut	30-6016	3	53	Inlet By-pass Adapter	51-0018	1	86	O-ring (See 70-0165)	N/A Sep.	1
21	Oil Dipstick	39-0090	1	54	O-ring (See 70-0164)	N/A Sep.	1	87	Check Valve (See 70-0165)	N/A Sep.	1
22	Crankcase	46-0675	1	55	Washer	28-1023	1	88	Spring (See 70-0165)	N/A Sep.	1
23	Shaft Retainer	9-0062	1	56	Inlet Port Adapter	8-0410	1	89	O-ring (See 70-0165)	N/A Sep.	1
24	Ball Bearing	48-0060	1	57	O-ring (See 70-0164)	N/A Sep.	2	90	O-ring (See 70-0165)	N/A Sep.	1
25	Washer	28-1025	1	58	Detergent Injector	8-0411	1	91	Port Adapter	8-0420	1
26	Bolt	27-8405	1	59	O-ring (See 70-0164)	N/A Sep.	1	92	Bolt	27-0092	4
27	Retaining Ring	46-0676	1	60	Unloader Body	8-0412	1	93	Lockwasher	29-0007	4
28	Plug	46-0677	1	61	Piston	8-0413	1	94	Flatwasher	28-0022	
29	Cover	20-0375	1	62	O-ring (See 70-0164)	N/A Sep.	3		Valve Kit (Includes 42-46)	70-0161	
30	Bolt	27-8874	4	63	O-ring (See 70-0164)	N/A Sep.	1		Oil Seal Kit (Includes 3, 12, 33)	70-0162	
31	Drain Plug	39-0086	1	64	Piston Guide	8-0414	1		Packing Kit (Includes 34, 35, 37, 38)	70-0163	
32	O-ring	25-0325	1	65	O-ring (See 70-0164)	N/A Sep.	1		Unloader Repair Kit (17, 32, 52, 54, 57, 59, 62, 63, 65, 66, 77, 78, 79, 83, 84, 86-90)	70-0164	
33	Oil Seal (See 70-0162)	N/A Sep.	3	66	Back-up Ring (See 70-0164)	N/A Sep.	1		Injector Repair Kit (17, 77-80)	70-0165	

GUN ASSEMBLY (16-0001)



GUN ASSEMBLY (16-0001)			
Ref. #	Description	Part #	Qty.
1	Plastic Housing	16-0008	1
2	Screw	27-3230	2
3	Brass Housing	16-0012	1
4	Gun Repair Kit	70-0055	1
5	Brass Plug	39-0024	1
6	Plastic Cover	16-0009	1
7	Pipe Assembly	16-0013	1
8	Trigger Pin	16-0063	1
9	Trigger Safety Lock-off	16-0010	1
10	Pipe Assembly-Inlet	16-0016	1
	Gun Assembly Complete	16-0001	1

