

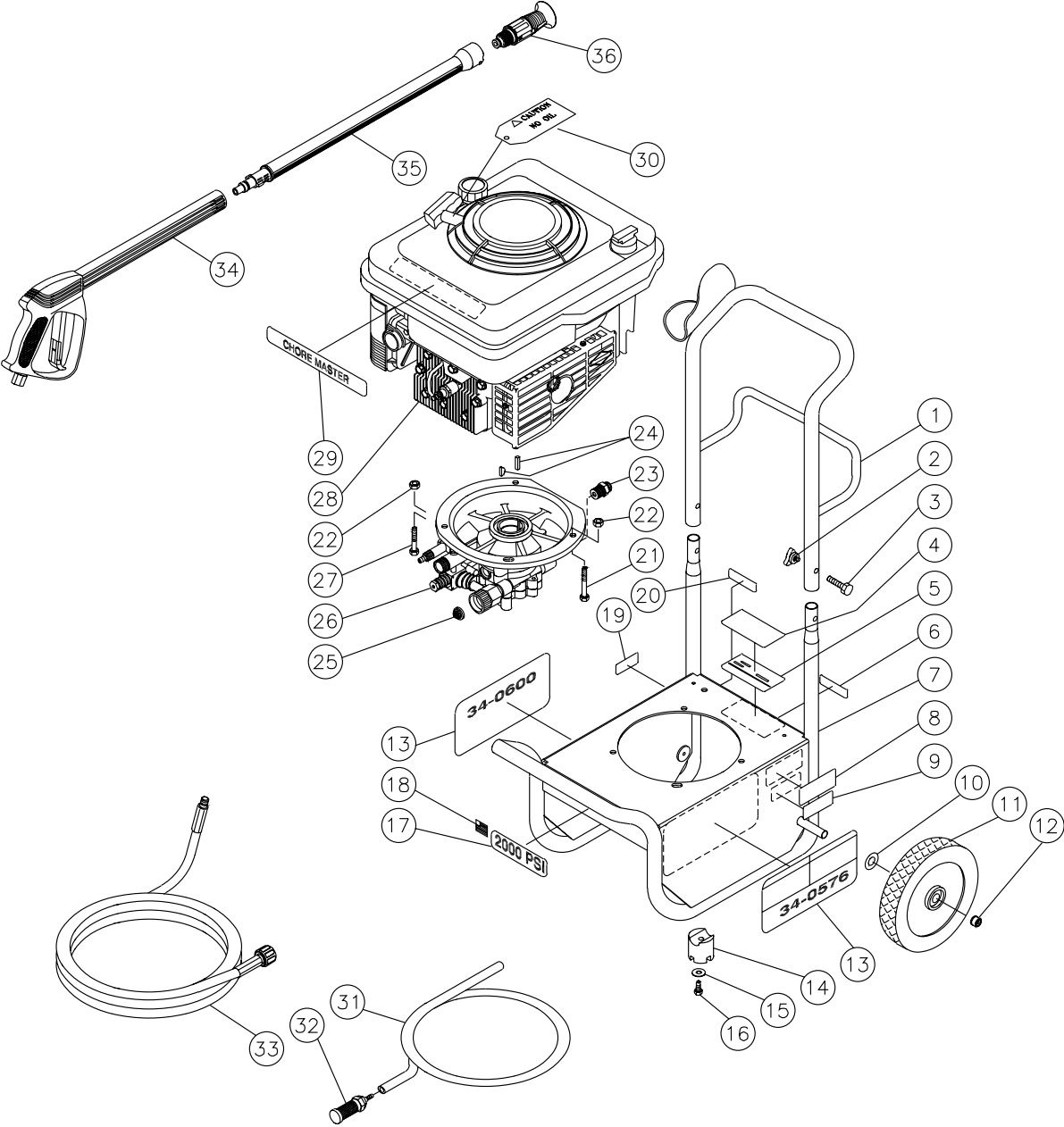
Mi-T-M[®] CORPORATION

8650 Enterprise Drive, Peosta IA 52068-0050
319-556-7484 / Fax 319-556-1235

CV-2000-1MBC PARTS LIST

ENGINE OIL GRADE:	SAE 30W
ENGINE OIL CAPACITY:	20 oz.
PUMP OIL GRADE:	MI-T-M PUMP OIL #AW-4085-0016
PUMP OIL CAPACITY (SEALED):	4.5 oz.
PRESSURE NOZZLE SIZE:	1.20

FRAME ASSEMBLY FOR CV-2000-1MBC

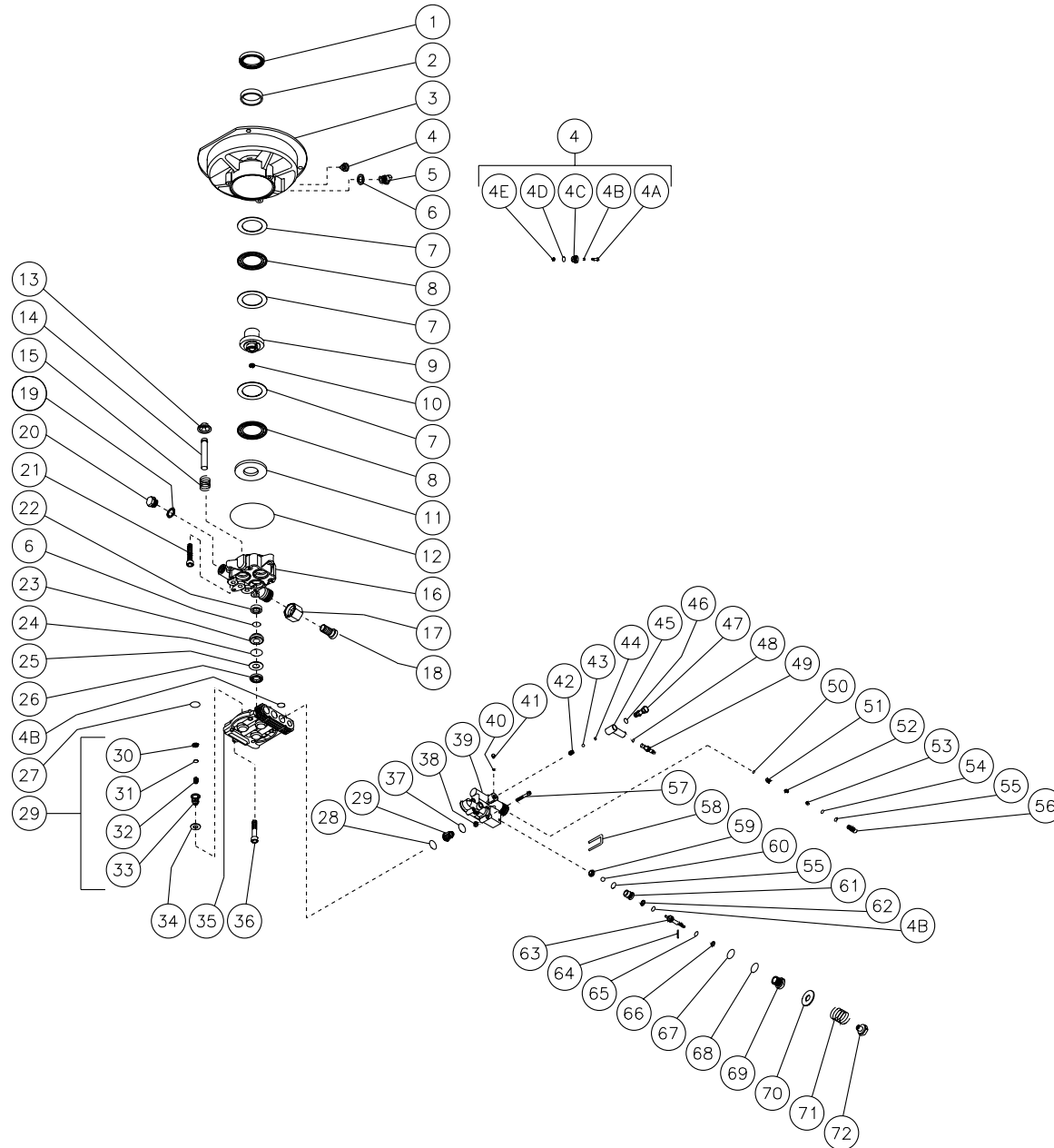


OMCV039-011698-DCE

©Copyright 1998, Mi-T-M Corporation

FRAME ASSEMBLY FOR CV-2000-1MBC								
REF. #	DESCRIPTION	PART #	QTY.		REF. #	DESCRIPTION	PART #	QTY.
1	Handle	7-0116A01	1		20	Decal-Technical Service Number	34-0603	1
2	Knob	7-0115	2		21	Bolt	27-0074	1
3	Bolt	27-0017	2		22	Locknut	30-0157	3
4	Clear Laminate	34-0210	1		23	Heat Dump Valve	22-0114	1
5	Silver Sticker I.D.	34-0486	1		24	Key-Woodruff	43-0081	1
6	Cold Water Serial Number	N/A	1		--	Key-Square	43-0085	1
7	Frame Assembly	5-0116A01	1		25	Filter	19-0001	1
8	Decal-Warning: Muffler Hot E/S	34-0598	1		26	Pump	3-0152	1
9	Decal-CV Patent	34-0736	1		27	Bolt	27-0069	2
10	Washer	28-0006	5		28	Engine	1-0100	1
11	Wheel	14-0051	2		29	Decal-Chore Master	34-0590	1
12	Hub Cap	33-0055	2		30	Tag-Shipped Without Oil	34-0732	1
13	Decal-Warn/Caution/Operate English	34-0576	1		31	Detergent Hose *(4 feet required)	15-0021	1
--	Decal-Warn/Caution/Operate Spanish	34-0600	1		32	Detergent Strainer	19-0050	1
14	Isolator	14-0063	2		33	Pressure Hose	15-0167	1
15	Washer	28-0021	2		34	Gun Assembly	16-0337	1
16	Screw	27-3096	2		35	Lance Assembly	16-0338	1
17	Decal-Die Cut: 2000 PSI	34-0592	1		36	Variable Nozzle Assembly	18-0312	1
18	Decal-American Flag	34-0521	1			*Must order in one foot lengths.		
19	Decal-Caution: Allow to Cool E/S	34-0599	1					

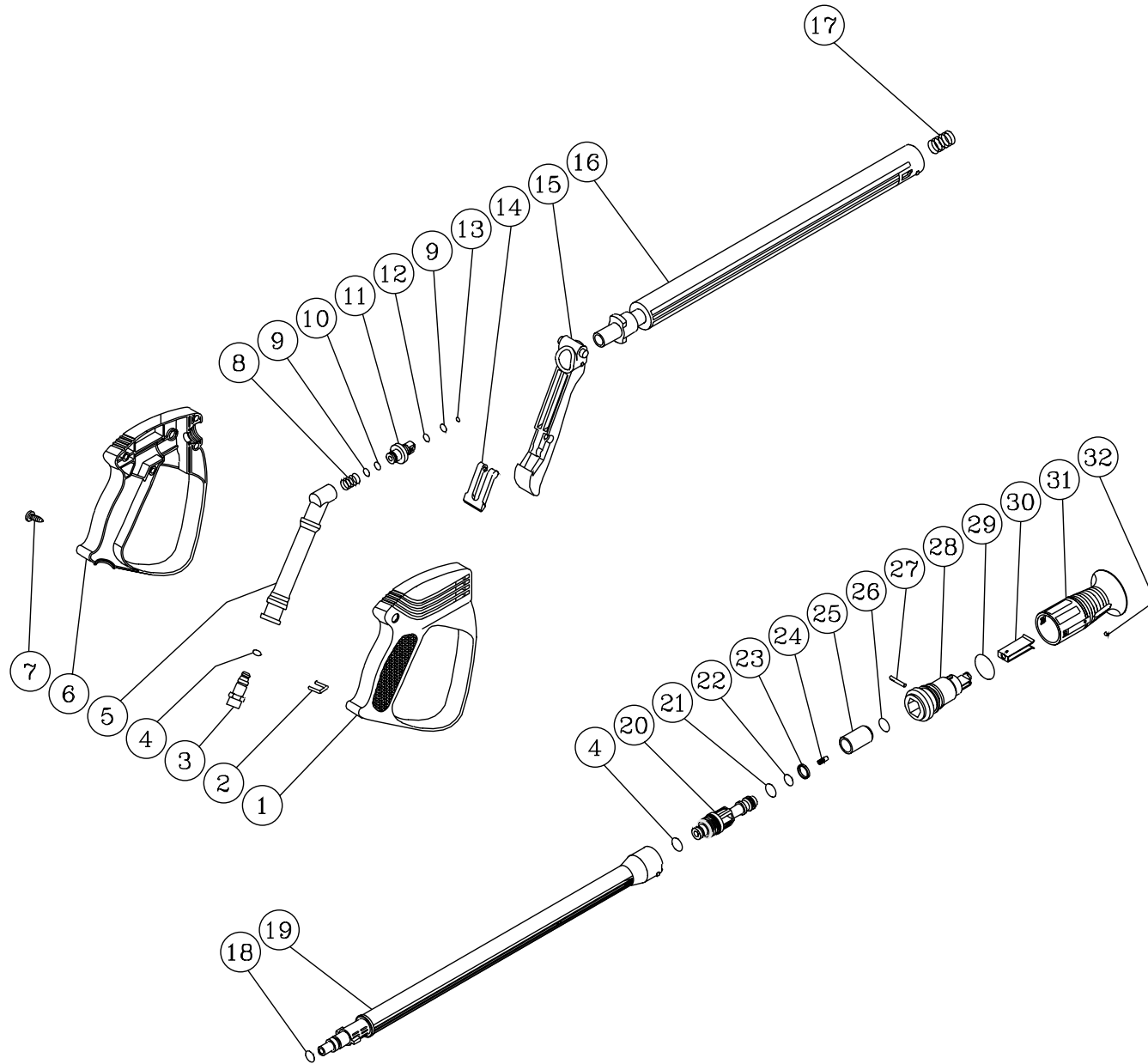
PUMP ASSEMBLY (3-0152)



OMPMP043-110797-DCE

PUMP ASSEMBLY (3-0152)											
REF #	DESCRIPTION	PART #	QTY	REF #	DESCRIPTION	PART #	QTY	REF #	DESCRIPTION	PART #	QTY
1	Oil Seal (See 70-0189)	N/A Sep.	1	25	Backup Ring	25-0422	3	54	O-ring	25-0362	1
2	Bushing (See 70-0189)	N/A Sep.	1	26	U Pressure Seal	46-0744	3	55	O-ring	25-0248	2
3	Flange (See 70-0189)	N/A Sep.	1	27	O-ring	25-0359	3	56	Injector Body	46-0360	1
4	Oil Vent Assembly (4A-4E)	22-0223	1	28	O-ring	25-0360	3	57	Bolt	27-8893	4
4A	Oil Vent	N/A Sep.	1	29	Valve Complete (See 70-0191, Inc. 27-29)	N/A Sep.	6	58	U-Clip	46-0741	1
4B	O-ring	25-0230	3	30	Valve Seat	N/A Sep.	6	59	Valve Seat Plate	46-0686	1
4C	Oil Vent	N/A Sep.	1	31	Valve Plate	N/A Sep.	6	60	Ball	46-0685	1
4D	O-ring	N/A Sep.	1	32	Valve Spring	N/A Sep.	6	61	Unloader Seat	46-0352	1
4E	Oil Vent-Spring	N/A Sep.	1	33	Valve Cage-Plastic	N/A Sep.	6	62	Backup Ring	25-0247	1
5	Oil Sight Glass-Plastic	46-0735	1	34	Shim	46-0745	3	63	Piston Bypass Valve (See 70-0193)	N/A Sep.	1
6	O-ring	25-0255	1	35	Pump Head	46-0658	1	64	Roll Pin	46-0364	1
7	Thrust Washer	48-0056	3	36	Bolt	27-8892	5	65	O-ring	25-0242	1
8	Thrust Needle Roller Bearing	48-0057	2	37	O-ring	25-0361	4	66	Backup Ring	25-0246	1
9	Wobble Plate - 8.5	46-0742	1	38	Plug	27-8868	1	67	O-ring	25-0231	1
10	Plug	39-0082	1	39	Pump Manifold	46-0740	1	68	O-ring	25-0263	1
11	Thrust Washer	48-0064	1	40	O-ring	25-0357	1	69	Body Bypass Valve	8-0470	1
12	O-ring	25-0358	1	41	Bolt	27-8894	1	70	Washer	28-0295	1
13	Retainer	46-0663	3	42	Detergent Injector Spring (See 70-0102)	N/A Sep.	1	71	Pressure Regulating Spring - 2000 PSI	49-0131	1
14	Piston-Stainless Steel	46-0664	3	43	Detergent Injector Ball (See 70-0102)	N/A Sep.	1	72	Pressure Regulating Nut	8-0471	1
15	Spring	49-0129	3	44	O-ring (See 70-0102)	N/A Sep.	1		Flange Assembly (Includes 1-3)	70-0189	
16	Pump Housing w/Heat Dump Port	46-0746	1	45	Detergent Injector Adapter	46-0636	1		Piston Assembly (Includes 13-14)	70-0190	
17	Garden Hose Connection	23-0304	1	46	O-ring (See 70-0102)	N/A Sep.	1		Packing Kit (Includes 3 ea 24-26)	70-0195	
18	Garden Hose Adapter	23-0305	1	47	Banjo Fitting	46-0637	1		Valve Kit (Includes 27-29)	70-0191	
19	Gasket	26-0168	1	48	O-ring	25-0341	1		Injector Repair Kit (Inc. 42-44, 46)	70-0102	
20	Plug	39-0098	1	49	Hose Barb - Detergent Injector	46-0638	1		Unloader Check Valve Kit (Inc. 50-56)	70-0108	
21	Bolt	27-8404	3	50	O-ring	25-0334	1		Unloader Seat Kit (Includes 55, 59-61)	70-0192	
22	Oil Seal	26-0195	3	51	Check Valve	22-0158	1		Unloader Stem Kit (Inc. 4B, 62-72)	70-0193	
23	Retainer	46-0737	3	52	Spring - Check Valve	49-0130	1		Manifold Assy. (Inc. 4B, 38-47, 50-72)	70-0194	
24	O-ring	25-0399	3	53	Injector Nozzle	46-0356	1				

GUN (16-0337) & LANCE (16-0338) ASSEMBLY



OMGEN234A-012797-JTR

GUN (16-0337) & LANCE (16-0338) ASSEMBLY							
REF. #	DESCRIPTION	PART #	QTY.	REF. #	DESCRIPTION	PART #	QTY.
1	Plastic Housing-Right Side	62-0101	1	19	Lance (See 16-0338)	N/A Sep.	1
2	U-Clip	16-0340	1	20	Nozzle Body	18-0315	1
3	Inlet Adapter	23-0303	1	21	O-ring	25-0345	1
4	O-ring	25-0364	2	22	O-ring	25-0343	1
5	Inlet Tube	16-0339	1	23	Back-up Ring	25-0344	1
6	Plastic Housing-Left Side	62-0102	1	24	Nozzle - 1.20mm	18-0237	1
7	Screw	27-8382	6	25	Sleeve (See 18-0312)	N/A Sep.	1
8	Spring	49-0117	1	26	O-ring	25-0419	1
9	O-ring	25-0415	2	27	Pin	43-0083	1
10	Back-up Ring	25-0416	1	28	Housing-Plastic (See 18-0312)	N/A Sep.	1
11	Valve (See 70-0188)	N/A Sep.	1	29	O-ring	25-0342	1
12	Back-up RIng	25-0417	1	30	Nozzle Angle Plate	18-0283	1
13	O-ring	25-0253	1	31	Nozzle Protector	18-0301	1
14	Trigger Safety Lock	62-0097	1	32	I.D. Pin - Yellow	18-0286	1
15	Trigger	62-0098	1		Gun Assembly (1-17)	16-0337	
16	Wand	16-0341	1		Lance Assembly (18-19)	16-0338	
17	Spring	49-0128	1		Nozzle Assembly (4, 20-32)	18-0312	
18	O-ring	25-0418	1		Gun Repair Kit (8-13)	70-0188	

