

The **Chore Master**[®] by Mi-T-M[®]

PARTS LIST FOR CV-2100-0MBC

Engine Oil Grade:	Above 40°F=SAE 30 Below 40°F=SAE10W-30
Engine Oil Capacity:	20 oz.
Pump Oil Grade:	Mi-T-M Pump Oil #AW-4085-0016
Pump Oil Capacity:	4.5 oz.
Nozzle Size:	1.20 mm

This Parts Listing has been compiled for your benefit. You can be assured your Mi-T-M Cold Water Pressure Washer was constructed and designed with quality and performance in mind using over 25 years experience in the pressure washer business. Each component has been rigorously tested to insure the highest level of acceptance.

The contents of this Parts Listing are based on the latest product information available at the time of publication. Mi-T-M reserves the right to make changes in price, color, materials, equipment, specifications or models at any time without notice.

WARNING

THIS IS A PROFESSIONAL HIGH PRESSURE, COLD WATER PRESSURE WASHER. CAUTION SHOULD BE OBSERVED WHEN USING OR REPAIRING THIS UNIT! READ AND FOLLOW THE SAFETY WARNINGS LISTED BELOW BEFORE ATTEMPTING ANY REPAIRS ON THIS PRESSURE WASHER!

SAFETY WARNINGS

1. NEVER alter or modify the equipment. Be sure any accessory items and system components being used will withstand the pressure developed. Use only genuine Mi-T-M parts for repair of your pressure washer. Failure to do so can cause hazardous operating conditions and will VOID warranty.
2. NEVER make adjustments on machinery while the unit is connected to the power source. Turning over the machinery by hand during adjustment or cleaning might start the machinery, causing serious injury to the operator.
3. Know how to stop and bleed pressures quickly. Be thoroughly familiar with controls.
4. Before servicing the unit, turn unit off, relieve the water pressure and allow the unit to cool down. Do not make repairs while the unit is running. Service in a clean, dry, flat area.
5. After testing the machine, DO NOT leave the pressurized unit unattended. Shut off the unit and release trapped pressure before leaving.

Table of Contents

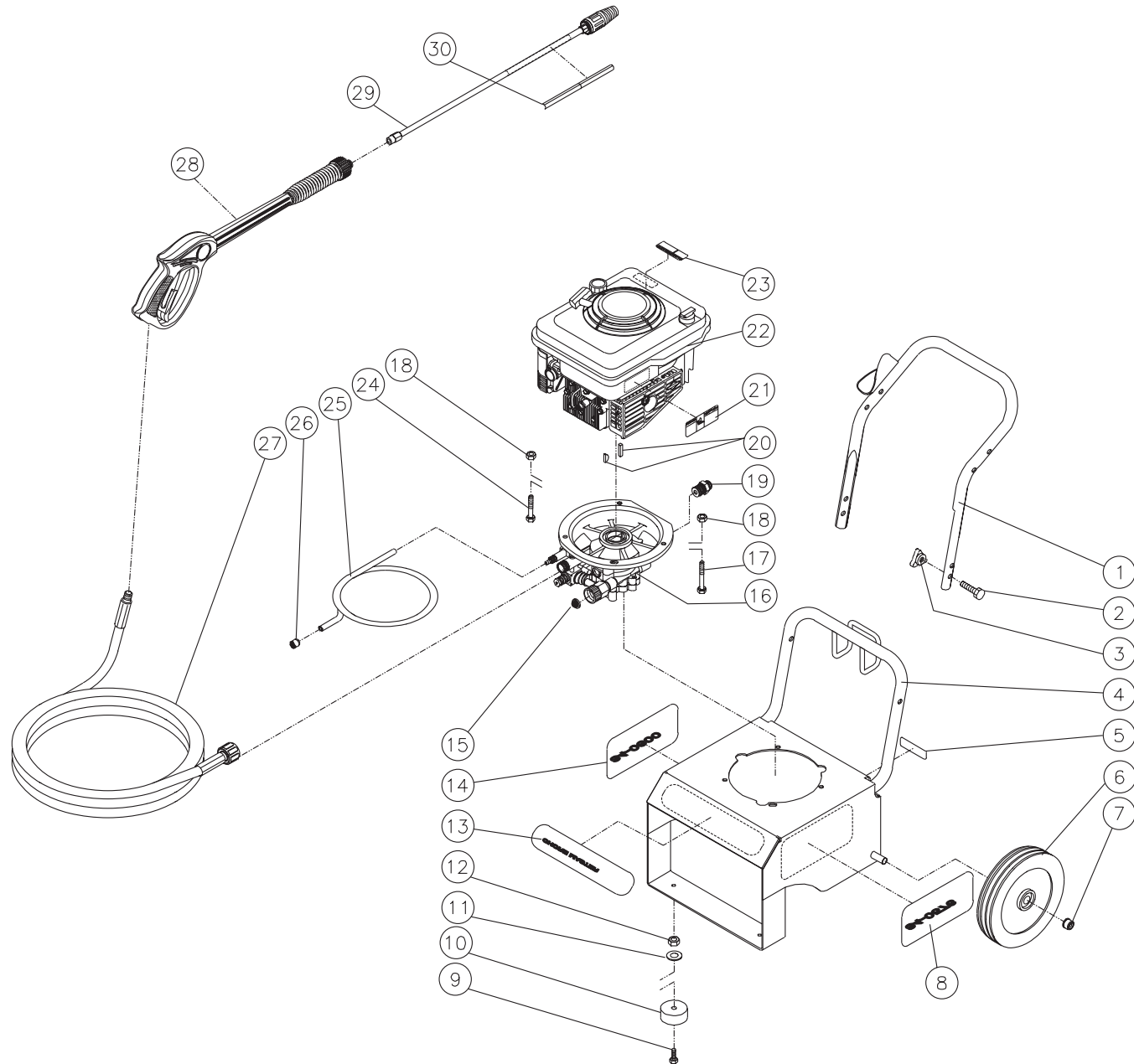
SPECIFICATIONS	3
FRAME ASSEMBLY FOR CV-2100-0MBC	4
PUMP ASSEMBLY (3-0152)	6
GUN/ WAND ASSEMBLY (16-0365)	8
LANCE ASSEMBLY (16-0388)	10

SPECIFICATIONS

CV-2100-0MBC

MODEL NUMBER	CV-2100-0MBC
Operating Pressure (PSI/Bar):	2100/144.5
High Pressure Nozzle:	1.20 mm
Water Volume (GPM/lpm):	2.0/7.6
Engine:	Briggs & Stratton
Horsepower	6.0
Engine Type	4 Stroke, Overhead Valve, Single Cylinder
Oil Type	Above 40 F=SAE30/Below 40 F=SAE10W-30
Oil Capacity (oz./liters)	20/6
Fuel Type	Unleaded Gasoline 86 Octane Minimum
Fuel Capacity (gallon/ liters)	.38/1.42
Starting	Recoil
Maximum No Load RPM	3600 (+/- 100) RPM
Pump:	Direct Driven, Oil Bath, Triplex Axial Piston
Oil Type	Mi-T-M Pump Oil #AW-4085-0016
Oil Capacity (oz./liters)	4.5/13
Plungers	Stainless Steel
Manifold	Aluminum
Valves	Stainless Steel
Unloader	Preset
Detergent Injector	Low pressure down stream from pump
Unit Net Weight (lbs/Kg)	60/27
Unit Shipping Weight (lbs/Kg)	75/34
Unit Net Dimension (in/cm)	21.5Lx16.5Wx21.5H/ 54.5Lx42Wx54.5H
Unit Shipping Dimension (in/cm)	24.75Lx17.5Wx23H/ 63Lx44.5Wx58H

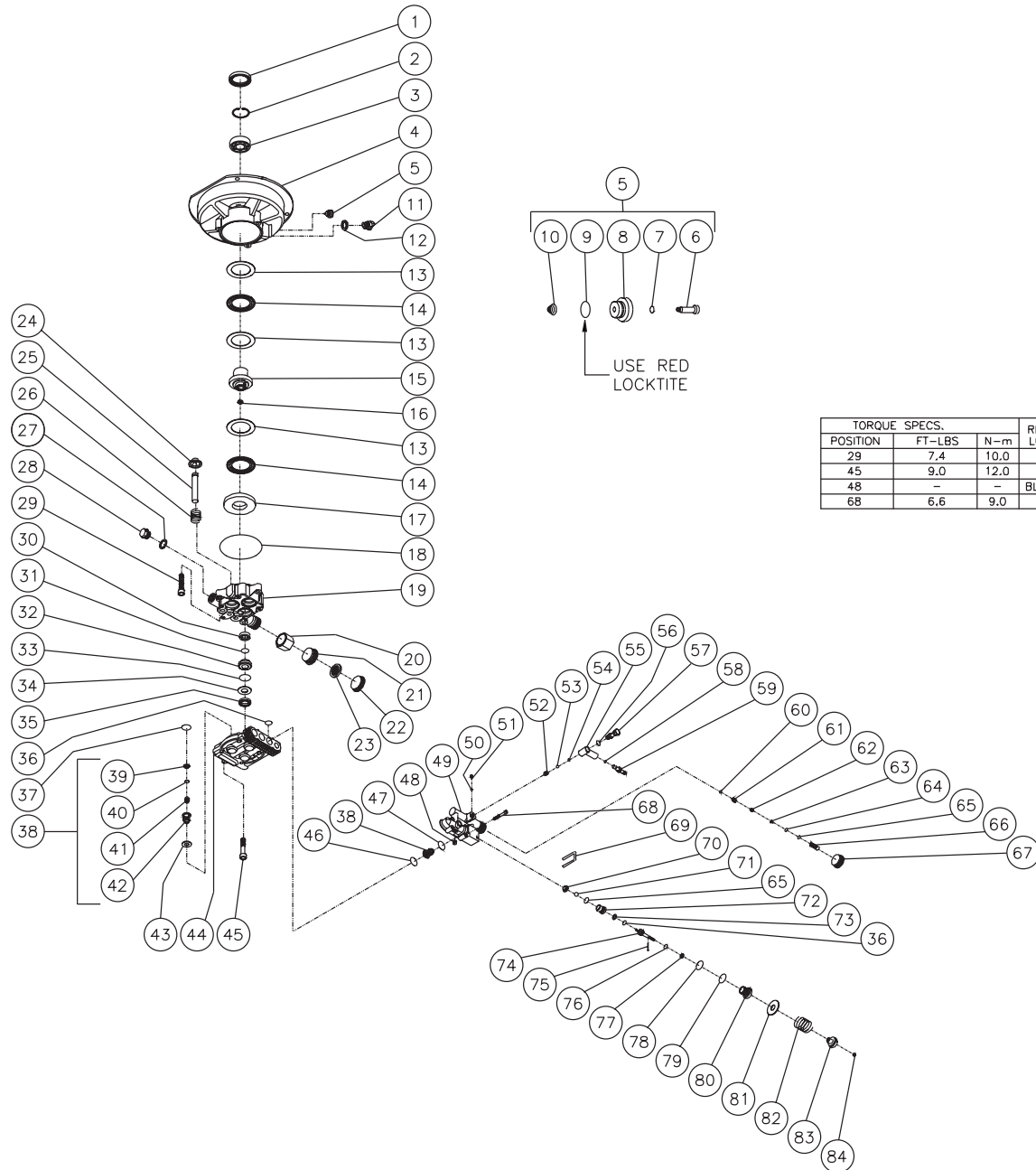
FRAME ASSEMBLY FOR CV-2100-0MBC



CV-2100-0MBC-011102-RD

FRAME ASSEMBLY FOR CV-2100-0MBC								
REF. #	DESCRIPTION	PART #	QTY.		REF. #	DESCRIPTION	PART #	QTY.
1	Handle	7-0165A01	1		17	Bolt	27-0070	2
2	Bolt	31-0051	2		18	Locknut	30-0157	3
3	Knob	7-0107	2		19	Heat Dump Valve	22-0114	1
4	Frame Assembly	5-0168A01	1		20	Key-Woodruff	43-0081	1
5	Decal- Data Plate	N/A	1		-	Key-Square	43-0085	1
6	Wheel	14-0077	2		21	Decal- Warning: Muffler Hot (E/S)	34-0598	1
7	Hub Cap	33-0055	2		22	Engine- 6.0 HP Briggs & Stratton	1-0078	1
8	Decal- Warn/Caution/Oper. (English only)	34-0576	1		23	Decal- Caution: Allow to Cool (E/S)	34-0599	1
9	Bolt	27-0015	2		24	Bolt	27-0074	1
10	Isolator	14-0069	2		25	Detergent Hose *(Four Feet Required)	15-0021	1
11	Washer	28-0002	2		26	Detergent Strainer	19-0050	1
12	Locknut	30-0155	2		27	Pressure Hose	15-0167	1
13	Decal- Choremaster	34-1186	1		28	Gun	16-0365	1
14	Decal- Warn/Caution/Oper. (Spanish only)	34-0600	1		29	Lance	16-0388	1
15	Filter	19-0001	1		30	Decal- Warning: Risk of Injection (E/S)	34-1253	1
16	Pump	3-0152	1		*Must Order in One Foot Lengths			

PUMP ASSEMBLY (3-0152)



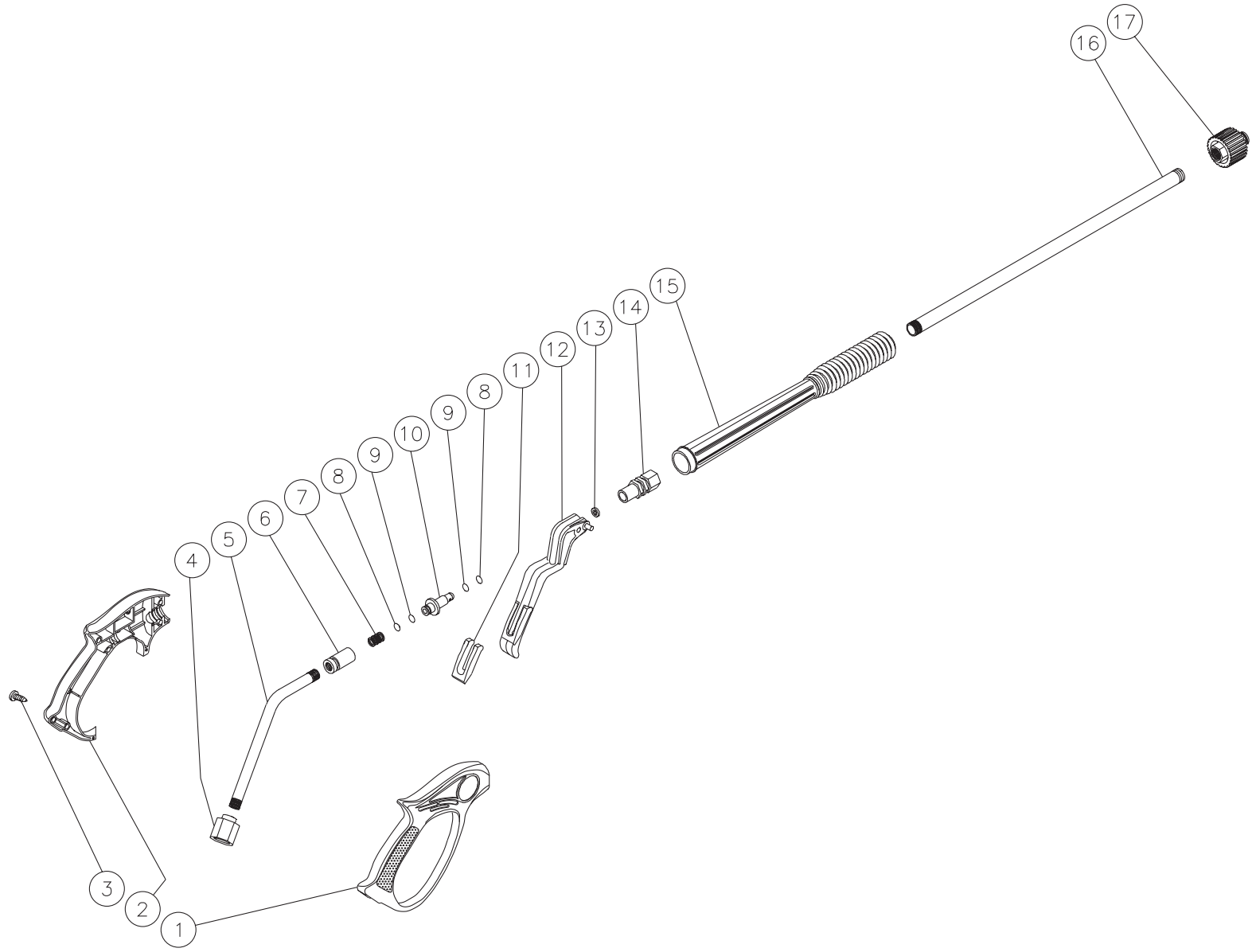
3-0152-072401-EDW

PUMP ASSEMBLY (3-0152)

REF #	DESCRIPTION	PART #	QTY	REF #	DESCRIPTION	PART #	QTY	REF #	DESCRIPTION	PART #	QTY
1	Oil Seal	26-0244	1	32	Packing Retainer	46-0737	3	63	Injector Nozzle	46-0356	1
2	Snap Ring	46-0940	1	33	O-ring	25-0399	3	64	O-ring	25-0362	1
3	Bearing	48-0074	1	34	Back-up Ring	25-0422	3	65	O-ring	25-0248	2
4	Flange	38-0061	1	35	Pressure Seal	46-0744	3	66	Injector Body	46-0360	1
5	Oil Vent Assembly (Inc. 6-10)	22-0223	1	36	O-ring	25-0343	2	67	Plug (For Shipping Only)	N/A	1
6	Oil Vent (See 22-0223)	N/A Sep.	1	37	O-ring	25-0359	3	68	Bolt	27-8893	4
7	O-ring	25-0253	1	38	Valve Complete (Inc. 39-42) (See 70-0191)	N/A Sep.	6	69	U-Clip	46-0741	1
8	Oil Vent (See 22-0223)	N/A Sep.	1	39	Valve Seat (See 70-0191)	N/A Sep.	6	70	Valve Seat Plate	46-0686	1
9	O-ring (See 22-0223)	N/A Sep.	1	40	Valve Plate (See 70-0191)	N/A Sep.	6	71	Ball	46-0685	1
10	Oil Vent-Spring (See 22-0223)	N/A Sep.	1	41	Valve Spring (See 70-0191)	N/A Sep.	6	72	Unloader Seat	46-0352	1
11	Oil Sight Glass	39-0117	1	42	Valve Cage-Plastic (See 70-0191)	N/A Sep.	6	73	Backup Ring	25-0247	1
12	O-ring	25-0477	1	43	Shim	46-0745	3	74	Piston Bypass Valve (See 70-0193)	N/A Sep.	1
13	Thrust Washer	48-0056	3	44	Pump Head	46-0658	1	75	Roll Pin	46-0364	1
14	Thrust Needle Roller Bearing	48-0057	2	45	Bolt	27-8892	5	76	O-ring	25-0242	1
15	Wobble Plate	46-0943	1	46	O-ring	25-0360	3	77	Backup Ring	25-0246	1
16	Plug	39-0082	1	47	O-ring	25-0238	4	78	O-ring	25-0231	1
17	Thrust Washer	48-0064	1	48	Plug	27-8197	1	79	O-ring	25-0263	1
18	O-ring	25-0358	1	49	Pump Manifold	46-0740	1	80	Body Bypass Valve	8-0472	1
19	Pump Housing w/Heat Dump Port	46-0746	1	50	O-ring	25-0357	1	81	Washer	28-0295	1
20	Garden Hose Connection	23-0304	1	51	Bolt	27-8894	1	82	Pressure Regulating Spring - 2000 PSI	49-0131	1
21	Garden Hose Adapter	23-0305	1	52	Detergent Injector Spring (See 70-0102)	N/A Sep.	1	83	Pressure Regulating Nut	8-0471	1
22	Plug (For Shipping Only)	N/A	1	53	Detergent Injector Ball (See 70-0102)	N/A Sep.	1	84	Set Screw	27-8895	1
23	Washer	19-0001	1	54	O-ring (See 70-0102)	N/A Sep.	1		Piston Assembly (Includes 24-25)	70-0190	
24	Retainer	46-0663	3	55	Detergent Injector Adapter	46-0636	1		Valve Kit (Includes 37, 38, 46)	70-0191	
25	Piston	46-0664	3	56	O-ring (See 70-0102)	N/A Sep.	1		Injector Repair Kit (Inc. 52-54, 56)	70-0102	
26	Spring	49-0129	3	57	Banjo Fitting	46-0637	1		Unloader Check Valve Kit (Inc. 60-66)	70-0108	
27	Gasket	26-0168	1	58	O-ring	25-0341	1		Unloader Seat Kit (Includes 65, 70-72)	70-0192	
28	Plug	39-0098	1	59	Detergent Injector Hose Barb	46-0638	1		Unloader Stem Kit (Inc. 36, 73-84)	70-0193	
29	Bolt	27-8404	3	60	O-ring	25-0334	1		Manifold Assy. (Inc. 36, 48-57, 60-84)	70-0194	
30	Oil Seal	26-0195	3	61	Check Valve	22-0158	1		Packing Kit (Inc. 3 each item 33 and *34, 35)	70-0195	
31	O-ring	25-0255	3	62	Check Valve Spring	49-0130	1				

*NOTE: When replacing Packing Kit, items 34 and 35 will be replaced by Part # 46-0738.

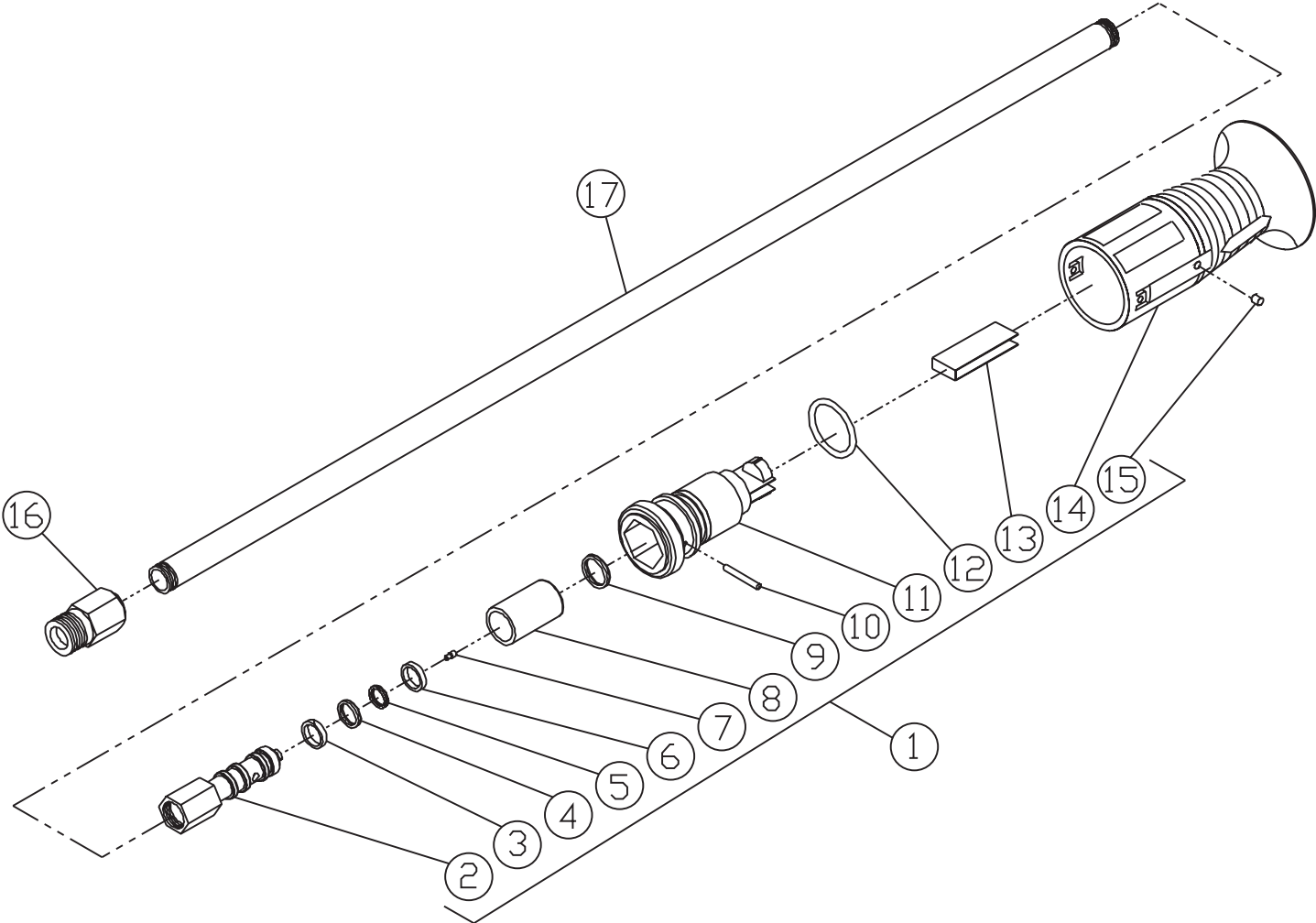
GUN/ WAND ASSEMBLY (16-0365)



16-0364-103101-RD

GUN/WAND ASSEMBLY (16-0365)								
REF. #	DESCRIPTION	PART #	QTY.		REF. #	DESCRIPTION	PART #	QTY.
1	Gun Body (Right Side)	16-0367	1		11	Trigger Lock	16-0372	1
2	Gun Body (Left Side)	16-0368	1		12	Trigger	16-0373	1
3	Screw	27-8862	6		13	Seat	26-0238	1
4	Adapter	23-0385	1		14	Brass Body Outlet	16-0374	1
5	Pipe (See 70-0287)	N/A Sep.	1		15	Gripping Area (Plastic)	16-0375	1
6	Brass Body Inlet	16-0370	1		16	Pipe	16-0376	1
7	Spring	49-0141	1		17	Screw Connnect Coupling	16-0377	1
8	O-ring	25-0363	2			Shutter Valve Kit (Includes 7-10)	70-0289	
9	Back-up Ring	25-0416	2			Complete Gun/Wand Assembly (Inc. 1-17)	16-0365	
10	Valve	16-0371	1					

LANCE ASSEMBLY (16-0388)



16-0388--073102-RD

LANCE ASSEMBLY (16-0388)								
REF. #	DESCRIPTION	PART #	QTY.		REF. #	DESCRIPTION	PART #	QTY.
1	Nozzle Assembly (Inc. 2-15)	18-0274	1		11	Plastic Housing (See 16-0388)	N/A Sep.	1
2	Nozzle Body	18-0284	1		12	O-ring	25-0342	1
3	Back-up Ring	25-0346	1		13	Angle Plate	18-0283	1
4	O-ring	25-0345	1		14	Nozzle Protector	18-0353	1
5	O-ring	25-0343	1		15	I.D. Pin	18-0286	1
6	Back-up Ring	25-0344	1		16	Coupling	16-0378	1
7	Nozzle- 1.20mm	18-0237	1		17	Pipe	16-0379	1
8	Sleeve (See 16-0388)	N/A Sep.	1			Repair Kit (Inc. 4-6, 13)	70-0303	
9	O-ring	25-0419	1			Complete Lance Assembly (Inc. 1-17)	16-0388	
10	Pin	43-0083	1					

