

# *The* **Chore Master**<sup>®</sup> by Mi-T-M<sup>®</sup>

## **PARTS LIST FOR CV-2400-1MIC**

<b>Engine Oil Grade:</b>	<b>Above 40°F=SAE 30 Below 40°F=SAE10W-30</b>
<b>Engine Oil Capacity:</b>	<b>20 oz.</b>
<b>Pump Oil Grade:</b>	<b>Mi-T-M Pump Oil #AW-4085-0016</b>
<b>Pump Oil Capacity:</b>	<b>4.5 oz.</b>
<b>Nozzle Size:</b>	<b>1.15 mm</b>

This Parts Listing has been compiled for your benefit. You can be assured your Mi-T-M Cold Water Pressure Washer was constructed and designed with quality and performance in mind using over 25 years experience in the pressure washer business. Each component has been rigorously tested to insure the highest level of acceptance.

The contents of this Parts Listing are based on the latest product information available at the time of publication. Mi-T-M reserves the right to make changes in price, color, materials, equipment, specifications or models at any time without notice.

### **WARNING**

THIS IS A PROFESSIONAL HIGH PRESSURE, COLD WATER PRESSURE WASHER. CAUTION SHOULD BE OBSERVED WHEN USING OR REPAIRING THIS UNIT! READ AND FOLLOW THE SAFETY WARNINGS LISTED BELOW BEFORE ATTEMPTING ANY REPAIRS ON THIS PRESSURE WASHER!

### **SAFETY WARNINGS**

1. NEVER alter or modify the equipment. Be sure any accessory items and system components being used will withstand the pressure developed. Use only genuine Mi-T-M parts for repair of your pressure washer. Failure to do so can cause hazardous operating conditions and will VOID warranty.
2. NEVER make adjustments on machinery while the unit is connected to the power source. Turning over the machinery by hand during adjustment or cleaning might start the machinery, causing serious injury to the operator.
3. Know how to stop and bleed pressures quickly. Be thoroughly familiar with controls.
4. Before servicing the unit, turn unit off, relieve the water pressure and allow the unit to cool down. Do not make repairs while the unit is running. Service in a clean, dry, flat area.
5. After testing the machine, DO NOT leave the pressurized unit unattended. Shut off the unit and release trapped pressure before leaving.

### **Table of Contents**

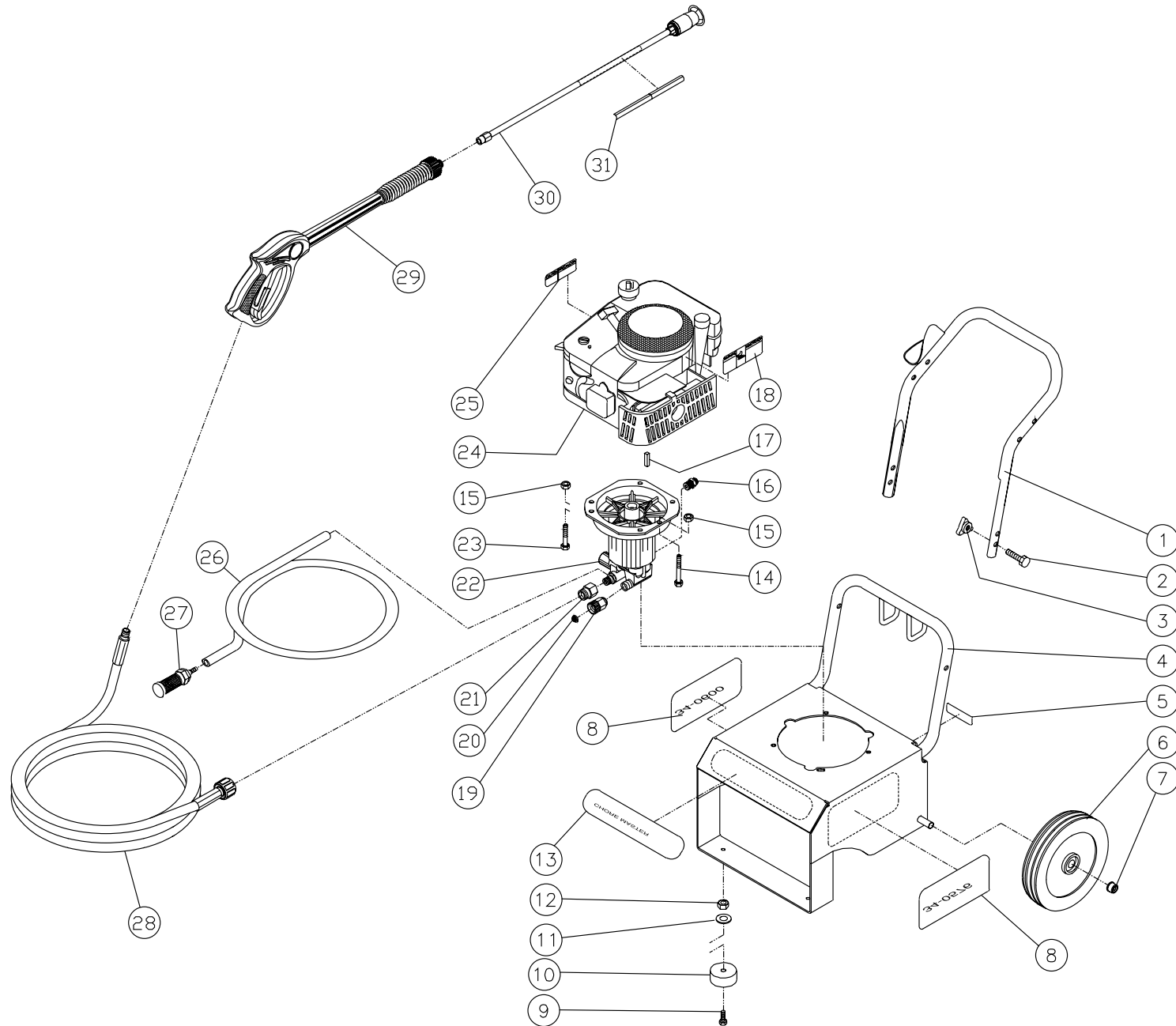
<b>SPECIFICATIONS .....</b>	<b>3</b>
<b>FRAME ASSEMBLY FOR CV-2400-1MIC .....</b>	<b>4</b>
<b>PUMP ASSEMBLY (3-0204) .....</b>	<b>6</b>
<b>GUN/ WAND ASSEMBLY (16-0364) .....</b>	<b>8</b>
<b>LANCE ASSEMBLY (16-0381) .....</b>	<b>10</b>

## SPECIFICATIONS

CV-2400-1MIC

<b>MODEL NUMBER</b>	<b>CV-2400-1MIC</b>
<b>Operating Pressure (PSI/Bar):</b>	2400/165.5
<b>High Pressure Nozzle:</b>	1.15 mm
<b>Water Volume (GPM/lpm):</b>	2.0/7.6
<b>Engine:</b>	Briggs & Stratton
Horsepower	6.0
Engine Type	4 Stroke, Overhead Valve, Single Cylinder
Oil Type	Above 40 F=SAE30/Below 40 F=SAE10W-30
Oil Capacity (oz./liters)	20/.6
Fuel Type	Unleaded Gasoline 86 Octane Minimum
Fuel Capacity (gallon/ liters)	.38/1.42
Starting	Recoil
Maximum No Load RPM	3600 (+/- 100) RPM
<b>Pump:</b>	Direct Driven, Oil Bath, Triplex Axial Piston
Oil Type	SAE75W-90 Synthetic
Oil Capacity (oz./liters)	4.5/.13
Plungers	Ceramic Coated
Manifold	Forged Brass
Valves	Stainless Steel
Heat Dump Valve	Relieves heated water during unloader bypass stage
<b>Unloader:</b>	Adjustable
<b>Detergent Injector:</b>	Low pressure down stream from pump
<b>Unit Net Weight (lbs/Kg)</b>	72/32
<b>Unit Shipping Weight (lbs/Kg)</b>	87/40
<b>Unit Net Dimension (in/cm)</b>	21.5Lx16.5Wx21.5H/ 54.5Lx42Wx54.5H
<b>Unit Shipping Dimension (in/cm)</b>	24.75Lx17.5Wx23H/ 63Lx44.5Wx58H

# FRAME ASSEMBLY FOR CV-2400-1MIC

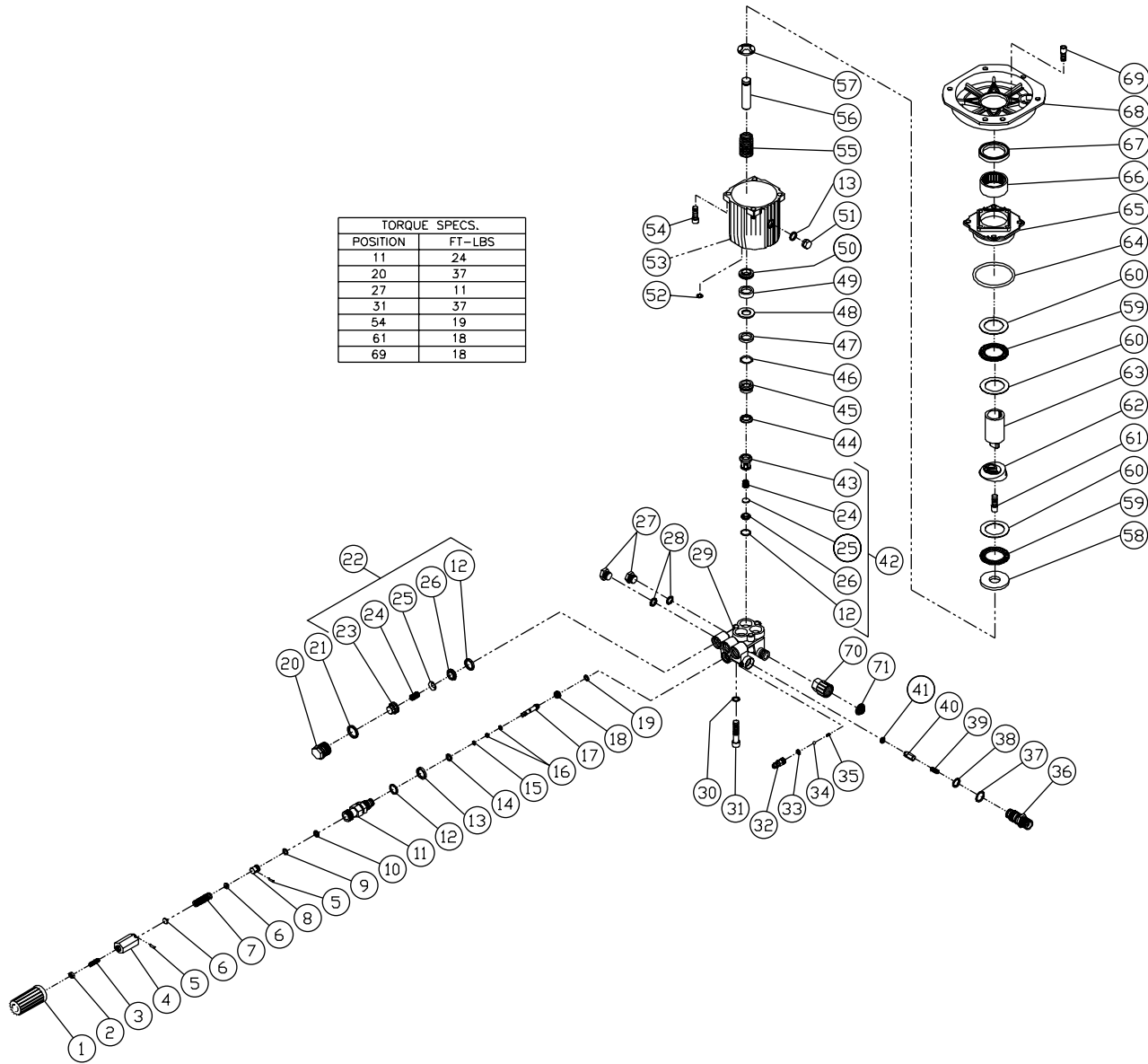


CV-2400-1MIC-112801-RD

FRAME ASSEMBLY FOR CV-2400-1MIC								
REF. #	DESCRIPTION	PART #	QTY.		REF. #	DESCRIPTION	PART #	QTY.
1	Handle	7-0165A01	1		17	Key	43-0106	1
2	Bolt	31-0051	2		18	Decal- Warning: Muffler Hot (E/S)	34-0598	1
3	Knob	7-0107	2		19	Garden Hose Swivel	23-0001	1
4	Frame Assembly	5-0168A01	1		20	Filter	19-0001	1
5	Decal- Clear Laminate	N/A	1		21	Adapter	23-0279	1
6	Wheel	14-0077	2		22	Pump	3-0204	1
7	Hub Cap	33-0055	2		23	Bolt	27-0070	2
8	Decal- Warn/Caution/Oper. (English only)	34-0576	1		24	Engine- 6.0 HP Briggs & Stratton Intek OHV	1-0113	1
-	Decal- Warn/Caution/Oper. (Spanish only)	34-0600	1		25	Decal- Caution: Allow to Cool (E/S)	34-0599	1
9	Bolt	27-0015	2		26	Detergent Hose *(Four Feet Required)	15-0021	1
10	Isolator	14-0069	2		27	Detergent Strainer	19-0050	1
11	Washer	28-0002	2		28	Pressure Hose	15-0215	1
12	Locknut	30-0155	2		29	Gun	16-0364	1
13	Decal- Choremaster	34-1187	1		30	Lance	16-0381	1
14	Bolt	27-0074	1		31	Decal- Warning: Risk of Injection (E/S)	34-1253	1
15	Locknut	30-0157	3		*Must Order in One Foot Lengths			
16	Heat Dump Valve	22-0208	1					

# PUMP ASSEMBLY (3-0204)

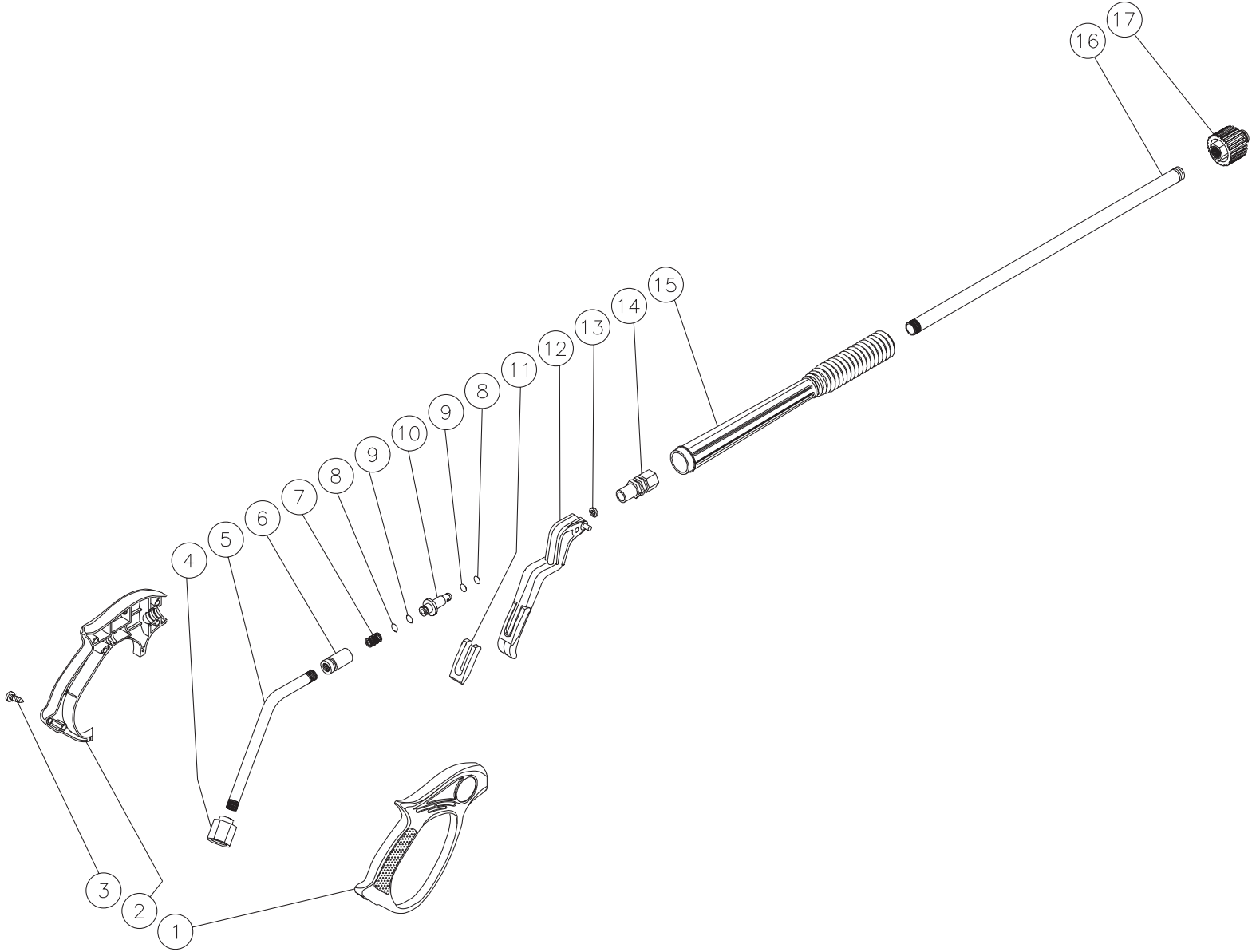
TORQUE SPECS.	
POSITION	FT-LBS
11	24
20	37
27	11
31	37
54	19
61	18
69	18



## PUMP ASSEMBLY (3-0204)

REF. #	DESCRIPTION	PART #	QTY.	REF. #	DESCRIPTION	PART #	QTY.	REF. #	DESCRIPTION	PART #	QTY.
1	Unloader Knob	7-0163	1	26	Valve Seat (See 70-0290)	N/A Sep.	6	51	Oil Sight Glass	39-0119	1
2	Nut	30-6024	1	27	Plug	39-0096	2	52	O-ring	25-0502	1
3	Set Screw	27-8959	1	28	O-ring	25-0387	2	53	Pump Housing	46-0873	1
4	Adjustment Barrel	8-0500	1	29	Manifold	46-0880	1	54	Bolt	27-8432	4
5	Pin	43-0087	2	30	Lockwasher	29-0055	3	55	Spring	49-0142	3
6	Spring Button	8-0501	2	31	Bolt	27-8960	3	56	Piston	46-0874	3
7	Spring	49-0119	1	32	Hose Barb	46-0869	1	57	Spring Retainer	46-0875	3
8	Poppet	8-0415	1	33	O-ring (See 70-293)	N/A Sep.	1	58	Washer	46-0876	1
9	Back-up Ring (See 70-0292)	N/A Sep.	1	34	Ball (See 70-293)	N/A Sep.	1	59	Bearing	48-0057	2
10	O-ring (See 70-0292)	N/A Sep.	1	35	Detergent Injector Spring (See 70-293)	N/A Sep.	1	60	Washer	48-0056	3
11	Piston Guide	8-0502	1	36	Injector Adapter	46-0870	1	61	Bolt	27-8884	1
12	O-ring	25-0386	7	37	O-ring	25-0159	1	62	Wobble Plate	46-0877	1
13	O-ring	25-0325	2	38	O-ring	25-0407	1	63	Shaft	48-0071	1
14	O-ring	25-0403	1	39	Spring	49-0124	1	64	O-ring	25-0503	1
15	Back-up Ring	25-0408	1	40	Check Valve	8-0458	1	65	Pump Flange	46-0893	1
16	O-ring	25-0253	2	41	O-ring	25-0406	1	66	Bearing	48-0071	1
17	Piston	8-0413	1	42	Single Valve Assembly (Inc. 12, 24-26, 43) (See 70-0290)	N/A Sep.	1	67	Oil Seal	26-0192	1
18	Valve Seat	8-0503	1	43	Valve Cage/Support Ring (See 70-0290)	N/A Sep.	3	68	Flange	46-0894	1
19	O-ring	25-0500	1	44	V-Packing (See 70-0291)	N/A Sep.	3	69	Bolt	27-8888	1
20	Valve Cap	39-0087	3	45	Packing Retainer	46-0871	3	70	Water Hose Connector	23-0001	1
21	O-ring	25-0160	3	46	O-ring	25-0501	3	71	Filter	19-0001	1
22	Single Valve Assembly (Inc. 12, 23-26) (See 70-0290)	N/A Sep.	3	47	Low Pressure Seal (See 70-0291)	N/A Sep.	3		Valve Kit (Inc. 3 each 22, 42)	70-0290	
23	Valve Cage (See 70-0290)	N/A Sep.	3	48	Retainer	46-0872	3		High Pressure Seals Kit (Inc. 3 each 44, 46-48)	70-0291	
24	Valve Spring (See 70-0290)	N/A Sep.	6	49	Spacer	46-0892	3		Unloader Repair Kit (Inc. 9, 10, 12-16, 19, 41)	70-0292	
25	Valve Plate (See 70-0290)	N/A Sep.	6	50	Oil Seal	26-0239	3		Injector Repair Kit (Inc. 33-35)	70-0293	

**GUN/ WAND ASSEMBLY (16-0364)**

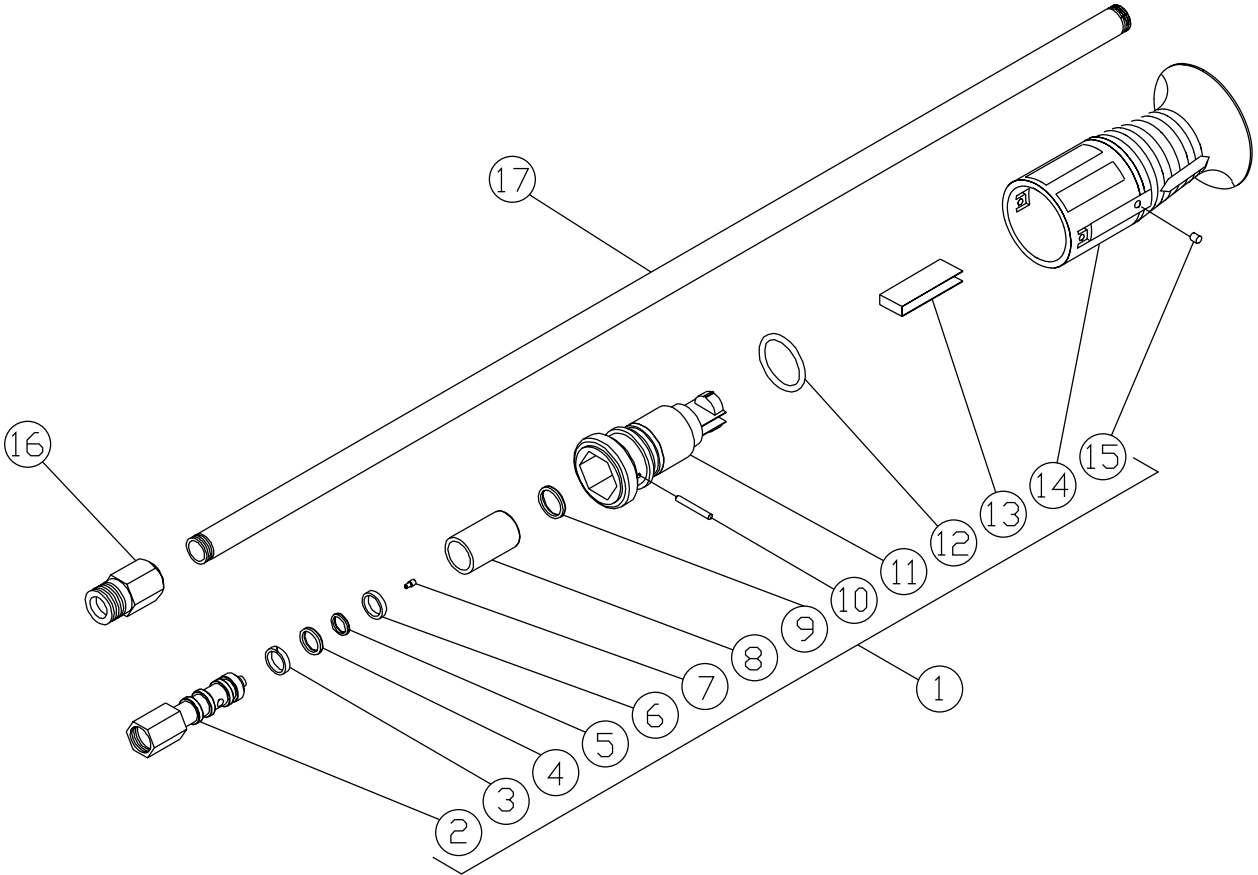


16-0364-103101-RD



GUN/WAND ASSEMBLY (16-0364)								
REF. #	DESCRIPTION	PART #	QTY.		REF. #	DESCRIPTION	PART #	QTY.
1	Gun Body (Right Side)	16-0367	1		11	Trigger Lock	16-0372	1
2	Gun Body (Left Side)	16-0368	1		12	Trigger	16-0373	1
3	Screw	27-8862	6		13	Seat	26-0238	1
4	Adapter	23-0384	1		14	Brass Body Outlet	16-0374	1
5	Pipe (See 70-0287)	N/A Sep.	1		15	Gripping Area (Plastic)	16-0375	1
6	Brass Body Inlet	16-0370	1		16	Pipe	16-0376	1
7	Spring	49-0141	1		17	Screw Connnect Coupling	16-0377	1
8	O-ring	25-0363	2			Inlet Kit (Includes 4-6)	70-0288	
9	Back-up Ring	25-0416	2			Shutter Valve Kit (Includes 7-10)	70-0289	
10	Valve	16-0371	1			Complete Gun/Wand Assembly (Inc. 1-17)	16-0364	

LANCE ASSEMBLY (16-0381)



16-0381-102700-RD

<b>LANCE ASSEMBLY (16-0381)</b>			
<b>REF. #</b>	<b>DESCRIPTION</b>	<b>PART #</b>	<b>QTY.</b>
1	Nozzle Assembly (Includes 2-14)	18-0354	1
2	Nozzle Body	18-0284	1
3	Back-up Ring	25-0346	1
4	O-ring	25-0345	1
5	O-ring	25-0343	1
6	Back-up Ring	25-0344	1
7	Nozzle- 1.15 mm	18-0351	1
8	Sleeve (See 18-0354)	N/A Sep.	1
9	O-ring	25-0419	1
10	Pin	43-0083	1
11	Plastic Housing (See 18-0354)	N/A Sep.	1
12	O-ring	25-0342	1
13	Angle Plate	18-0283	1
14	Nozzle Protector	18-0353	1
15	I.D. Pin	18-0352	1
16	Coupling	16-0378	1
17	Pipe	16-0379	1
	Repair Kit (Inc. 4-6, 13)	70-0303	

