

# Mi-T-M<sup>®</sup> CORPORATION

8650 Enterprise Drive, Peosta IA 52068-0050  
319-556-7484 / Fax 319-556-1235

## PARTS LIST FOR CWC-4005-0MGH/OMGV CWC-5004-0MGH/OMGV

HONDA ENGINE OIL GRADE:  
HONDA ENGINE OIL CAPACITY:  
VANGUARD ENGINE OIL GRADE:

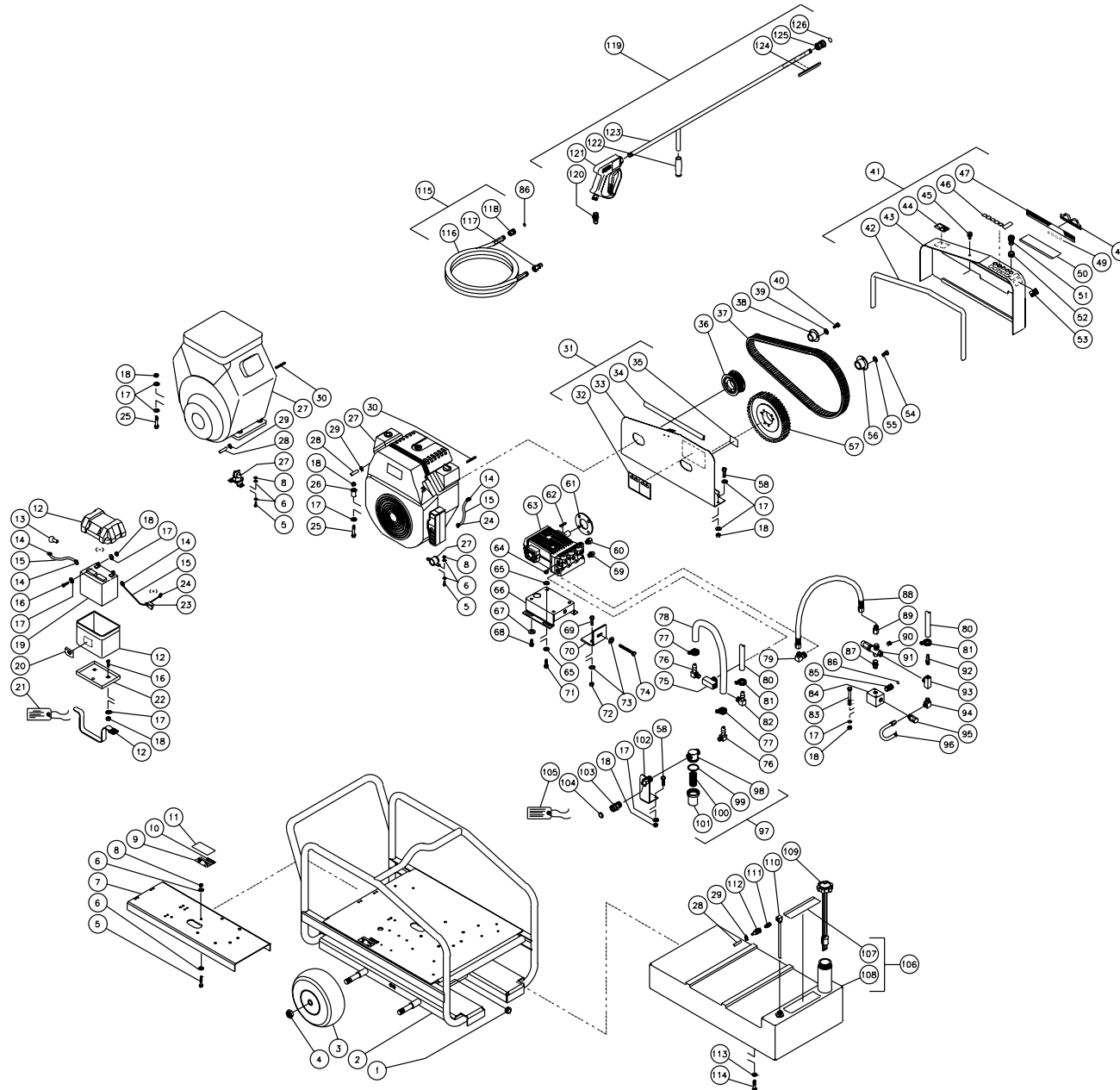
VANGUARD ENGINE OIL CAPACITY:  
PUMP OIL GRADE:  
PUMP OIL CAPACITY:  
PRESSURE NOZZLE SIZE FOR

CWC-4005-0MGH/GV  
CWC-5005-0MGH/GV

SAE 10W-30  
50.9 oz.  
Above 40°F=SAE30  
Below 40°F=SAE 10W-30  
56 oz.  
Mi-T-M #AW-4085-0016  
40.6 oz.

5.0  
3.5

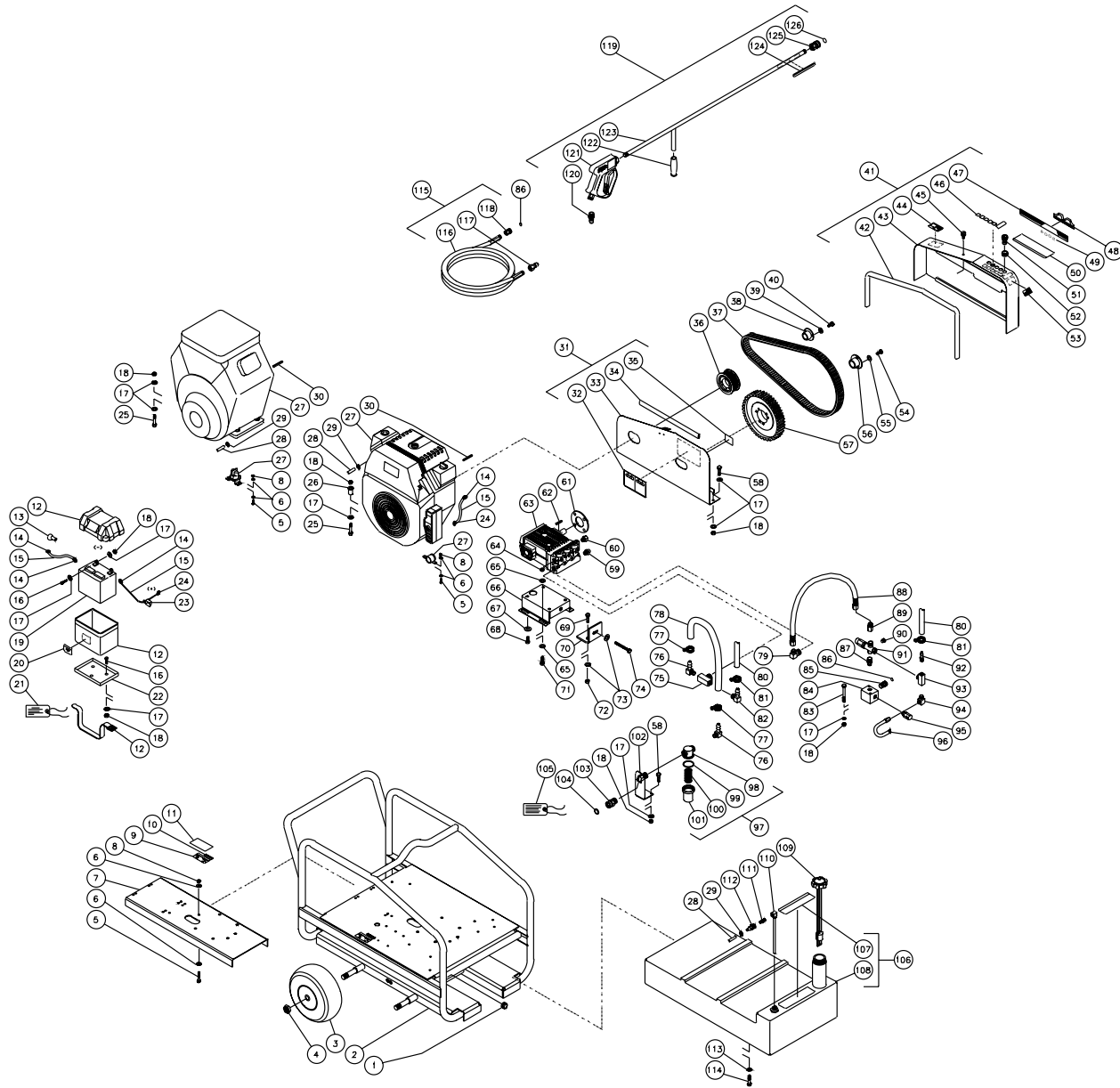
# FRAME ASSEMBLY FOR CWC-4005-0MGH/OMGV



OMCWU243-092997-DCE

FRAME ASSEMBLY FOR CWC-4005-0MGH/0MGV															
REF. #	DESCRIPTION	PART #	QTY.	REF. #	DESCRIPTION	PART #	QTY.	REF. #	DESCRIPTION	PART #	QTY.	REF. #	DESCRIPTION	PART #	QTY.
1	Grommet	33-0002	2	30	Key	43-0078	1	61	Pump Isolator	33-0202	1	95	Easy Start Valve	22-0242	1
2	Frame Assembly	5-0136A01	1	31	Assy.-Beltguard Back (Includes 32-35)	851-0310	1	62	Key	43-0028	1	96	Hose	15-0140	1
3	Wheel	14-0006	4	32	Decal-CautionWarning E/S	34-0812	1	63	Pump	3-0169	1	97	Strainer Assembly (Includes 98-101, 103)	19-0057	1
4	Jamnut	30-0117	4	33	Beltguard Back	N/A Sep.	1	64	Locknut	30-0161	4	98	Strainer Cap	19-0058	1
5	Bolt	27-0016	3	34	Edging *(Two Feet Required)	33-0020	1	65	Washer	28-0030	8	99	Strainer Gasket	26-0160	1
6	Washer	28-0021	6	35	Decal-Warning: Beltguard in Place E/S	34-0826	1	66	Pump Bracket	5-0101A01	1	100	Strainer Screen (S.S.)	19-0059	1
7	Support Bracket	13-0120A01	1	36	Sprocket	10-0084	1	67	Washer	29-0055	4	101	Strainer Bowl	19-0060	1
8	Nut	30-0155	3	37	Belt-Polychain	11-0041	1	68	Bolt	27-8471	4	102	Bracket	20-0428A01	1
9	Decal-H.D. Silver Sticker	34-0075	1	38	Bushing-SDS	9-0064	1	69	Bolt	27-0118	2	103	Garden Hose Swivel	23-0095	1
10	Decal-Serial Number	N/A	1	39	Lockwasher	28-0021	3	70	Brace Tightener	13-0003A01	1	104	Garden Hose Gasket	26-0001	1
11	Decal-Clear Laminate	34-0210	1	40	Bolt	27-0037	3	71	Bolt	27-0166	4	105	Tag-Water Inlet Supply	34-0097	1
12	Battery Box	33-0092	1	41	Assy.-Beltguard Cover (Includes 42-48, 50, 52, 53)	851-0311	1	72	Locknut	30-0159	2	106	Assembly-Fuel Tank w/Decal (Inc. 107, 108)	851-0319	1
13	Terminal Protector-Black	33-0273	1	42	Edging *(Four Feet Required)	33-0020	1	73	Washer	28-0023	3	107	Decal-Caution: Gas Only (E/S)	34-0835	1
14	Ring Terminal for Honda	32-0097	4	43	Beltguard Cover	N/A Sep.	1	74	Bolt	27-0576	1	108	Fuel Tank (See 851-0319)	N/A Sep.	1
-	Ring Terminal for Vanguard	32-0097	3	44	Decal-Warning: Muffler Hot E/S	34-0598	1	75	Branch Tee	23-0235	1	109	Fuel Cap w/Gauge	12-0061	1
15	Cable *(Two Feet Required)	32-0065	1	45	Fastener-1/4 Turn	33-0197	1	76	Hose Barb-90° Elbow	23-0037	1	110	Fuel Pick-up	33-0271	1
16	Bolt	27-0066	4	46	Decal-Nozzle	34-0500	1	77	Clamp	42-0003	2	111	Quick Connect Plug-Fuel	17-0038	1
17	Washer for Honda	28-0003	24	47	Decal-Mi-T-M Stripe	34-0501	1	78	Hose *(Two Feet Required)	15-0033	1	112	Quick Connect Socket-Fuel	17-0018	1
-	Washer for Vanguard	28-0003	28	48	Decal-Mi-T-M Logo	62-0086	1	79	Elbow	24-0092	1	113	Washer	28-0022	4
18	Nut	30-0157	16	49	Decal-4005	34-0833	1	80	Hose *(Three Feet Required)	15-0007	1	114	Bolt	27-9524	4
19	Battery	32-0058	1	50	Decal-Operating Instructions E/S	34-0813	1	81	Clamp	42-0011	2	115	Assembly-Pressure Hose 3/8" x 50'	851-0006	1
20	Decal-Caution: Disconnect Battery	34-0589	1	51	Spray Nozzle: 0005	18-0003	1	82	Hose Barb-90° Elbow	23-0053	1	116	Quick Connect Plug	17-0006	1
21	Tag-Battery	34-0096	1	-	Spray Nozzle: 1505	18-0004	1	83	Bolt	27-0074	2	117	Pressure Hose	15-0004	1
22	Battery Retainer	20-0264A01	1	-	Spray Nozzle: 2505	18-0153	1	84	Manifold Block	51-0020	1	118	Quick Connect Socket	17-0004	1
23	Terminal Protector-Red	33-0004	1	-	Spray Nozzle: 4005	18-0180	1	85	Quick Connect Socket	17-0007	1	119	Assy.-Gun w/S.S. Lance 48'	851-0309	1
24	Ring Terminal for Honda	32-0098	2	52	Grommet	33-0001	5	86	O-ring	25-0123	2	120	Quick Connect Plug	17-0005	1
-	Ring Terminal for Vanguard	32-0098	1	53	Decal-American Flag	34-0521	1	87	Nipple	24-0010	1	121	Gun	16-0343	1
25	Bolt	27-0071	4	54	Bolt	27-0071	3	88	Hose	15-0177	1	122	Handle Grip	7-0002	1
26	Shim-Honda	33-0169	4	55	Lockwasher	28-0003	3	89	Adapter	24-0150	1	123	Lance-Stainless Steel	16-0342	1
27	Assy.-Honda w/muffler & throttle	851-0307	1	56	Bushing-SK	9-0066	1	90	Plug	39-0017	1	124	Decal-Warning: Risk of Injection	34-0572	1
-	Assy.-Vanguard w/muffler guard	851-0318	1	57	Sprocket	10-0085	1	91	Unloader	8-0480	1	125	Quick Connect	17-0036	1
28	Fuel Line-Honda *(Four Feet Required)	15-0031	1	58	Bolt	27-0067	6	92	Hose Barb	23-0105	1	126	O-ring	25-0122	2
-	Fuel Line-Vanguard *(Three Feet Required)	15-0031	1	59	Thermal Relief Valve	22-0005	1	93	Branch Tee	23-0117	1	*Must Order in One Foot Lengths			
29	Hose Clamp	42-0004	2	60	Burst Disk Assy. 8000 PSI	851-0308	1	94	Elbow	23-0324	1				

# FRAME ASSEMBLY FOR CWC-5004-0MGH/0MGV

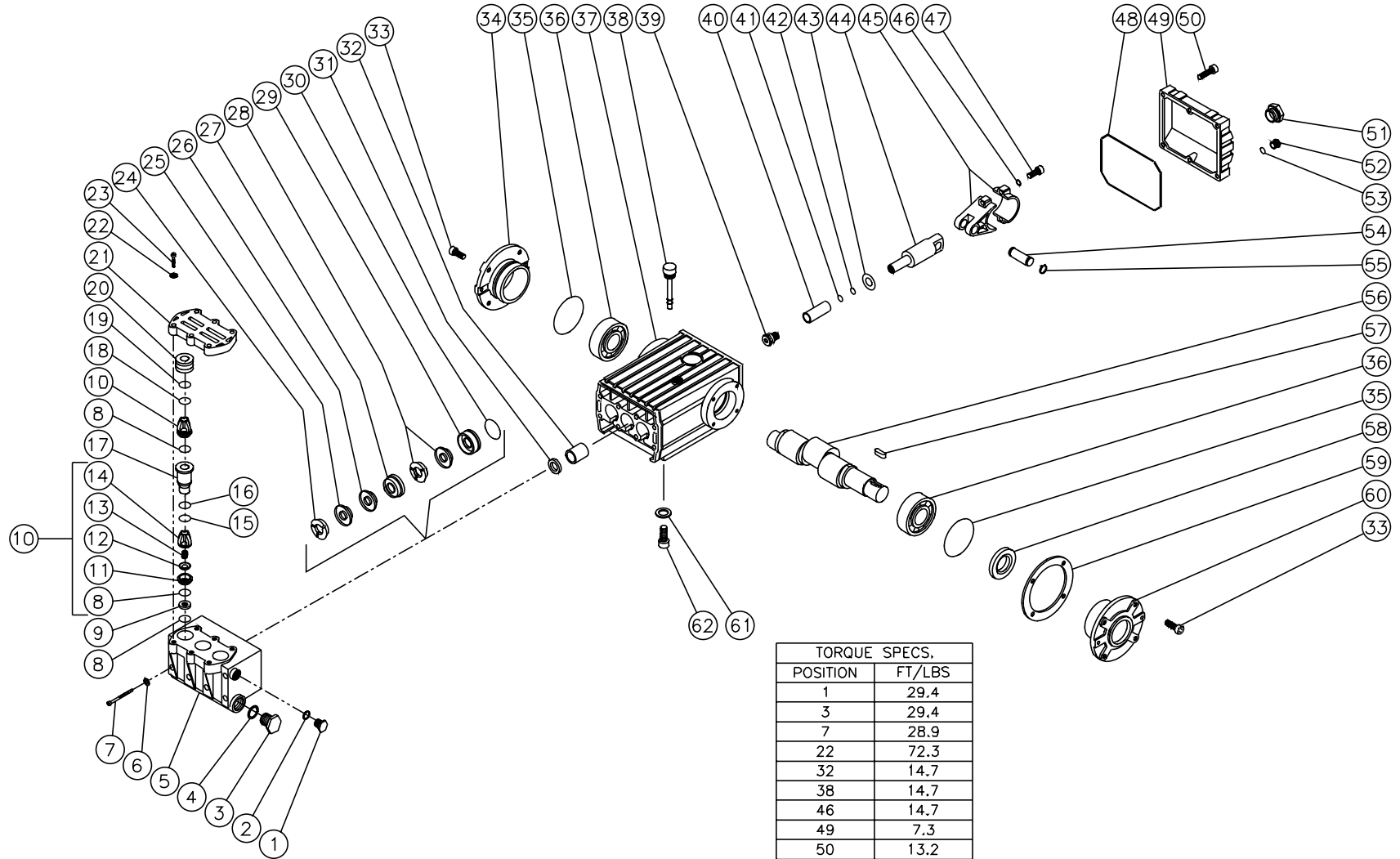


OMCWU244-092997-DCE

FRAME ASSEMBLY FOR CWC-5004-0MGH/0MGV															
REF. #	DESCRIPTION	PART #	QTY.	REF. #	DESCRIPTION	PART #	QTY.	REF. #	DESCRIPTION	PART #	QTY.	REF. #	DESCRIPTION	PART #	QTY.
1	Grommet	33-0002	2	30	Key	43-0078	1	61	Pump Isolator	33-0202	1	95	Easy Start Valve	22-0242	1
2	Frame Assembly	5-0136A01	1	31	Assy-Beltguard Back (32-35)	851-0310	1	62	Key	43-0028	1	96	Hose	15-0140	1
3	Wheel	14-0006	4	32	Decal-Caution/Warning (E/S)	34-0812	1	63	Pump	3-0169	1	97	Strainer Assembly (Inc. 98-101, 103)	19-0057	1
4	Jamnut	30-0117	4	33	Beltguard Back	N/A Sep.	1	64	Locknut	30-0161	4	98	Strainer Cap	19-0058	1
5	Bolt	27-0016	3	34	Edging *(Two Feet Required)	33-0020	1	65	Washer	28-0030	8	99	Strainer Gasket	26-0160	1
6	Washer	28-0021	6	35	Decal-Warning: Beltguard in Place (E/S)	34-0826	1	66	Pump Bracket	5-0101A01	1	100	Strainer Screen (S.S.)	19-0059	1
7	Support Bracket	13-0120A01	1	36	Sprocket	10-0084	1	67	Washer	29-0055	4	101	Strainer Bowl	19-0060	1
8	Nut	30-0155	3	37	Belt-Polychain	11-0042	1	68	Bolt	27-8471	4	102	Bracket	20-0428A01	1
9	Decal-I.D. Silver Sticker	34-0075	1	38	Bushing-SDS	9-0064	1	69	Bolt	27-0118	2	103	Garden Hose Swivel	23-0095	1
10	Decal-Serial Number	N/A	1	39	Lockwasher	28-0021	3	70	Brace Tightener	13-0003A01	1	104	Garden Hose Gasket	26-0001	1
11	Decal-Clear Laminate	34-0210	1	40	Bolt	27-0037	3	71	Bolt	27-0166	4	105	Tag-Water Inlet Supply	34-0097	1
12	Battery Box	33-0092	1	41	Assy-Beltguard Cover (Inc. 42-48, 50, 52, 53)	851-0311	1	72	Locknut	30-0159	2	106	Assembly-Fuel Tank w/Decal (Inc. 107, 108)	851-0319	1
13	Terminal Protector-Black	33-0273	1	42	Edging *(Four Feet Required)	33-0020	1	73	Washer	28-0023	3	107	Decal-Caution: Gas Only (E/S)	34-0835	1
14	Ring Terminal for Honda	32-0097	4	43	Beltguard Cover	N/A Sep.	1	74	Bolt	27-0576	1	108	Fuel Tank	N/A Sep.	1
-	Ring Terminal for Vanguard	32-0097	3	44	Decal-Warning: Muffler Hot (E/S)	34-0598	1	75	Branch Tee	23-0235	1	109	Fuel Cap w/Gauge	12-0061	1
15	Cable *(Two Feet Required)	32-0065	1	45	Fastener-1/4 Turn	33-0197	1	76	Hose Barb 90° Elbow	23-0037	1	110	Fuel Pick-up	33-0271	1
16	Bolt	27-0066	4	46	Decal-Nozzle	34-0500	1	77	Clamp	42-0003	2	111	Quick Connect Plug-Fuel	17-0038	1
17	Washer for Honda	28-0003	24	47	Decal-Mi-T-M Stripe	34-0501	1	78	Hose *(Two Feet Required)	15-0033	1	112	Quick Connect Socket-Fuel	17-0018	1
-	Washer for Vanguard	28-0003	28	48	Decal-Mi-T-M Logo	62-0086	1	79	Elbow	24-0092	1	113	Washer	28-0022	4
18	Nut	30-0157	16	49	Decal-5004	34-0834	1	80	Hose *(Three Feet Required)	15-0007	1	114	Bolt	27-9524	4
19	Battery	32-0058	1	50	Decal-Operating Instructions E/S	34-0813	1	81	Clamp	42-0011	2	115	Assembly-Pressure Hose	851-0317	1
20	Decal-Caution: Disconnect Battery	34-0589	1	51	Spray Nozzle: 00035	18-0257	1	82	Hose Barb 90° Elbow	23-0053	1	116	Pressure Hose	15-0178	1
21	Tag-Battery	34-0096	1	-	Spray Nozzle: 15035	18-0258	1	83	Bolt	27-0074	2	117	Quick Connect Plug	17-0006	1
22	Battery Retainer	20-0264A01	1	-	Spray Nozzle: 25035	18-0259	1	84	Manifold Block	51-0020	1	118	Quick Connect Socket	17-0004	1
23	Terminal Protector-Red	33-0004	1	-	Spray Nozzle: 40035	18-0260	1	85	Quick Connect Socket	17-0007	1	119	Assy-Gun w/S.S. Lance 48"	851-0309	1
24	Ring Terminal for Honda	32-0098	2	52	Grommet	33-0001	5	86	O-ring	25-0123	2	120	Quick Connect Plug	17-0005	1
-	Ring Terminal for Vanguard	32-0098	1	53	Decal-American Flag	34-0521	1	87	Nipple	24-0010	1	121	Gun	16-0343	1
25	Bolt	27-0071	4	54	Bolt	27-0071	3	88	Hose	15-0177	1	122	Handle Grip	7-0002	1
26	Shim-Honda	33-0169	4	55	Lockwasher	28-0003	3	89	Adapter	24-0150	1	123	Lance-Stainless Steel	16-0342	1
27	Assy-Honda w/muffler & throttle	851-0307	1	56	Bushing-SK	9-0066	1	90	Plug	39-0017	1	124	Decal-Warning: Risk of Injection	34-0572	1
-	Assy-Vanguard w/muffler guard	851-0318	1	57	Sprocket	10-0086	1	91	Unloader	8-0480	1	125	Quick Connect	17-0036	1
28	Fuel Line-Honda *(Four Feet Required)	15-0031	1	58	Bolt	27-0067	6	92	Hose Barb	23-0105	1	126	O-ring	25-0122	2
-	Fuel Line-Vanguard *(Three Feet Required)	15-0031	1	59	Thermal Relief Valve	22-0005	1	93	Branch Tee	23-0117	1				
29	Hose Clamp	42-0004	2	60	Burst Disk Assy: 8000 PSI	851-0308	1	94	Elbow	23-0324	1				

\*Must Order in One Foot Lengths

# PUMP ASSEMBLY (3-0169)



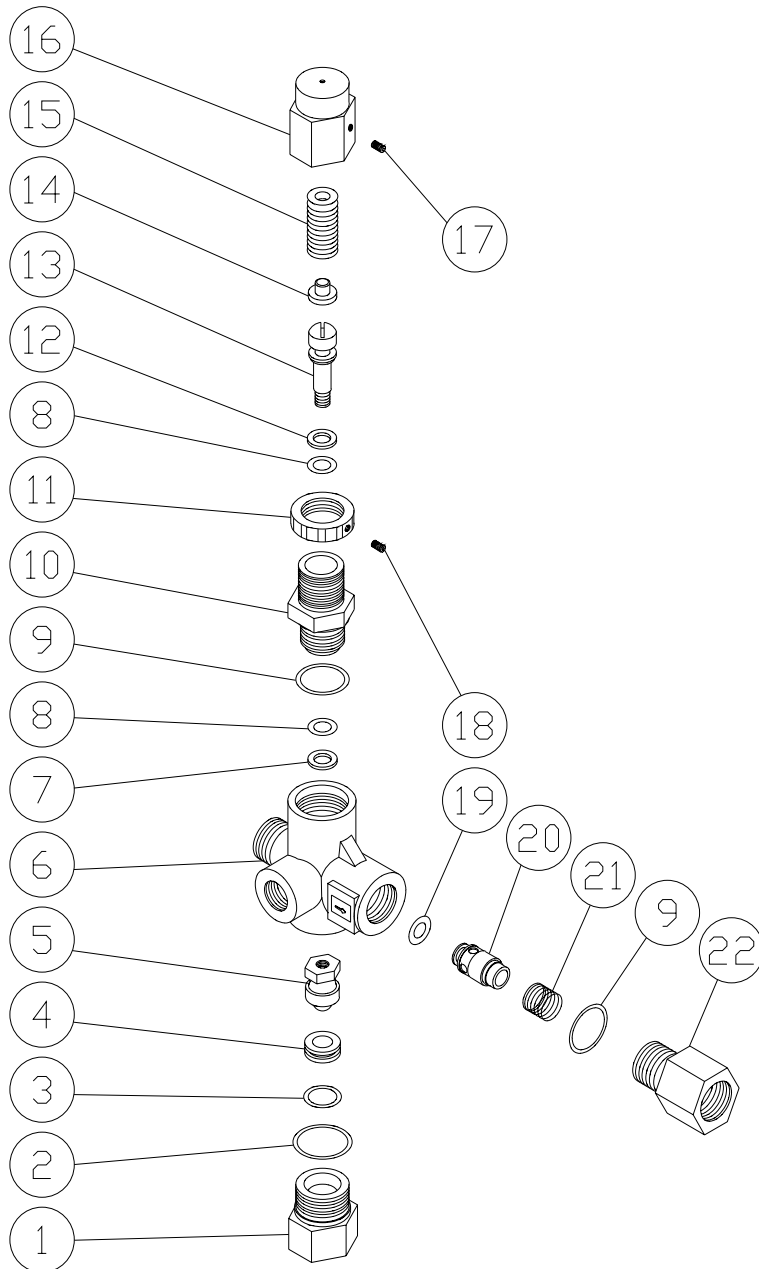
TORQUE SPECS.	
POSITION	FT/LBS
1	29.4
3	29.4
7	28.9
22	72.3
32	14.7
38	14.7
46	14.7
49	7.3
50	13.2
51	14.7
61	29.4

OMPMP051/101497/DCE

PUMP ASSEMBLY (3-0169)											
REF.	DESCRIPTION	PART #	QTY.	REF.	DESCRIPTION	PART #	QTY.	REF.	DESCRIPTION	PART #	QTY.
1	Plug	39-0018	1	24	High Pressure Head Ring (See 70-0031)	N/A Sep.	3	47	Bolt	27-8435	6
2	Washer	28-0600	1	25	High Pressure V-Packing (See 70-0042)	N/A Sep.	3	48	O-ring-Crankcase Cover	25-0339	1
3	Plug	39-0019	1	26	Re-Stop V-Packing (See 70-0042)	N/A Sep.	3	49	Crankcase Cover	46-0295	1
4	Washer	28-0601	8	27	High Pressure Intermediate Seal Retainer (See 70-0210)	N/A Sep.	3	50	Bolt	27-8404	5
5	Pump Manifold	46-0770	1	28	Low Pressure Seal (See 70-0042)	N/A Sep.	3	51	Oil Level Indicator	46-0114	1
6	Washer	28-0210	8	29	Low Pressure Seal Retainer	46-0286	3	52	Plug	39-0017	1
7	Bolt	27-8239	8	30	O-ring	25-0015	3	53	O-ring	25-0014	1
8	O-ring	25-0043	8	31	Oil Seal (See 70-0208)	N/A Sep.	3	54	Connecting Rod Pin	43-0032	3
9	Spacer	46-0771	3	32	Bushing	9-0029	3	55	Retaining Ring	46-0103	6
10	Valve Assembly (8, 11-14) (See 70-0212)	N/A Sep.	6	33	Bolt	27-8431	8	56	Crankshaft	46-0776	1
11	Valve Seat (See 70-0212)	N/A Sep.	6	34	Cover-Crankcase Closed	46-0336	1	57	Key	43-0048	1
12	Valve Plate (See 70-0212)	N/A Sep.	6	35	O-ring	25-0013	2	58	Oil Seal (See 70-0209)	N/A Sep.	2
13	Valve Spring (See 70-0212)	N/A Sep.	6	36	Bearing	48-0012	2	59	Shim	46-0113	1
14	Valve Cage (See 70-0212)	N/A Sep.	6	37	Crankcase	46-0292	1	60	Crankcase Cover-Open	46-0296	1
15	Back-up Ring	25-0430	3	38	Oil Dip Stick	46-0144	1	61	Lockwasher	29-0055	4
16	O-ring	25-0160	3	39	Screw	46-0285	3	62	Bolt	27-8471	4
17	Guide	46-0772	3	40	Plunger-Ceramic	46-0337	3		Valve Kit (6 each 8, 11-14)	70-0212	
18	O-ring	25-0151	3	41	O-ring	25-0138	3		Head Ring Kit (6 each 24)	70-0031	
19	Back-up Ring	25-0431	3	42	Back-up Ring	25-0137	3		Packing Kit (3 each 25, 26, 28)	70-0042	
20	Cap	46-0773	3	43	Flinger Washer	46-0283	3		Intermediate Retainer Kit (3 each 27)	70-0210	
21	Valve Cover Plate	46-0774	1	44	Piston Rod	46-0294	3		Packing Assembly (3 each 24-29)	70-0211	
22	Lockwasher	29-0156	6	45	Connecting Rod	46-0051	3		Oil Seal Kit (3 each 31)	70-0208	
23	Bolt	27-8492	6	46	Lockwasher	29-0154	6		Oil Seal Kit (2 each 58)	70-0209	

# UNLOADER ASSEMBLY (8-0480)

OMGEN265-101597-DCE

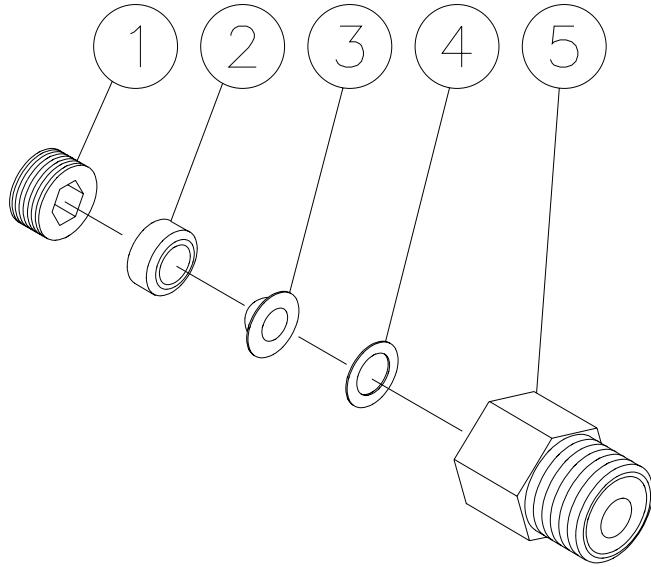


UNLOADER ASSEMBLY (8-0480)			
REF. #	DESCRIPTION	PART #	QTY.
1	Bypass Cap	39-0083	1
2	O-ring (See 70-0207)	N/A Sep.	1
3	O-ring (See 70-0207)	N/A Sep.	1
4	Bypass Seat (See 70-0207)	N/A Sep.	1
5	Valve and Ball Assy. (See 70-0207)	N/A Sep.	1
6	Unloader Body	8-0481	1
7	Back-up Ring (See 70-0207)	N/A Sep.	1
8	O-ring (See 70-0207)	N/A Sep.	2
9	O-ring (See 70-0207)	N/A Sep.	2
10	Piston Retainer	8-0482	1
11	Locknut	30-6023	1
12	Back-up Ring (See 70-0207)	N/A Sep.	1
13	Piston Stem	8-0483	1
14	Spring Retainer	8-0484	1
15	Spring	49-0133	1
16	Adjustable Cap	39-0099	1
17	Set Screw	8-0485	1
18	Set Screw	8-0408	1
19	O-ring (See 70-0207)	N/A Sep.	1
20	Flow Balancer	8-0486	1
21	Spring	49-0118	1
22	Outlet Fitting	8-0487	1
	O-ring Kit (2-5, 7-9, 12, 19)	70-0207	

OMGEN265/101597/DCE



## BURST DISK ASSEMBLY (850-0308)



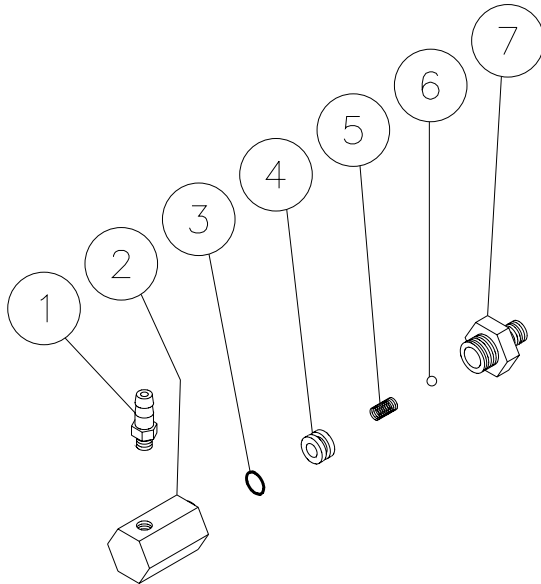
PD8500197C/110397/BAR

BURST DISK ASSEMBLY (850-0308)			
REF. #	DESCRIPTION	PART #	QTY.
1	Set Screw (Torque at 16 ft./lbs.)	24-0137	1
2	Hold Down Ring	24-0136	1
3	Burst Disk - 8000 PSI	22-0218	1
4	Teflon Washer w/Burst Disk	N/A	1
5	Burst Disk Holder	N/A	1

850-0197/110397/BAR

## EASY START VALVE (22-0242)

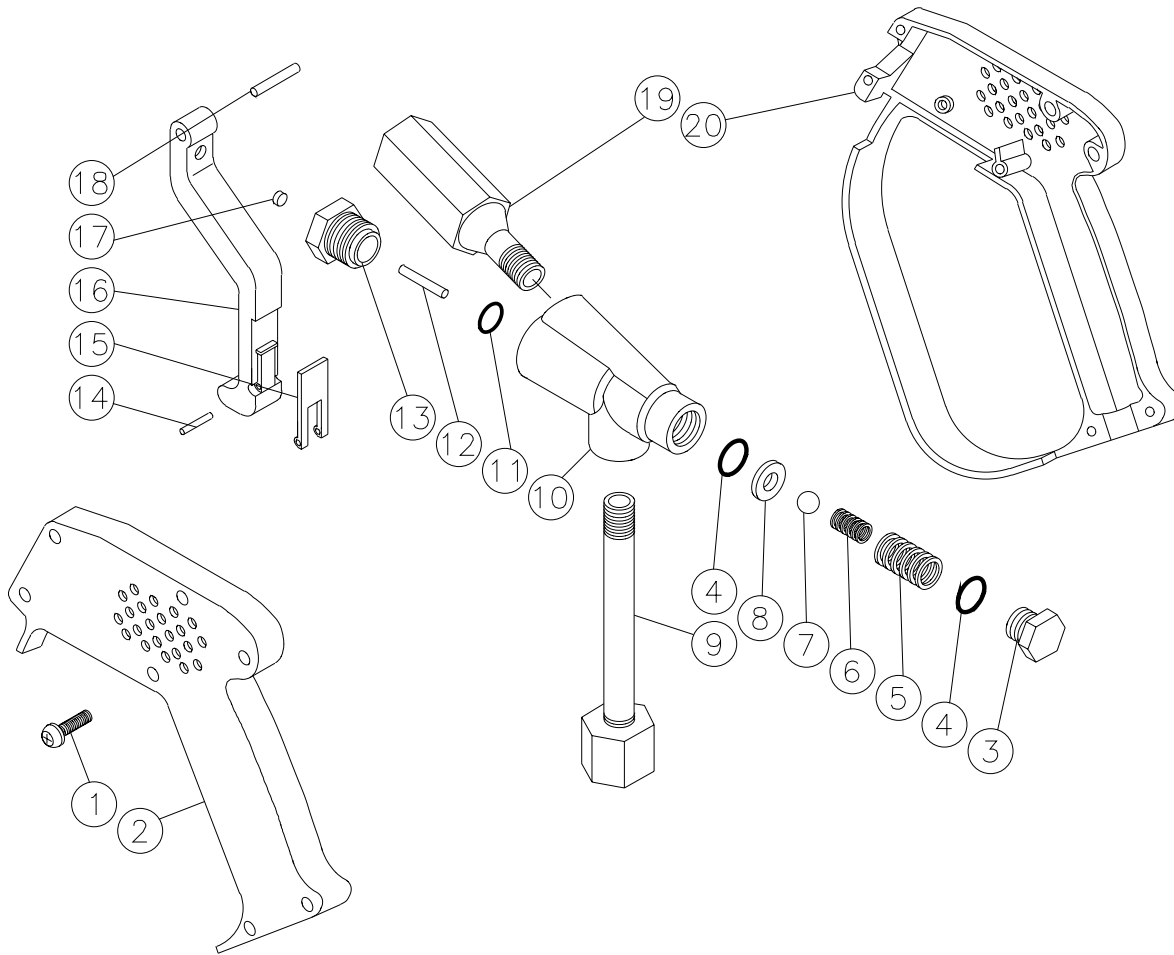
0MGEN267/102197/DCE



EASY START VALVE (22-0242)			
REF. #	DESCRIPTION	PART #	QTY.
1	Hose Barb	23-0141	1
2	Body-Easy Start	23-0337	1
3	O-ring	25-0366	1
4	Ball Seat	23-0338	1
5	Spring	49-0136	1
6	Ball-Check Valve	23-0339	1
7	Inlet Fitting	23-0340	1

0MGEN267/102197/DCE

# GUN ASSEMBLY (16-0343)



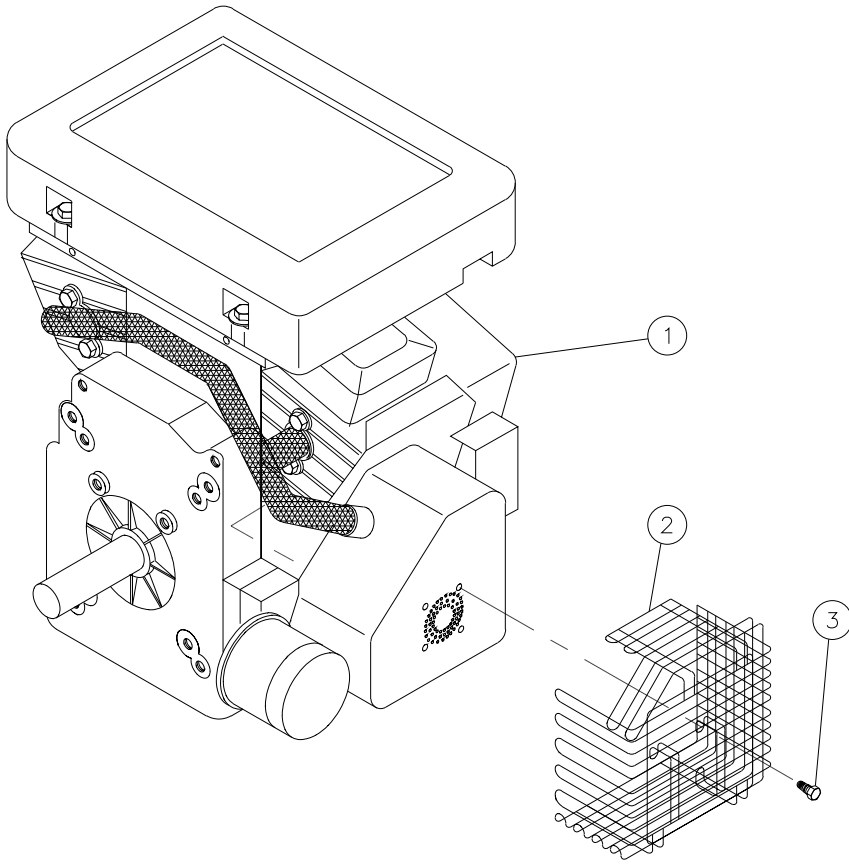
OMGEN266-101797-DCE

GUN ASSEMBLY (16-0343)			
REF. #	DESCRIPTION	PART #	QTY.
1	Screw	27-8851	7
2	Housing-Left Side	16-0344	1
3	Cap	23-0336	1
4	O-ring (See 70-0213)	N/A Sep.	1
5	Spring (See 70-0213)	N/A Sep.	1
6	Valve Spring (See 70-0213)	N/A Sep.	1
7	Valve Ball (See 70-0213)	N/A Sep.	1
8	Valve Seat (See 70-0213)	N/A Sep.	1
9	Inlet Tube	16-0345	1
10	Valve Body	16-0346	1
11	O-ring (See 70-0213)	N/A Sep.	1
12	Control Pin (See 70-0213)	N/A Sep.	1
13	Guide Sleeve	16-0048	1
14	Lock Pin	43-0025	1
15	Safety Lock	16-0347	1
16	Trigger	16-0348	1
17	Cam Trigger	16-0049	1
18	Pin	43-0024	1
19	Discharge Tube	16-0349	1
20	Housing-Right Side	16-0350	1
	Gun Repair Kit (Includes 4-8, 11, 12, 17)	70-0213	

OMGEN266/101797/DCE

©Copyright 1999, Mi-T-M Corporation

## VANGUARD ENGINE ASSEMBLY (851-0318)



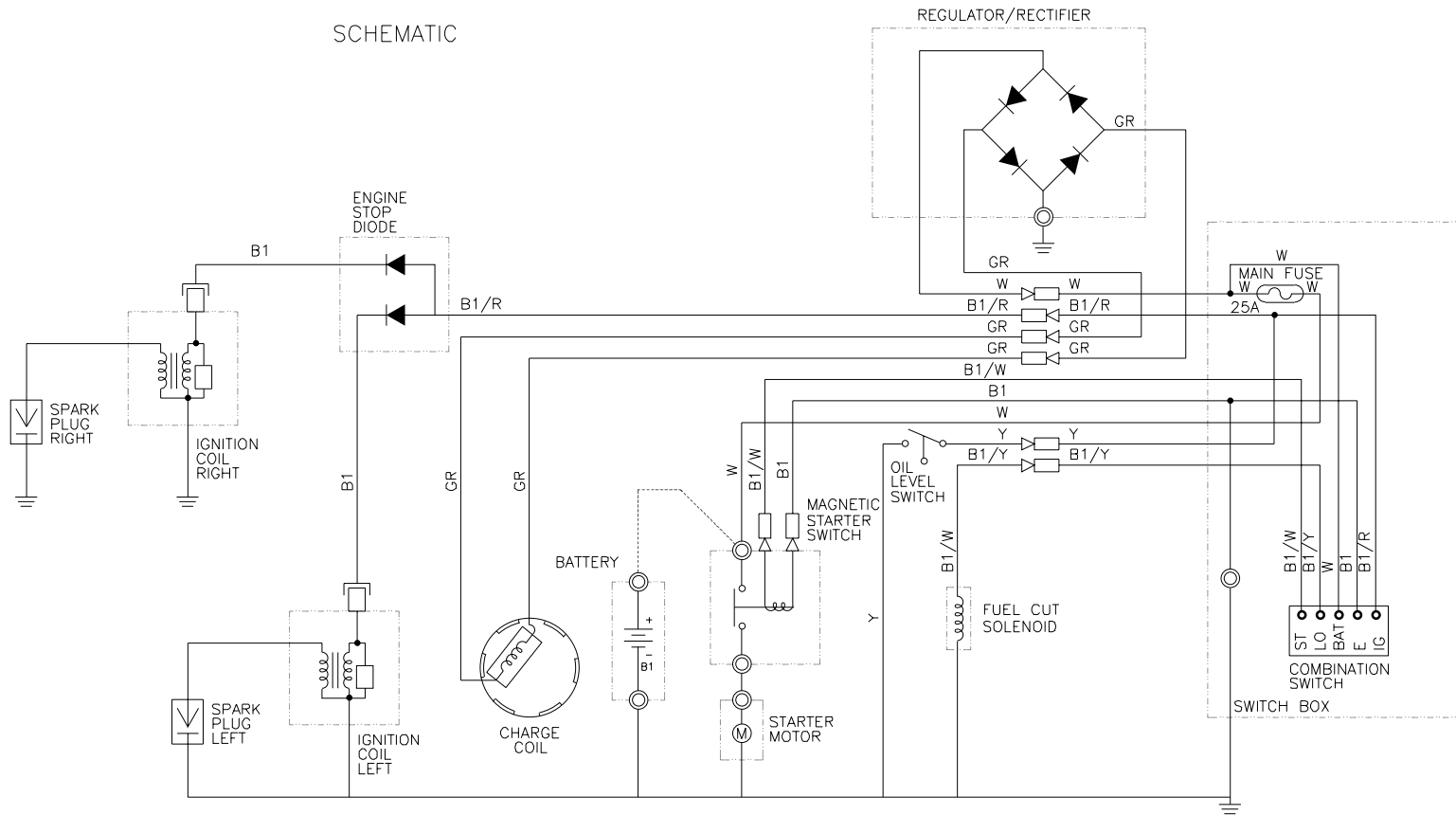
PD851318/092997/DCE

VANGUARD ENGINE ASSEMBLY (851-0318)			
REF. #	DESCRIPTION	PART #	QTY.
1	Engine-20.0 HP Vanguard	N/A Sep.	1
2	Muffler Guard	6-0065	1
3	Screw	27-3062	4

PD851-0318/092997/DCE

©Copyright 1997, Mi-T-M Corporation

# WIRING SCHEMATIC FOR HONDA ENGINE



CWU245S/100397/DCE

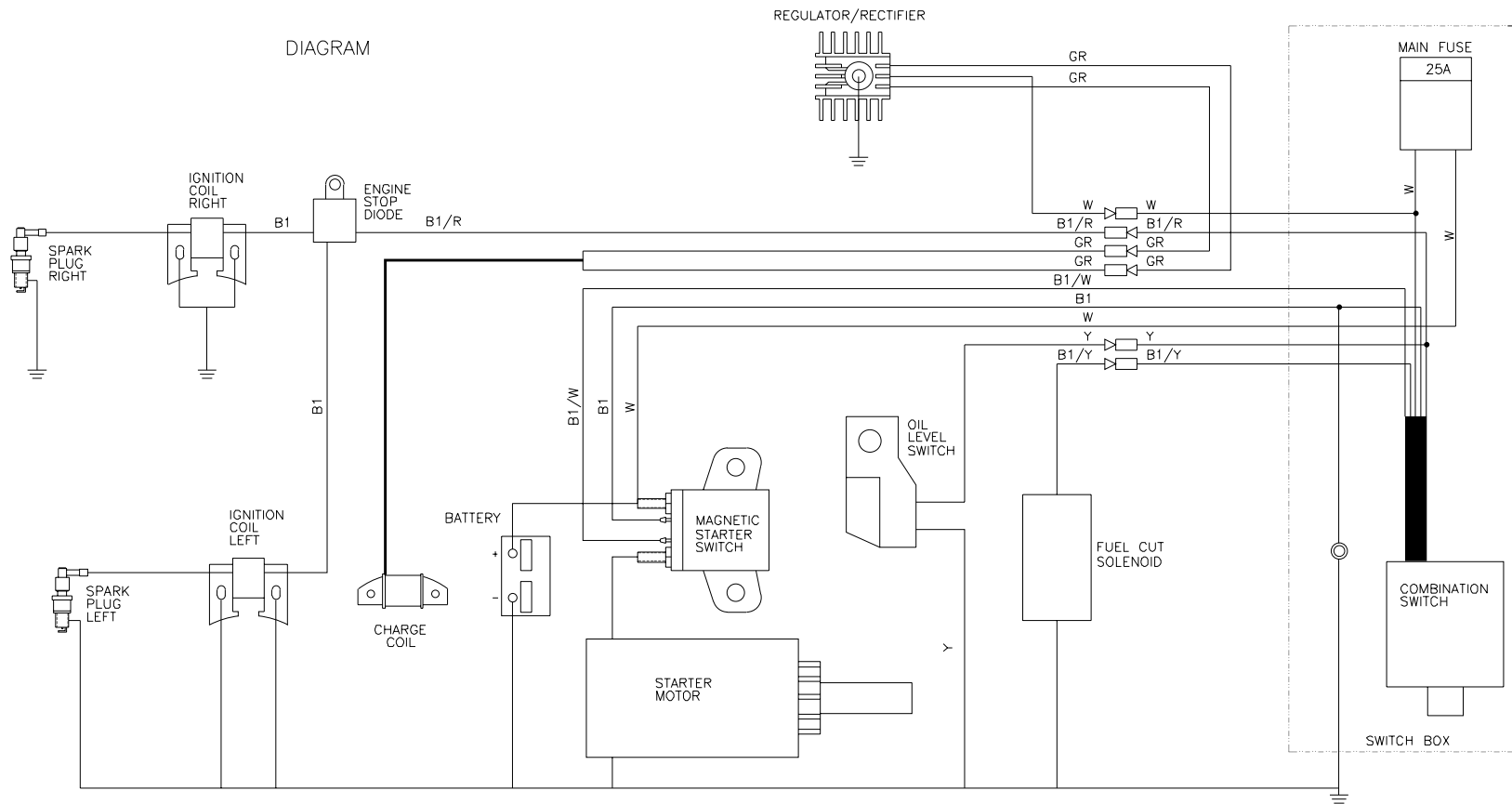
SCHEMATIC & DIAGRAM FOR CWC-4005/5004-0MGH			
REF. #	DESCRIPTION	REF. #	DESCRIPTION
B1	Black	BR	Brown
Y	Yellow	O	Orange
BU	Blue	LB	Light Blue
G	Green	LG	Light Green
R	Red	P	Pink
W	White	GR	Gray

OMCWU245/100397/DCE

©Copyright 1999, Mi-T-M Corporation

EX-9079-100599R0-1C  
Issue Date: 110197

# WIRING DIAGRAM FOR HONDA ENGINE



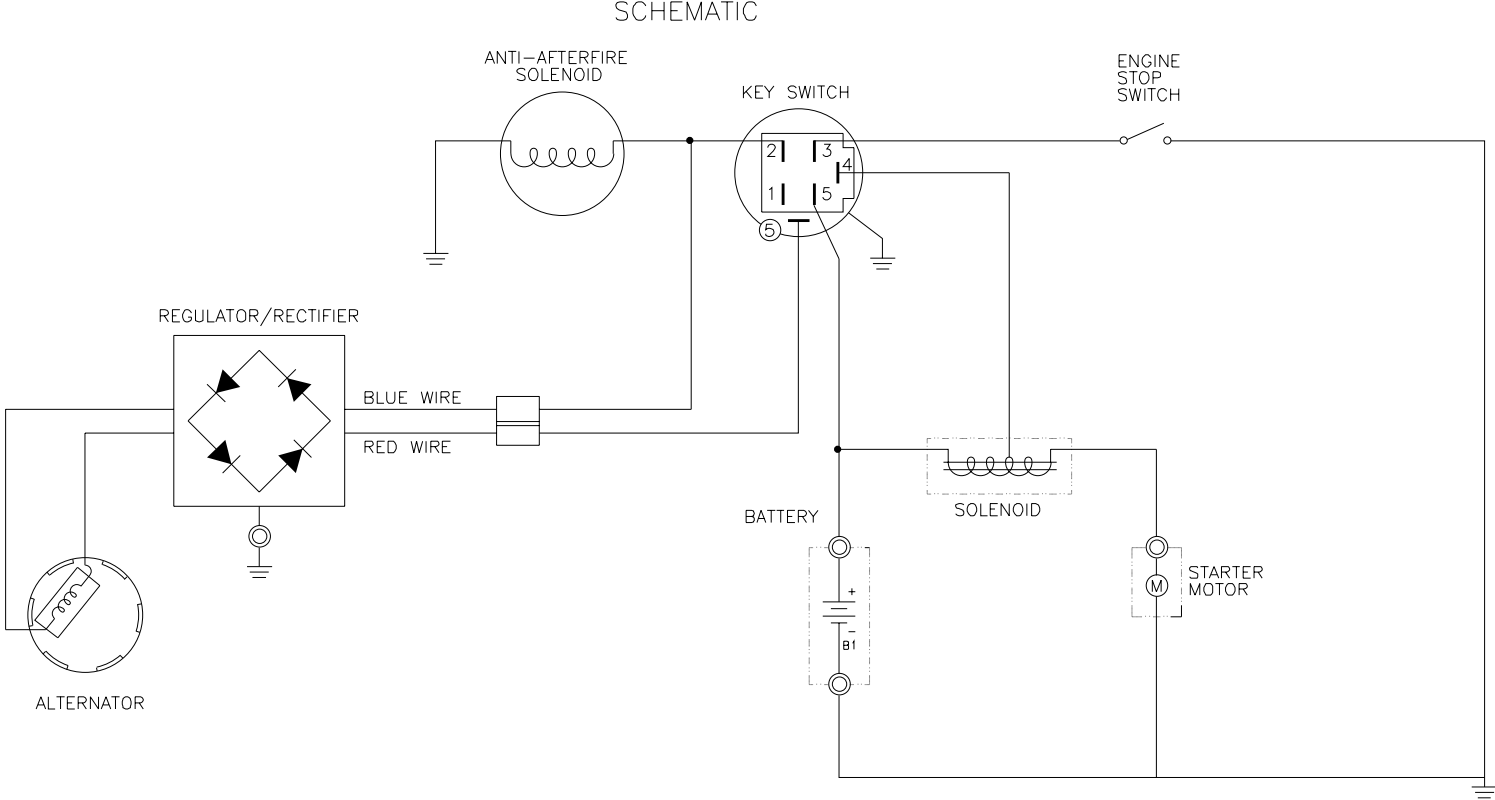
CWU245S/100397/DCE

SCHEMATIC & DIAGRAM FOR CWC-4005/5004-0MGH			
REF. #	DESCRIPTION	REF. #	DESCRIPTION
BI	Black	BR	Brown
Y	Yellow	O	Orange
BU	Blue	LB	Light Blue
G	Green	LG	Light Green
R	Red	P	Pink
W	White	GR	Gray

OMCWU245/100397/DCE

©Copyright 1997, Mi-T-M Corporation

# WIRING SCHEMATIC FOR VANGUARD ENGINES

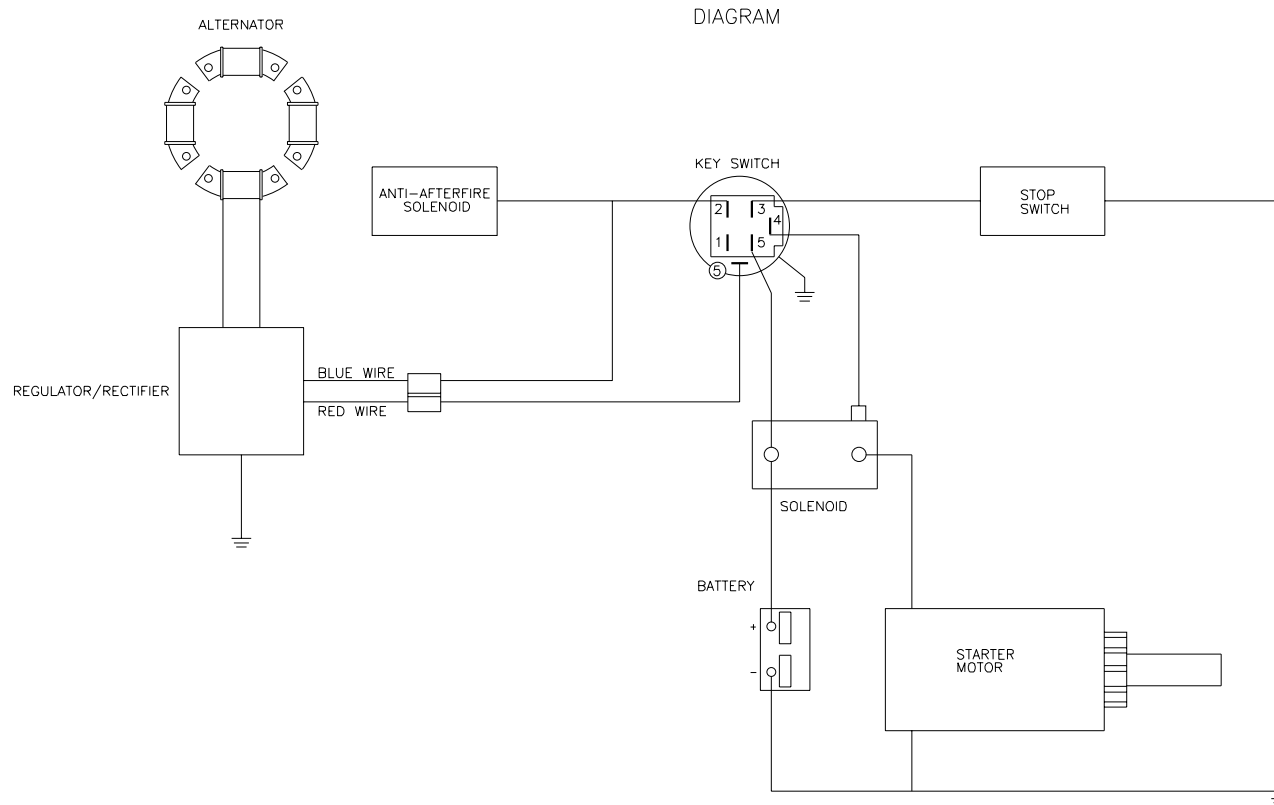


CWU246S/100397/DCE

SCHEMATIC & DIAGRAM FOR CWC-4005/5004-0MGV	
REF. #	DESCRIPTION
1	To Ground (Used only w/insulated panel)
2	To Carburetor Solenoid
3	To Stop Switch Terminal on Engine
4	To Solenoid (Tab Terminal)
5	To Battery (Battery Terminal on Solenoid)
6	To Alternator (DC Output)

OMCWU246/100397/DCE

# WIRING DIAGRAM FOR VANGUARD ENGINES



CWU246S/100397/DCE

SCHEMATIC & DIAGRAM FOR CWC-4005/5004-0MGV	
REF. #	DESCRIPTION
1	To Ground (Used only w/insulated panel)
2	To Carburetor Solenoid
3	To Stop Switch Terminal on Engine
4	To Solenoid (Tab Terminal)
5	To Battery (Battery Terminal on Solenoid)
6	To Alternator (DC Output)

OMCWU246/100397/DCE

