

Mi-T-M[®] CORPORATION

8650 Enterprise Drive, Peosta IA 52068

563-556-7484 / Fax 563-556-1235

PARTS LIST FOR ***CWC-4005-0MGH/0MGV*** ***CWC-5004-0MGH/0MGV*** (AFTER SERIAL # 397220)

ENGINE OIL GRADE:

HONDA:

VANGUARD:

SAE10W-30

ABOVE 40°F=SAE30

BELOW 40°F=SAE10W-30

ENGINE OIL CAPACITY:

PUMP OIL GRADE:

PUMP OIL CAPACITY:

PRESSURE NOZZLE SIZE FOR

CWC-4005-0MGH/GV

CWC-5004-0MGH/GV

54 oz.

Mi-T-M #AW-4085-0016

40.6 oz.

5.0

3.5

This Parts Listing has been compiled for your benefit. You can be assured your Mi-T-M Cold Water Pressure Washer was constructed and designed with quality and performance in mind using over 25 years experience in the pressure washer business. Each component has been rigorously tested to insure the highest level of acceptance.

The contents of this Parts Listing are based on the latest product information available at the time of publication. Mi-T-M reserves the right to make changes in price, color, materials, equipment, specifications or models at any time without notice.

WARNING

THIS IS A PROFESSIONAL HIGH PRESSURE, COLD WATER PRESSURE WASHER. CAUTION SHOULD BE OBSERVED WHEN USING OR REPAIRING THIS UNIT! READ AND FOLLOW THE SAFETY WARNINGS LISTED BELOW BEFORE ATTEMPTING ANY REPAIRS ON THIS PRESSURE WASHER!

SAFETY WARNINGS

1. NEVER alter or modify the equipment. Be sure any accessory items and system components being used will withstand the pressure developed. Use only genuine Mi-T-M parts for repair of your pressure washer. Failure to do so can cause hazardous operating conditions and will VOID warranty.
2. NEVER make adjustments on machinery while the unit is connected to the power source. Turning over the machinery by hand during adjustment or cleaning might start the machinery, causing serious injury to the operator.
3. Know how to stop and bleed pressures quickly. Be thoroughly familiar with controls.
4. Before servicing the unit, turn unit off, relieve the water pressure and allow the unit to cool down. Do not make repairs while the unit is running. Service in a clean, dry, flat area.
5. After testing the machine, DO NOT leave the pressurized unit unattended. Shut off the unit and release trapped pressure before leaving.

Table of Contents

SPECIFICATIONS FOR CWC-4005-0MGH/0MGV	4
SPECIFICATIONS FOR CWC-5004-0MGH/0MGV	5
FRAME ASSEMBLY FOR CWC-4005-0MGH/0MGV	6
FRAME ASSEMBLY FOR CWC-5004-0MGH/0MGV	8
PUMP ASSEMBLY (3-0169)	10
UNLOADER ASSEMBLY (8-0480)	12
GUN ASSEMBLY (16-0343)	14
HONDA ENGINE ASSEMBLY (851-0307)	16
VANGUARD ENGINE ASSEMBLY (851-0318)	18
WIRING SCHEMATIC FOR HONDA ENGINE	20
WIRING DIAGRAM FOR HONDA ENGINE	21
WIRING SCHEMATIC FOR VANGUARD ENGINES	22
WIRING DIAGRAM FOR VANGUARD ENGINES.....	23

SPECIFICATIONS FOR CWC-4005-0MGH/0MGV

CWC-4005-0MGH/V

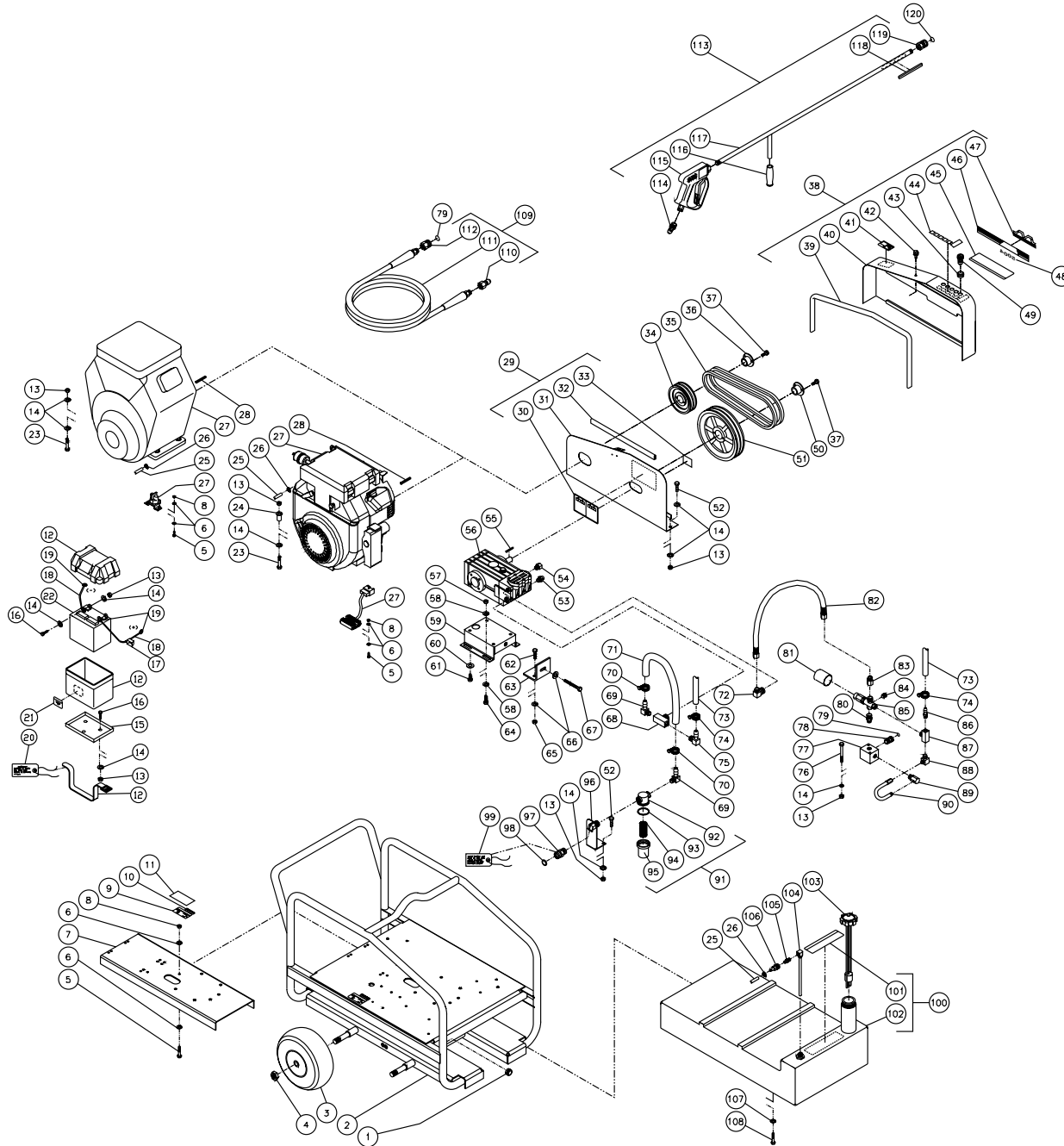
MODEL NUMBER	CWC-4005-0MGH	CWC-4005-0MGV
Operating Pressure (PSI/Bar):	4000/276	
High Pressure Nozzle:	5.0	
Water Volume (GPM/lpm):	5.0/18.9	
Engine:	Honda	Briggs & Stratton Vanguard
Horsepower	20.0	
Engine Type	4 Stroke, Overhead Valve, Single Cylinder	
Oil Type	SAE10W-30	Above 40 F = SAE30/Below 40 F = SAE10W-30
Oil Capacity (oz./liter)	54/1.6	
Low Oil Protection	Oil Alert	Oil Guard
Fuel Type	Unleaded Gasoline 86 Octane Minimum	
Fuel Capacity (gal./liter)	11.5/43.5	
Starting	Electric	
Maximum No Load RPM	3600 (+/- 100) RPM	
Heat Dump Valve	Relieves heated water during unloader bypass stage	
Pump:	Belt Driven, Oil Bath, Triplex Piston	
Oil Type	Mi-T-M Pump Oil #AW-4085-0016	
Oil Capacity (oz./liters)	40.6/1.2	
Plungers	Ceramic	
Manifold	Forged Brass	
Valves	Stainless Steel	
Unloader	Preset	
Unit Net Weight (lbs/Kg)	378/171.5	363/165
Unit Shipping Weight (lbs/Kg)	501/227	486/220.5
Unit Net Dimension (cm)	43Lx23.75Wx36H/109Lx70.5Wx91.5H	
Unit Shipping Dimension (cm)	46.5Lx31.5Wx48.5H/118Lx80Wx123H	

SPECIFICATIONS FOR CWC-5004-0MGH/0MGV

CWC-5004-0MGH/V

MODEL NUMBER	CWC-5004-0MGH	CWC-5004-0MGV
Operating Pressure (PSI/Bar):	5000/344.7	
High Pressure Nozzle:	3.5	
Water Volume (GPM/lpm):	4.0/15.1	
Engine:	Honda	Briggs & Stratton Vanguard
Horsepower	20.0	
Engine Type	4 Stroke, Overhead Valve, Single Cylinder	
Oil Type	SAE10W-30	Above 40 F = SAE30/Below 40 F = SAE10W-30
Oil Capacity (oz./liter)	54/1.6	
Low Oil Protection	Oil Alert	Oil Guard
Fuel Type	Unleaded Gasoline 86 Octane Minimum	
Fuel Capacity (gal./liter)	11.5/43.5	
Starting	Electric	
Maximum No Load RPM	3600 (+/- 100) RPM	
Heat Dump Valve	Relieves heated water during unloader bypass stage	
Pump:	Belt Driven, Oil Bath, Triplex Piston	
Oil Type	Mi-T-M Pump Oil #AW-4085-0016	
Oil Capacity (oz./liters)	40.6/1.2	
Plungers	Ceramic	
Manifold	Forged Brass	
Valves	Stainless Steel	
Unloader	Preset	
Unit Net Weight (lbs/Kg)	378/171.5	363/165
Unit Shipping Weight (lbs/Kg)	501/227	486/220.5
Unit Net Dimension (cm)	43Lx23.75Wx36H/109Lx70.5Wx91.5H	
Unit Shipping Dimension (cm)	46.5Lx31.5Wx48.5H/118Lx80Wx123H	

FRAME ASSEMBLY FOR CWC-4005-0MGH/0MGV

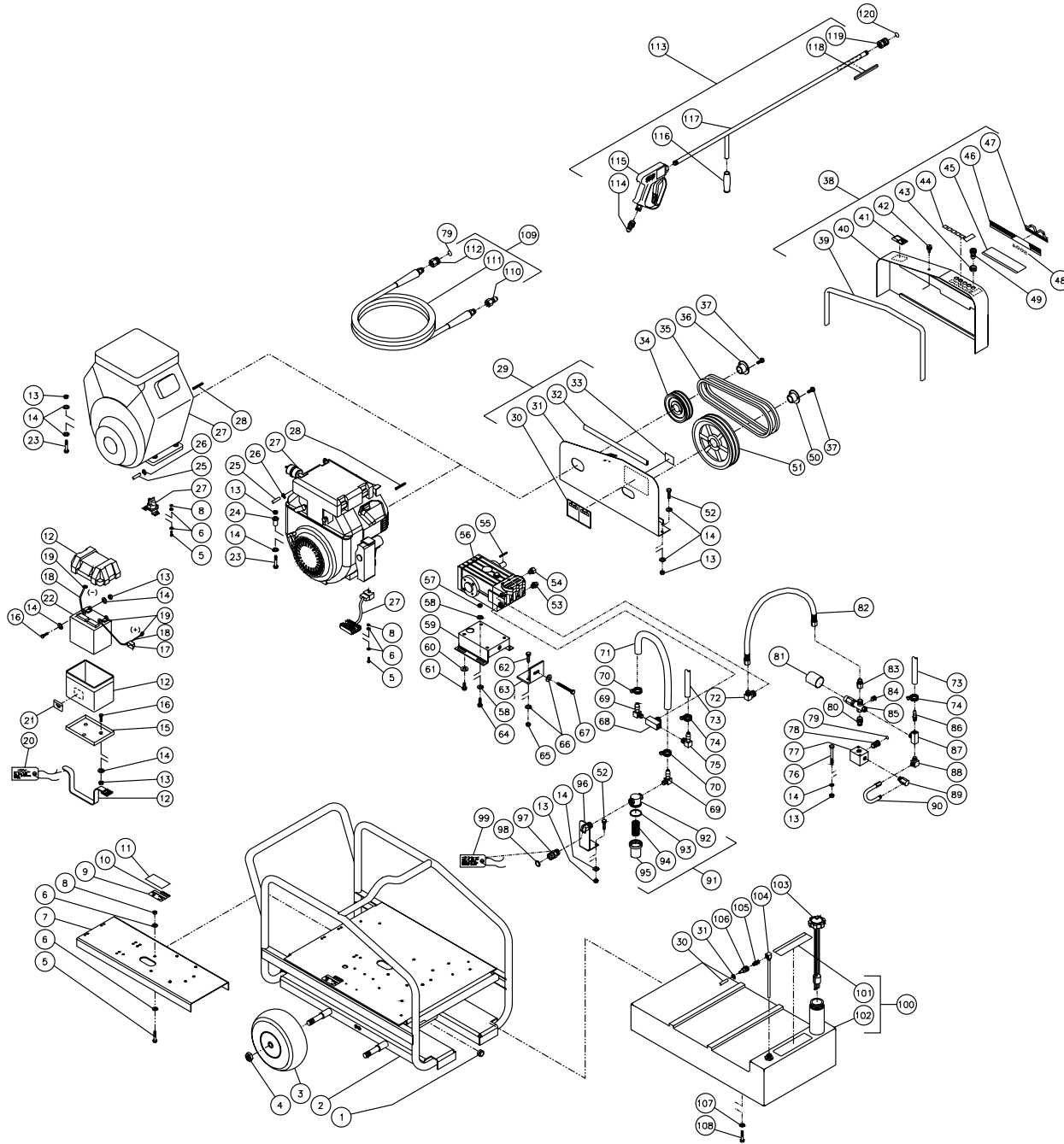


CWC-4005-0MGH/V-030501-RD

FRAME ASSEMBLY FOR CWC-4005-0MGH/0MGV														
REF. #	DESCRIPTION	PART #	QTY. 0MGH	QTY. 0MGV	REF. #	DESCRIPTION	PART #	QTY. 0MGH	QTY. 0MGV	REF. #	DESCRIPTION	PART #	QTY. 0MGH	QTY. 0MGV
1	Grommet	33-0002	2	2	41	Decal- Warning: Muffler Hot (E/S)	34-0598	1	1	80	Nipple	24-0010	1	1
2	Frame Assembly	5-0136A01	1	1	42	Fastener	33-0197	1	1	81	Heat Shrink Tubing *(One Foot Required)	33-0272	1	1
3	Wheel	14-0006	4	4	43	Grommet	33-0001	5	5	82	High Pressure Cross-Over Hose	15-0177	1	1
4	Jamnut	30-0117	4	4	44	Decal- Die Cut Nozzles	34-0500	1	1	83	Adapter	24-0150	1	1
5	Bolt	27-0016	3	3	45	Decal- Operating Instructions (E/S)	34-0813	1	1	84	Plug	39-0017	1	1
6	Washer	28-0021	6	6	46	Decal- Mi-T-M Stripe	34-0501	1	1	85	Unloader	8-0480	1	1
7	Support Bracket	13-0120A01	1	1	47	Mi-T-M Logo	62-0086	1	1	86	Barb	23-0105	1	1
8	Nut	30-0155	3	3	48	Decal- Die Cut 4005	34-0833	1	1	87	Branch	23-0117	1	1
9	Decal- Data Plate	N/A	1	1	49	Spray Nozzle- 0005	18-0003	1	1	88	Elbow	23-0324	1	1
10	Decal- Serial Number	N/A	1	1	-	Spray Nozzle- 1505	18-0004	1	1	89	Valve	22-0242	1	1
11	Decal- Clear Laminate	N/A	1	1	-	Spray Nozzle- 2505	18-0153	1	1	90	Hose Barb	15-0140	1	1
12	Battery Box	33-0092	1	1	-	Spray Nozzle- 4005	18-0180	1	1	91	Strainer Assembly (Inc. 92-95, 97, 98)	19-0057	1	1
13	Ny-lok Nut	30-0157	16	16	50	Bushing	9-0017	1	1	92	Strainer Cap	19-0058	1	1
14	Washer	28-0003	24	28	51	Sheave	10-0012	1	1	93	Strainer Gasket	26-0160	1	1
15	Battery Retainer	20-0264A01	1	1	52	Bolt	27-0067	6	6	94	Strainer Screen	19-0059	1	1
16	Bolt	27-0066	4	4	53	Relief Valve	22-0005	1	1	95	Strainer Bowl	19-0060	1	1
17	Battery Cable Cover	33-0004	1	1	54	Valve	22-0319	1	1	96	Bracket	20-0428A01	1	1
18	Battery Cable *(Four Feet Required) Pos.=22" Neg.=16"	32-0065	1	1	55	Key w/Pump	43-0028	1	1	97	Garden Hose Swivel	23-0095	1	1
19	Terminal Ring	32-0097	4	4	56	Pump	3-0169	1	1	98	Garden Hose Gasket	26-0001	1	1
20	Tag- Battery	34-0096	1	1	57	Locknut	30-0161	4	4	99	Tag- Water Inlet Supply	34-0097	1	1
21	Decal- Caution: Disconnect Battery	34-0589	1	1	58	Washer	28-0030	8	8	100	Fuel Tank Assembly (Inc. 101, 102)	851-0319	1	1
22	Battery	32-0058	1	1	59	Pump Bracket	5-0101A01	1	1	101	Decal- Caution: Gas Only (E/S)	34-0835	1	1
23	Bolt	27-0071	4	4	60	Washer w/Pump	29-0055	4	4	102	Fuel Tank (See 851-0319)	N/A Sep.	1	1
24	Shim	33-0169	4	-	61	Bolt w/Pump	27-8471	4	4	103	Fuel Cap w/Gauge	12-0061	1	1
25	Fuel Line *(Four Feet Required)	15-0031	1	-	62	Bolt	27-0118	2	2	104	Fuel Pick-up	33-0271	1	1
-	Fuel Line *(Three Feet Required)	15-0031	-	1	63	Brace Tightner	13-0003A01	1	1	105	Quick Connect Plug	17-0038	1	1
26	Hose Clamp	42-0004	2	2	64	Bolt	27-0167	4	4	106	Quick Connect Socket	17-0018	1	1
27	Motor Assembly	851-0307	1	-	65	Locknut	30-0159	2	2	107	Washer	28-0022	4	4
-	Motor Assembly	851-0318	-	1	66	Washer	28-0023	3	3	108	Bolt	27-9524	4	4
28	Key	43-0078	1	1	67	Bolt	27-0576	1	1	109	Pressure Hose Assembly (Inc. 110-112)	851-0006	1	1
29	Beltguard Back Assembly (Inc. 30-33)	851-0310	1	1	68	Branch "T"	23-0235	1	1	110	Quick Connect Plug	17-0006	1	1
30	Decal- Warning/Caution (E/S)	34-0812	1	1	69	Elbow	23-0037	1	1	111	Pressure Hose	15-0004	1	1
31	Beltguard Back (See 851-0310)	N/A Sep.	1	1	70	Clamp	42-0003	2	2	112	Quick Connect Socket	17-0004	1	1
32	Edging *(Two Feet Required)	33-0020	1	1	71	Hose *(Two Feet Required)	15-0033	1	1	113	Gun/Lance Assembly (Inc. 114-119)	851-0309	1	1
33	Decal- Warning: Beltguard (E/S)	34-0826	1	1	72	Elbow	24-0092	1	1	114	Quick Connect Plug	17-0005	1	1
34	Sheave	10-0119	1	1	73	Hose *(Three Feet Required)	15-0007	1	1	115	Gun	16-0343	1	1
35	Belt	11-0054	2	2	74	Clamp	42-0011	2	2	116	Grip Handle	7-0002	1	1
36	Bushing	9-0005	1	1	75	Elbow	23-0053	1	1	117	Lance	16-0342A01	1	1
37	Bolt	27-0015	4	4	76	Bolt	27-0074	2	2	118	Decal- Warning: Risk of Injection (English Only)	34-0572	1	1
38	Beltguard Cover Assembly (Inc. 39-47)	851-0311	1	1	77	Manifold Block	51-0020	1	1	119	Quick Connect	17-0036	1	1
39	Edging *(Four Feet Required)	33-0020	1	1	78	Quick Connect Socket	17-0042	1	1	120	O-ring (Replacement Only)	25-0122	-	-
40	Beltguard Cover (See 851-0311)	N/A Sep.	1	1	79	O-ring (Replacement Only)	25-0123	-	-					

*Must Order in One Foot Lengths

FRAME ASSEMBLY FOR CWC-5004-0MGH/0MGV

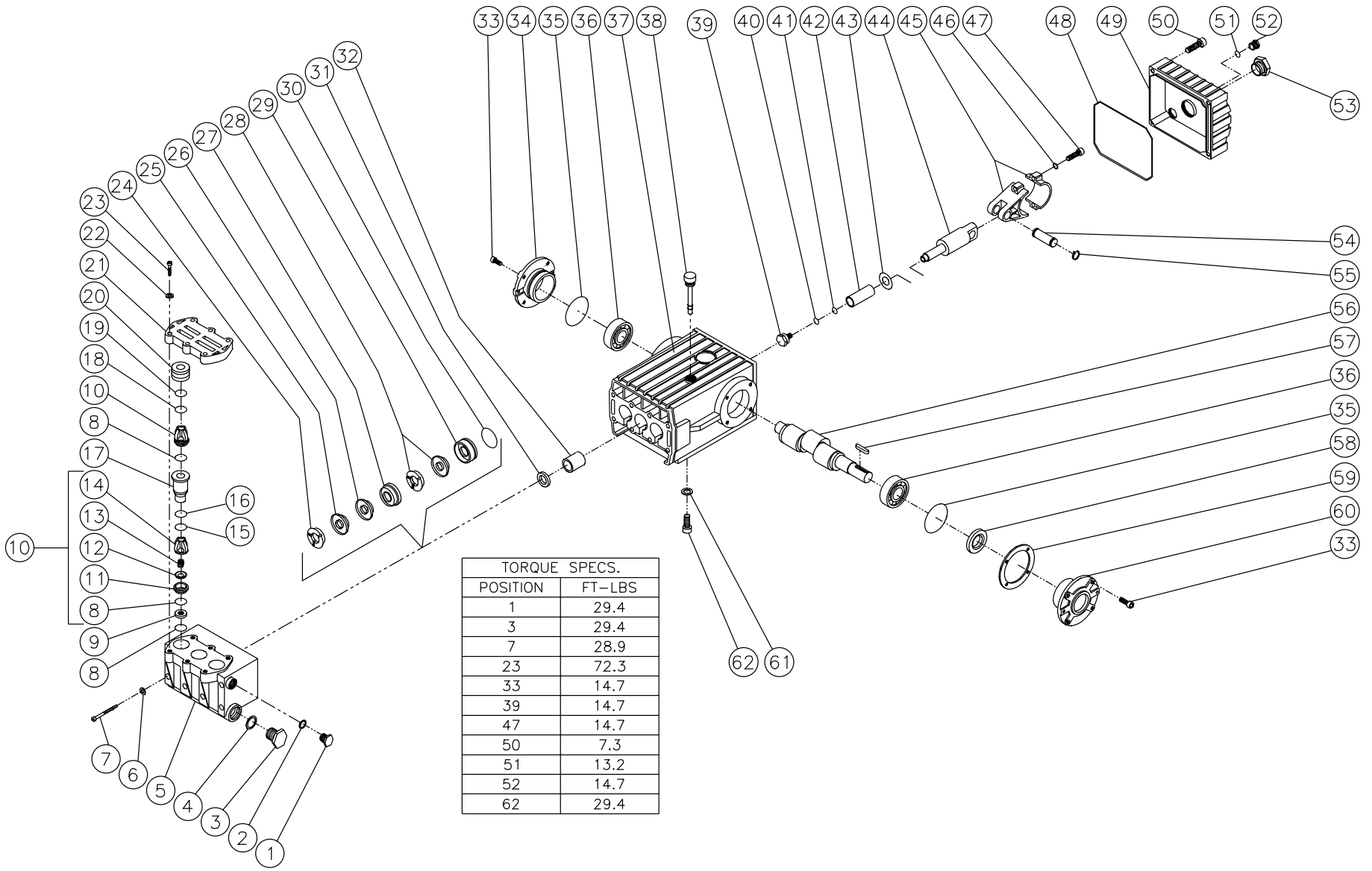


CWC-5004-0MGH/V-030601-EDW

FRAME ASSEMBLY FOR CWC-5004-OMGH/OMGV														
REF. #	DESCRIPTION	PART #	QTY. OMGH	QTY. OMGV	REF. #	DESCRIPTION	PART #	QTY. OMGH	QTY. OMGV	REF. #	DESCRIPTION	PART #	QTY. OMGH	QTY. OMGV
1	Grommet	33-0002	2	2	41	Decal- Warning: Muffler Hot (E/S)	34-0598	1	1	80	Nipple	24-0010	1	1
2	Frame Assembly	5-0136A01	1	1	42	Fastener	33-0197	1	1	81	Heat Shrink Tubing *(One Foot Required)	33-0272	1	1
3	Wheel	14-0006	4	4	43	Grommet	33-0001	5	5	82	High Pressure Cross-Over Hose	15-0177	1	1
4	Jamnut	30-0117	4	4	44	Decal- Die Cut Nozzles	34-0500	1	1	83	Adapter	24-0150	1	1
5	Bolt	27-0016	3	3	45	Decal- Operating Instructions (E/S)	34-0813	1	1	84	Plug	39-0017	1	1
6	Washer	28-0021	6	6	46	Decal- Mi-T-M Stripe	34-0501	1	1	85	Unloader	8-0480	1	1
7	Support Bracket	13-0120A01	1	1	47	Mi-T-M Logo	62-0086	1	1	86	Barb	23-0105	1	1
8	Nut	30-0155	3	3	48	Decal- Die Cut 5004	34-0834	1	1	87	Branch	23-0117	1	1
9	Decal- Data Plate	N/A	1	1	49	Spray Nozzle- 00035	18-0257	1	1	88	Elbow	23-0324	1	1
10	Decal- Serial Number	N/A	1	1	-	Spray Nozzle- 15035	18-0258	1	1	89	Valve	22-0242	1	1
11	Decal- Clear Laminate	N/A	1	1	-	Spray Nozzle- 25035	18-0259	1	1	90	Hose Barb	15-0140	1	1
12	Battery Box	33-0092	1	1	-	Spray Nozzle- 40035	18-0260	1	1	91	Strainer Assembly (Inc. 92-95, 97, 98)	19-0057	1	1
13	Ny-lok Nut	30-0157	16	16	50	Bushing	9-0017	1	1	92	Strainer Cap	19-0058	1	1
14	Washer	28-0003	24	28	51	Sheave	10-0012	1	1	93	Strainer Gasket	26-0160	1	1
15	Battery Retainer	20-0264A01	1	1	52	Bolt	27-0067	6	6	94	Strainer Screen	19-0059	1	1
16	Bolt	27-0066	4	4	53	Relief Valve	22-0005	1	1	95	Strainer Bowl	19-0060	1	1
17	Battery Cable Cover	33-0004	1	1	54	Valve	22-0319	1	1	96	Bracket	20-0428A01	1	1
18	Battery Cable *(Four Feet Required) Pos.=22" Neg.=16"	32-0065	1	1	55	Key w/Pump	43-0028	1	1	97	Garden Hose Swivel	23-0095	1	1
19	Terminal Ring	32-0097	4	4	56	Pump	3-0169	1	1	98	Garden Hose Gasket	26-0001	1	1
20	Tag- Battery	34-0096	1	1	57	Locknut	30-0161	4	4	99	Tag- Water Inlet Supply	34-0097	1	1
21	Decal- Caution: Disconnect Battery	34-0589	1	1	58	Washer	28-0030	8	8	100	Fuel Tank Assembly (Inc. 101, 102)	851-0319	1	1
22	Battery	32-0058	1	1	59	Pump Bracket	5-0101A01	1	1	101	Decal- Caution: Gas Only (E/S)	34-0835	1	1
23	Bolt	27-0071	4	4	60	Washer w/Pump	29-0055	4	4	102	Fuel Tank (See 851-0319)	N/A Sep.	1	1
24	Shim	33-0169	4	-	61	Bolt w/Pump	27-8471	4	4	103	Fuel Cap w/Gauge	12-0061	1	1
25	Fuel Line *(Four Feet Required)	15-0031	1	-	62	Bolt	27-0118	2	2	104	Fuel Pick-up	33-0271	1	1
-	Fuel Line *(Three Feet Required)	15-0031	-	1	63	Brace Tightner	13-0003A01	1	1	105	Quick Connect Plug	17-0038	1	1
26	Hose Clamp	42-0004	2	2	64	Bolt	27-0167	4	4	106	Quick Connect Socket	17-0018	1	1
27	Motor Assembly	851-0307	1	-	65	Locknut	30-0159	2	2	107	Washer	28-0022	4	4
-	Motor Assembly	851-0318	-	1	66	Washer	28-0023	3	3	108	Bolt	27-9524	4	4
28	Key	43-0078	1	1	67	Bolt	27-0576	1	1	109	Pressure Hose Assembly (Inc. 110-112)	851-0317	1	1
29	Beltguard Back Assembly (Inc. 30-33)	851-0310	1	1	68	Branch **	23-0235	1	1	110	Quick Connect Plug	17-0006	1	1
30	Decal- Warning/Caution (E/S)	34-0812	1	1	69	Elbow	23-0037	1	1	111	Pressure Hose	15-0178	1	1
31	Beltguard Back (See 851-0310)	N/A Sep.	1	1	70	Clamp	42-0003	2	2	112	Quick Connect Socket	17-0041	1	1
32	Edging *(Two Feet Required)	33-0020	1	1	71	Hose *(Two Feet Required)	15-0033	1	1	113	Gun/Lance Assembly (Inc. 114-119)	851-0309	1	1
33	Decal- Warning: Beltguard (E/S)	34-0826	1	1	72	Elbow	24-0092	1	1	114	Quick Connect Plug	17-0005	1	1
34	Sheave	10-0043	1	1	73	Hose *(Three Feet Required)	15-0007	1	1	115	Gun	16-0343	1	1
35	Belt	11-0053	2	2	74	Clamp	42-0011	2	2	116	Grip Handle	7-0002	1	1
36	Bushing	9-0005	1	1	75	Elbow	23-0053	1	1	117	Lance	16-0342A01	1	1
37	Bolt	27-0015	4	4	76	Bolt	27-0074	2	2	118	Decal- Warning: Risk of Injection (English Only)	34-0572	1	1
38	Beltguard Cover Assembly (Inc. 39-47)	851-0311	1	1	77	Manifold Block	51-0020	1	1	119	Quick Connect	17-0036	1	1
39	Edging *(Four Feet Required)	33-0020	1	1	78	Quick Connect Socket	17-0042	1	1	120	O-ring (Replacement Only)	25-0122	-	-
40	Beltguard Cover (See 851-0311)	N/A Sep.	1	1	79	O-ring (Replacement Only)	25-0123	-	-					

*Must Order in One Foot Lengths

PUMP ASSEMBLY (3-0169)

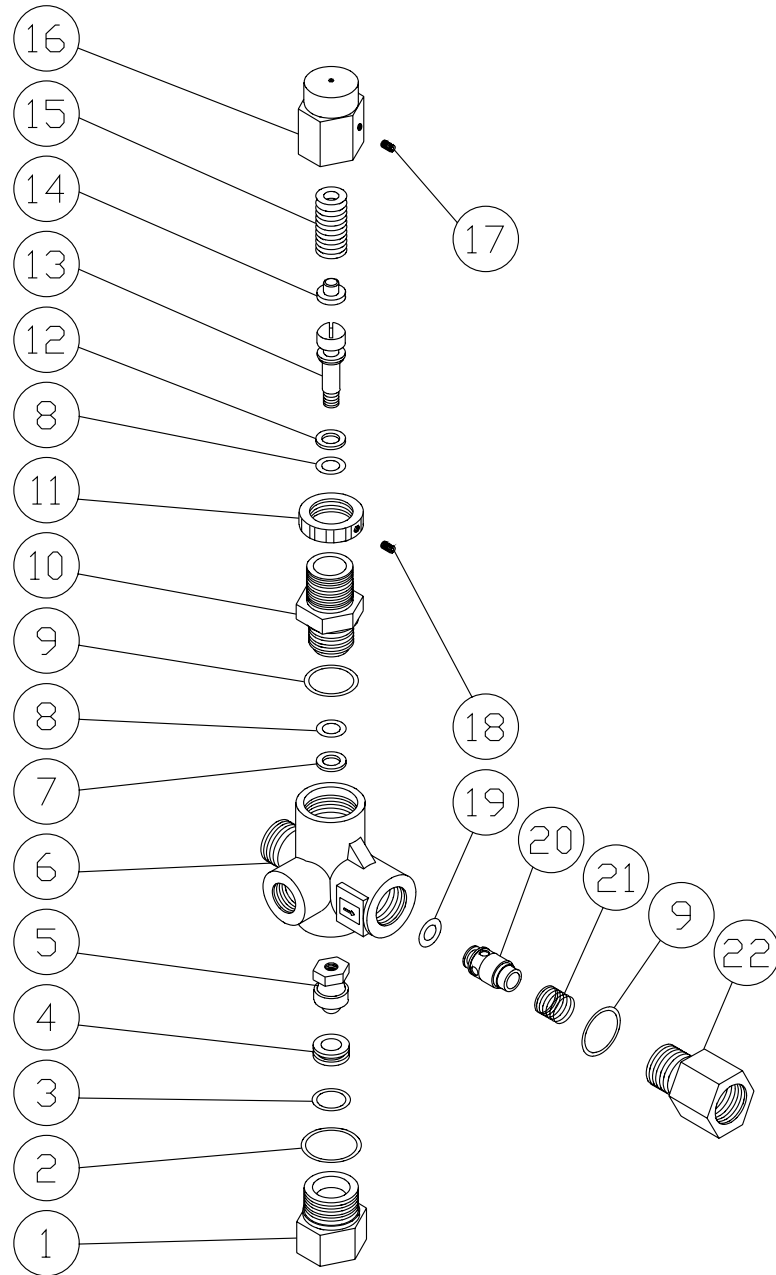


TORQUE SPECS.	
POSITION	FT-LBS
1	29.4
3	29.4
7	28.9
23	72.3
33	14.7
39	14.7
47	14.7
50	7.3
51	13.2
52	14.7
62	29.4

3-0169-050200-RD

PUMP ASSEMBLY (3-0169)											
REF. #	DESCRIPTION	PART #	QTY.	REF. #	DESCRIPTION	PART #	QTY.	REF. #	DESCRIPTION	PART #	QTY.
1	Plug	39-0018	1	24	High Pressure Head Ring (See 70-0211)	N/A Sep.	3	47	Bolt	27-8435	6
2	Washer	28-0600	1	25	High Pressure V-Packing (See 70-0211)	N/A Sep.	3	48	O-ring	25-0339	1
3	Plug	39-0019	1	26	V-Packing Support (See 70-0211)	N/A Sep.	3	49	Crankcase Cover	46-0295	1
4	Washer	28-0601	1	27	High Pressure Intermediate Seal Retainer (See 70-0211)	N/A Sep.	3	50	Bolt	27-8404	5
5	Manifold	46-0770	1	28	Low Pressure Seal (See 70-0211)	N/A Sep.	3	51	Oil Level Indicator	46-0114	1
6	Washer	28-0210	8	29	Low Pressure Seal Retainer	46-0286	3	52	Plug	39-0017	1
7	Bolt	27-8239	8	30	O-ring	25-0015	3	53	O-ring	25-0014	1
8	O-ring (See 70-0212)	N/A Sep.	8	31	Oil Seal (See 70-0208)	N/A Sep.	3	54	Connecting Rod Pin	43-0032	3
9	Spacer	46-0771	3	32	Bushing	9-0029	3	55	Retaining Ring	46-0103	6
10	Valve Assembly (Inc. 8, 11-14) (See 70-0212)	N/A Sep.	6	33	Bolt	27-8431	8	56	Crankshaft	46-0776	1
11	Valve Seat (See 70-0212)	N/A Sep.	6	34	Crankcase Cover- Closed	46-0336	1	57	Key	43-0048	1
12	Valve Plate (See 70-0212)	N/A Sep.	6	35	O-ring	25-0013	2	58	Oil Seal (See 70-0209)	N/A Sep.	1
13	Valve Spring (See 70-0212)	N/A Sep.	6	36	Bearing	48-0012	2	59	Shim	46-0113	1
14	Valve Cage (See 70-0212)	N/A Sep.	6	37	Crankcase	46-0292	1	60	Crankcase Cover- Open	46-0296	1
15	Back-up Ring	25-0430	3	38	Oil Dip Stick	46-0144	1	61	Lockwasher	29-0055	4
16	O-ring	25-0160	3	39	Piston Screw	46-0285	3	62	Bolt	27-8471	4
17	Guide	46-0772	3	40	Plunger	46-0337	3		Valve Assembly (6 each 10)	70-0212	
18	O-ring	25-0151	3	41	O-ring	25-0138	3		Head Ring Kit (3 each 24)	70-0031	
19	Back-up Ring	25-0431	3	42	Back-up Ring	25-0137	3		V-Packing Kit (3 each 25, 26, 28)	70-0042	
20	Cap	46-0773	3	43	Washer	46-0283	3		Oil Seal Kit (3 each 31)	70-0208	
21	Valve Cover Plate	46-0774	1	44	Piston Rod	46-0294	3		Oil Seal Kit (2 each 58)	70-0209	
22	Lockwasher	29-0156	6	45	Connecting Rod	46-0051	3		Intermediate Retainer (Inc. 24-30)	70-0210	
23	Bolt	27-8492	6	46	Lockwasher	29-0154	6		Packing Assembly (Inc. 24-30)	70-0211	

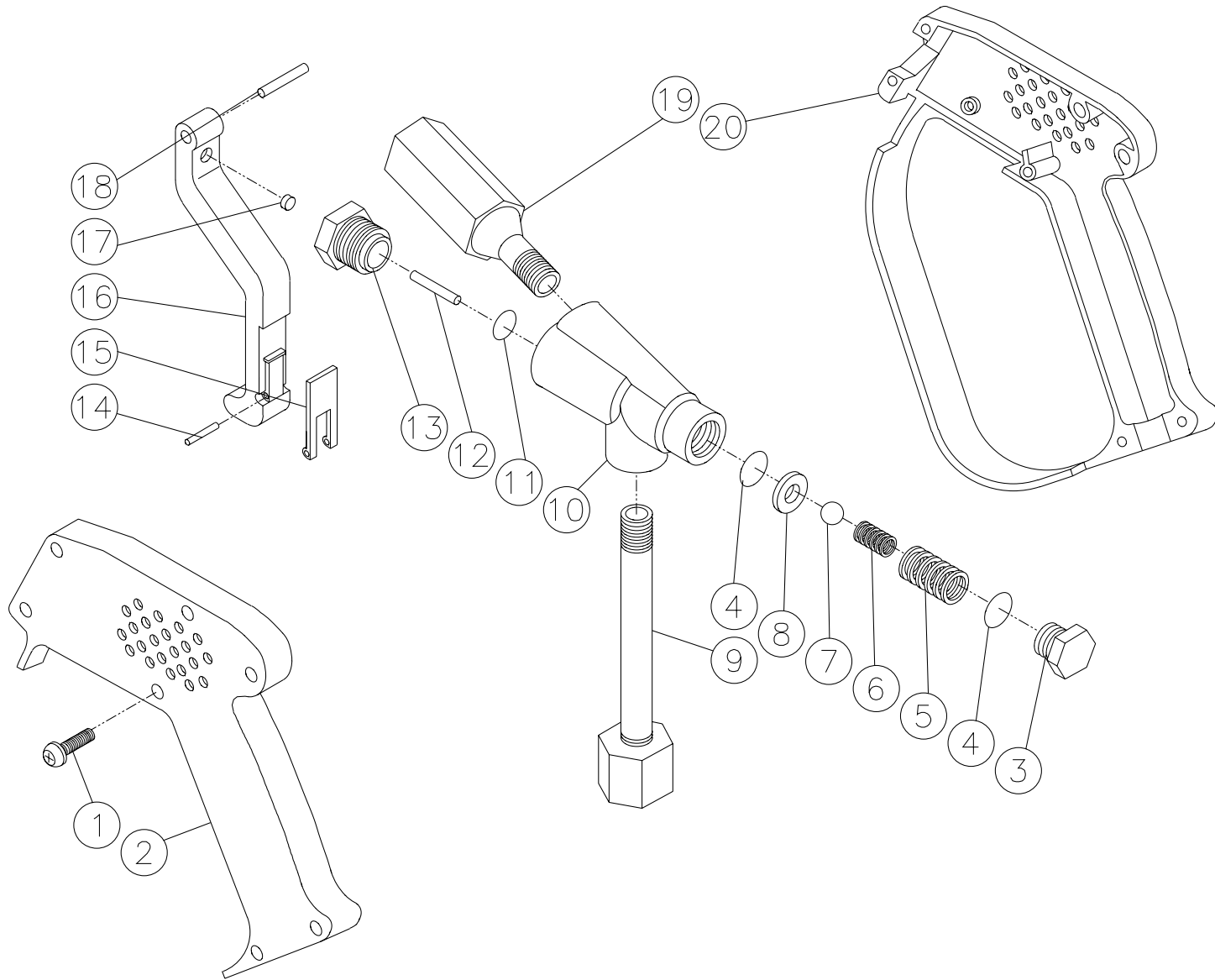
UNLOADER ASSEMBLY (8-0480)



8-0480-053000-RD

UNLOADER ASSEMBLY (8-0480)			
REF. #	DESCRIPTION	PART #	QTY.
1	Bypass Cap	39-0083	1
2	O-ring (See 70-0207)	N/A Sep.	1
3	O-ring (See 70-0207)	N/A Sep.	1
4	Bypass Seat (See 70-0207)	N/A Sep.	1
5	Valve and Ball Assy. (See 70-0207)	N/A Sep.	1
6	Unloader Body	8-0481	1
7	Back-up Ring (See 70-0207)	N/A Sep.	1
8	O-ring (See 70-0207)	N/A Sep.	2
9	O-ring (See 70-0207)	N/A Sep.	2
10	Piston Retainer	8-0482	1
11	Locknut	30-6023	1
12	Back-up Ring (See 70-0207)	N/A Sep.	1
13	Piston Stem	8-0483	1
14	Spring Retainer	8-0484	1
15	Spring	49-0133	1
16	Adjustable Cap	39-0099	1
17	Set Screw	8-0485	1
18	Set Screw	8-0408	1
19	O-ring (See 70-0207)	N/A Sep.	1
20	Flow Balancer	8-0486	1
21	Spring	49-0118	1
22	Outlet Fitting	8-0487	1
	O-ring Kit (2-5, 7-9, 12, 19)	70-0207	
	Unloader Complete (Inc. 1-22)	8-0480	

GUN ASSEMBLY (16-0343)

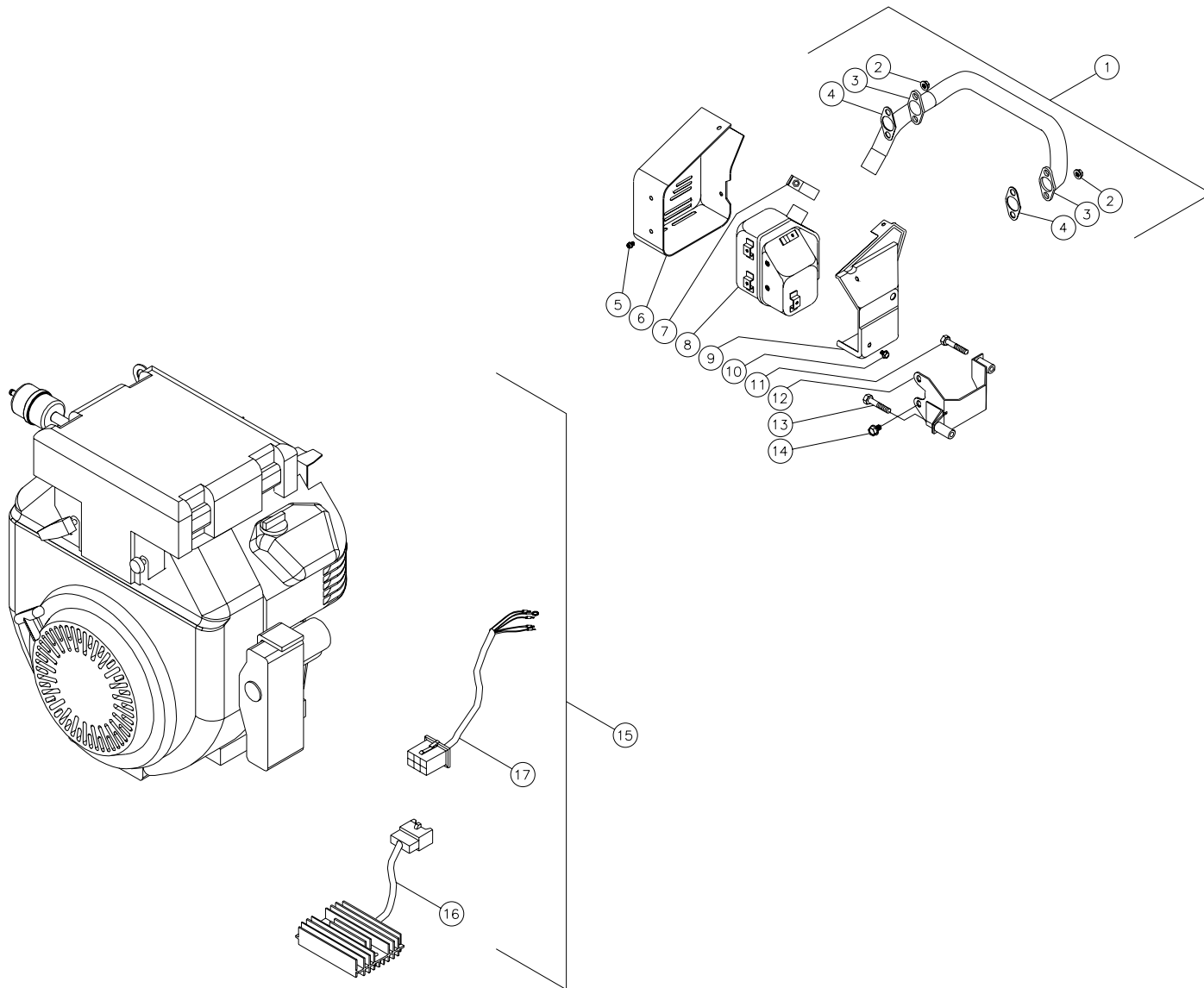


16-0343-042800-RD

GUN ASSEMBLY (16-0343)

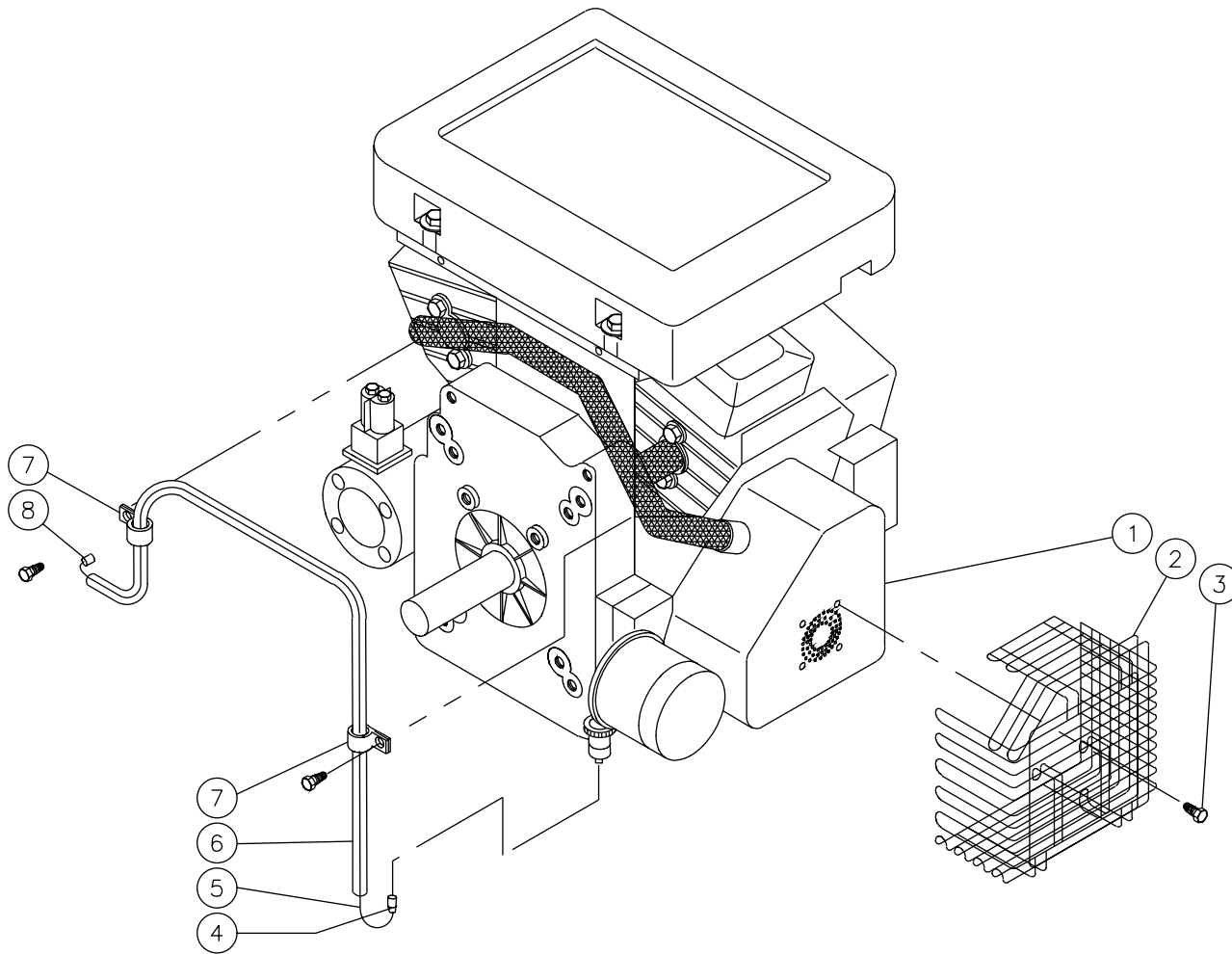
REF. #	DESCRIPTION	PART #	QTY.	REF. #	DESCRIPTION	PART #	QTY.
1	Screw	27-8851	7	12	Control Pin (See 70-0213)	N/A Sep.	1
2	Housing- Left Side	16-0344	1	13	Guide Sleeve	16-0048	1
3	Cap	23-0336	1	14	Lock Pin	43-0025	1
4	O-ring (See 70-0213)	N/A Sep.	2	15	Safety Lock	16-0347	1
5	Spring (See 70-0213)	N/A Sep.	1	16	Trigger	16-0348	1
6	Valve Spring (See 70-0213)	N/A Sep.	1	17	Cam Trigger (See 70-0213)	N/A Sep.	1
7	Valve Ball (See 70-0213)	N/A Sep.	1	18	Pin	43-0024	1
8	Valve Seat (See 70-0213)	N/A Sep.	1	19	Discharge Tube Assembly	16-0349	1
9	Inlet Tube Assembly	16-0345	1	20	Housing- Right Side	16-0350	1
10	Valve Body	16-0346	1		Repair Kit (Inc. 4-8, 11, 12, 17)	70-0213	
11	O-ring (See 70-0213)	N/A Sep.	1				

HONDA ENGINE ASSEMBLY (851-0307)



HONDA ENGINE ASSEMBLY (851-0307)			
REF. #	DESCRIPTION	PART #	QTY.
1	Muffler Assembly (3, 5-14)	45-0078	1
2	Flange Nut (See 1-0102)	N/A Sep.	4
3	Exhaust Pipe - Oil Filter Side (See 45-0078)	N/A Sep.	1
4	Exhaust Gasket (See 1-0102)	N/A Sep.	2
5	Screw (See 45-0078)	N/A Sep.	4
6	Outer Muffler Protector (See 45-0078)	N/A Sep.	1
7	Exhaust Pipe Band (See 45-0078)	N/A Sep.	1
8	Muffler (See 45-0078)	N/A Sep.	1
9	Inner Muffler Protector (See 45-0078)	N/A Sep.	1
10	Flange Bolt (See 45-0078)	N/A Sep.	3
11	Flange Bolt (See 45-0078)	N/A Sep.	1
12	Muffler Stay (See 45-0078)	N/A Sep.	1
13	Flange Bolt (See 45-0078)	N/A Sep.	1
14	Flange Bolt (See 45-0078)	N/A Sep.	2
15	Engine-20 HP (2, 4, 16, 17)	1-0102	1
16	Bolt (See 1-0102)	N/A Sep.	1
17	Air Filter Cover (See 1-0102)	N/A Sep.	1

VANGUARD ENGINE ASSEMBLY (851-0318)

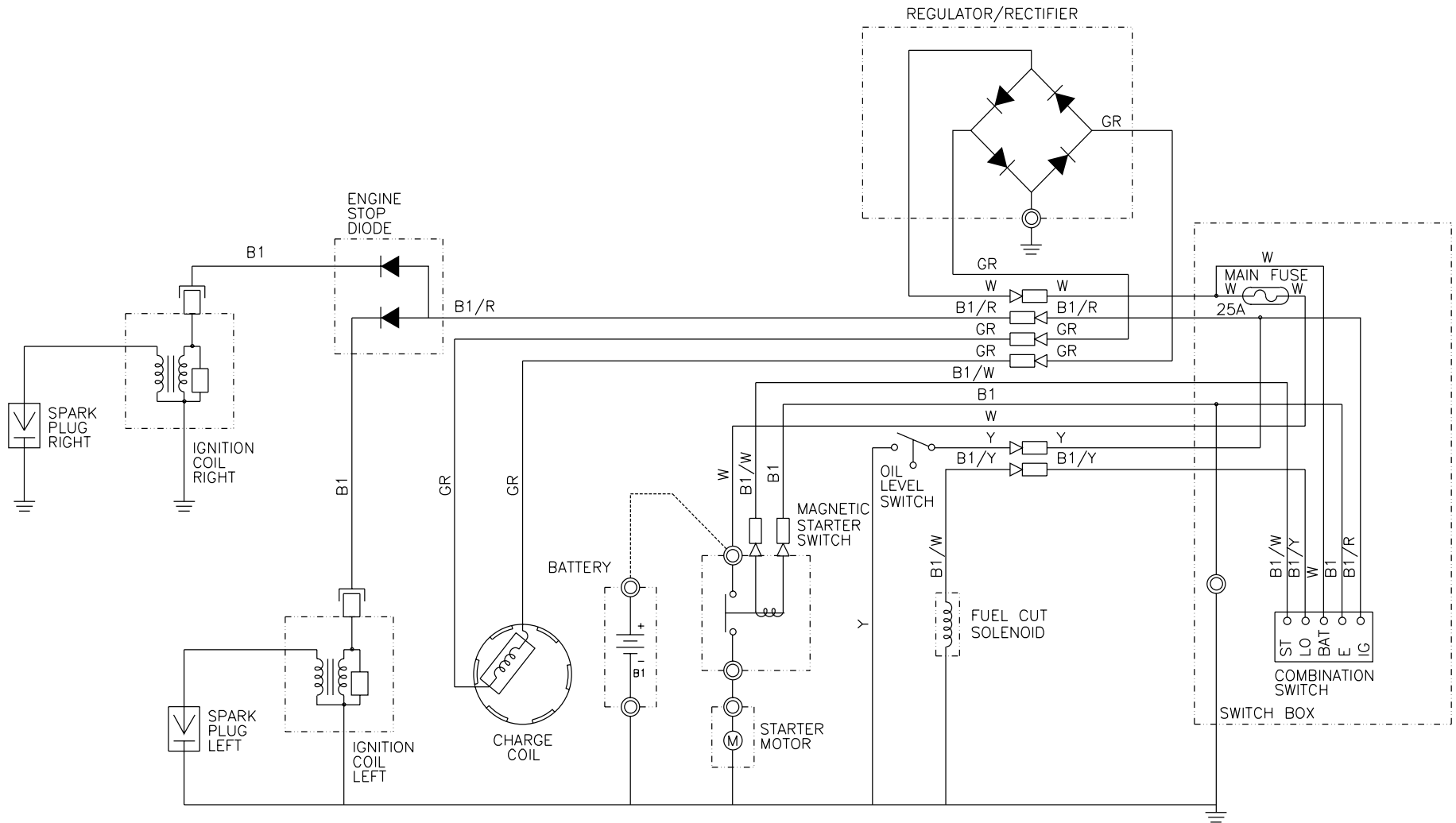


851-0318-051099-DCE

851-0318-051099-DCE

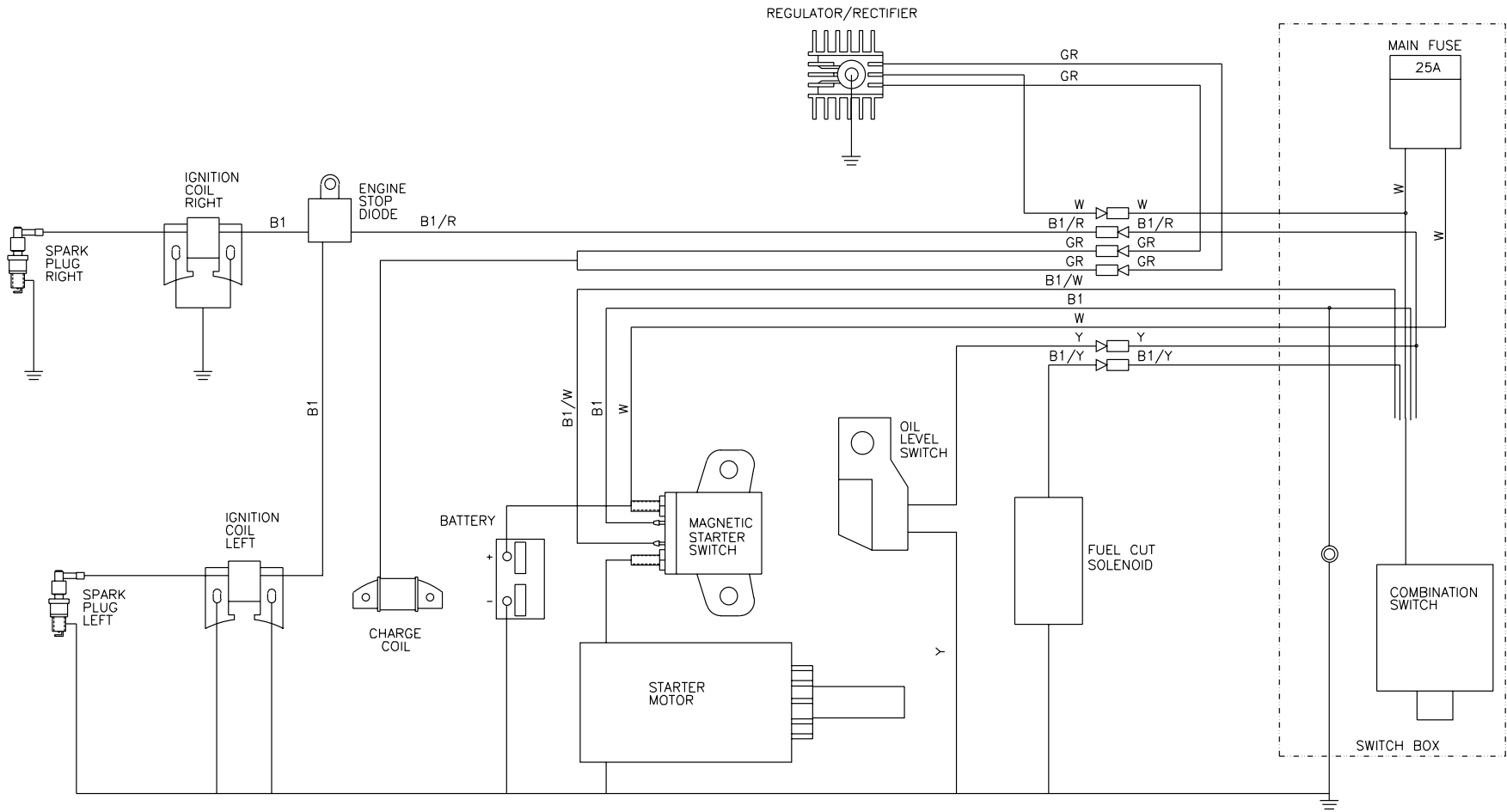
VANGUARD ENGINE ASSEMBLY (851-0318)			
REF. #	DESCRIPTION	PART #	QTY.
1	Engine-20.0 HP Vanguard	N/A Sep.	1
2	Muffler Guard	6-0065	1
3	Screw	27-3062	4
4	Terminal	32-0221	1
5	Wire *(Three Feet Required)	32-0092	1
6	Hose *(Two Feet Required)	15-0021	1
7	Clip	43-0003	2
8	Terminal Ring	32-0099	1

WIRING SCHEMATIC FOR HONDA ENGINE



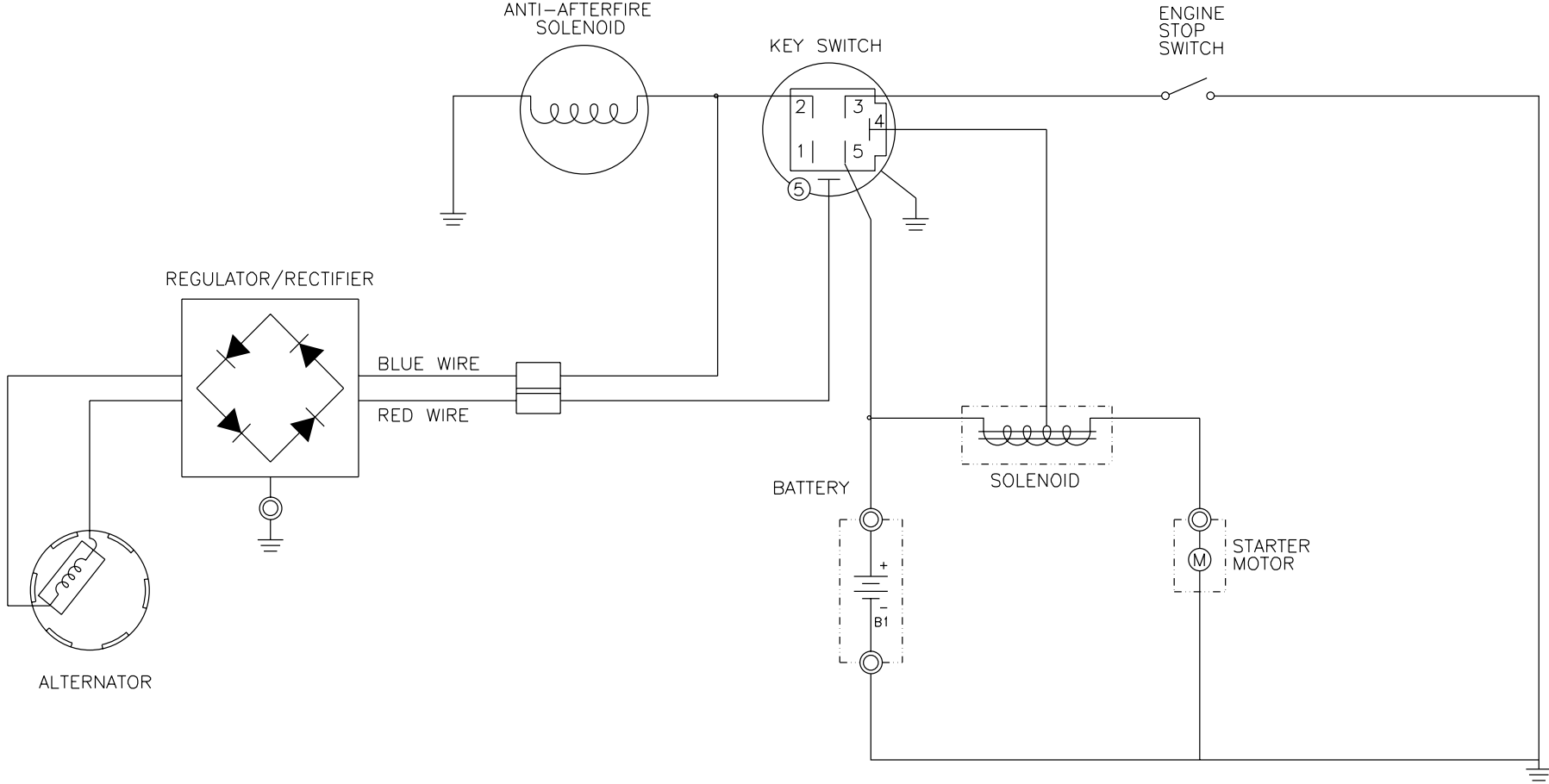
CWC-4005/5004/OMGH SCH-100397-DCE

WIRING DIAGRAM FOR HONDA ENGINE



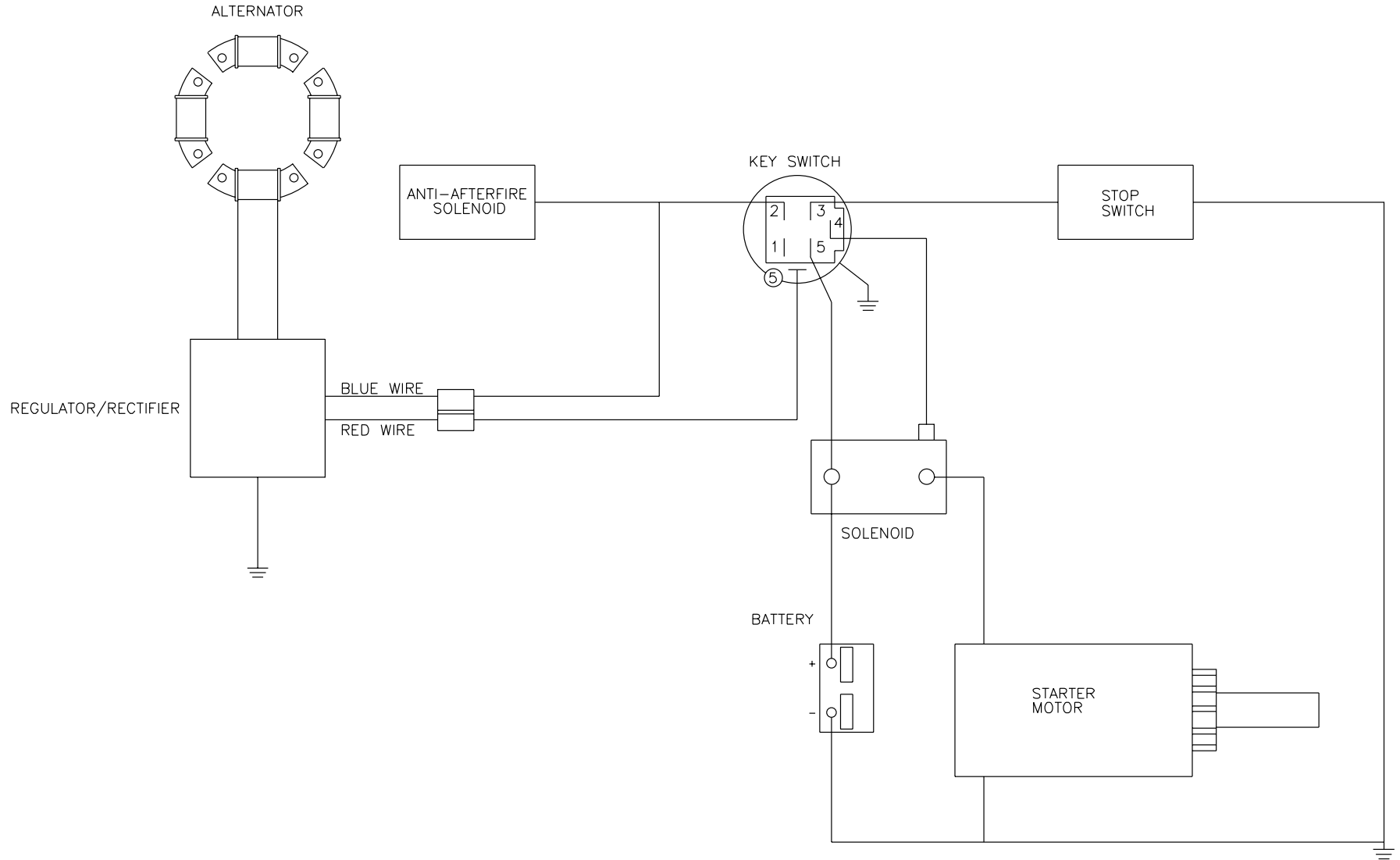
CWC-4005/5004-0MGH DIA-100397-DCE

WIRING SCHEMATIC FOR VANGUARD ENGINES



OMCWU246S-100397-DCE

WIRING DIAGRAM FOR VANGUARD ENGINES



OMCWU246D-100397-DCE

