

Mi-T-M[®] CORPORATION

8650 Enterprise Drive, Peosta IA 52068

563-556-7484 / Fax 563-556-1235

PARTS LIST FOR ***CW-3504-4MGH/V***

Engine Oil Grade:	Above 40°F=SAE30 Below 40°F=SAE10W-30
Engine Oil Capacity:	
Honda	37 oz.
Vanguard	50.7 oz.
Pump Oil Grade:	Mi-T-M Pump Oil #AW-4085-0016
Pump Oil Capacity:	40.6 oz.
Nozzle Size:	4.0

This Parts Listing has been compiled for your benefit. You can be assured your Mi-T-M Cold Water Pressure Washer was constructed and designed with quality and performance in mind using over 25 years experience in the pressure washer business. Each component has been rigorously tested to insure the highest level of acceptance.

The contents of this Parts Listing are based on the latest product information available at the time of publication. Mi-T-M reserves the right to make changes in price, color, materials, equipment, specifications or models at any time without notice.

WARNING

THIS IS A PROFESSIONAL HIGH PRESSURE, COLD WATER PRESSURE WASHER. CAUTION SHOULD BE OBSERVED WHEN USING OR REPAIRING THIS UNIT! READ AND FOLLOW THE SAFETY WARNINGS LISTED BELOW BEFORE ATTEMPTING ANY REPAIRS ON THIS PRESSURE WASHER!

SAFETY WARNINGS

1. NEVER alter or modify the equipment. Be sure any accessory items and system components being used will withstand the pressure developed. Use only genuine Mi-T-M parts for repair of your pressure washer. Failure to do so can cause hazardous operating conditions and will VOID warranty.
2. NEVER make adjustments on machinery while the unit is connected to the power source. Turning over the machinery by hand during adjustment or cleaning might start the machinery, causing serious injury to the operator.
3. Know how to stop and bleed pressures quickly. Be thoroughly familiar with controls.
4. Before servicing the unit, turn unit off, relieve the water pressure and allow the unit to cool down. Do not make repairs while the unit is running. Service in a clean, dry, flat area.
5. After testing the machine, DO NOT leave the pressurized unit unattended. Shut off the unit and release trapped pressure before leaving.

Table of Contents

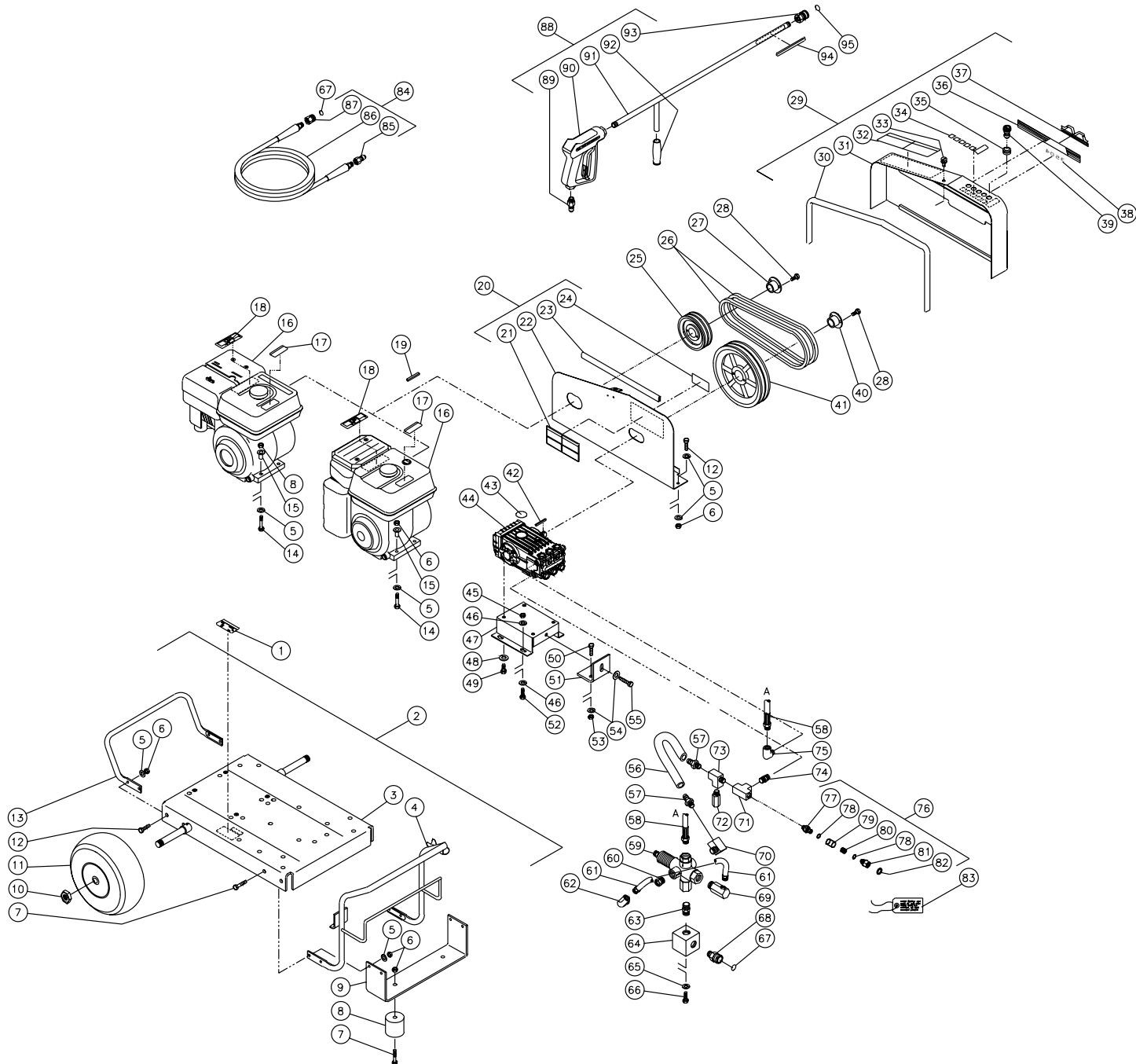
SPECIFICATIONS	3
FRAME ASSEMBLY FOR CW-3504-4MGH/4MGV	4
PUMP ASSEMBLY (3-0203)	6
UNLOADER ASSEMBLY (8-0270)	8
GUN ASSEMBLY (16-0001)	10

SPECIFICATIONS

CW-3504-4MGHV

MODEL NUMBER	CW-3504-4MGH	CW-3504-4MGV
Operating Pressure (PSI/Bar):	3500/241.3	
High Pressure Nozzle:	4.0	
Water Volume (GPM/lpm):	3.8/14.4	
Engine:	Honda	Briggs & Stratton Vanguard
Horsepower	13.0	
Engine Type	4 Stroke, Overhead Valve, Single Cylinder	
Oil Type	SAE10W-30	Above 40 F = SAE30/Below 40 F = SAE10W-30
Oil Capacity (oz./liter)	37/1.1	50/1.5
Low Oil Protection	Oil Alert	Oil Guard
Fuel Type	Unleaded Gasoline 86 Octane Minimum	
Fuel Capacity (gal./liter)	1.7/6.5	2.0/7.9
Starting	Recoil	
Maximum No Load RPM	3600 (+/- 100) RPM	
Pump:	Belt Driven, Oil Bath, Triplex Piston	
Oil Type	Mi-T-M Pump Oil #AW-4085-0016	
Oil Capacity (oz./liters)	40.6/1.2	
Plungers	Ceramic	
Manifold	Forged Brass	
Valves	Stainless Steel	
Unloader	Preset	
Heat Dump Valve	Relieves heated water during unloader bypass stage	
Unit Net Weight (lbs/Kg)	215.5/97.5	217.5/98.5
Unit Shipping Weight (lbs/Kg)	291/132	293/133
Unit Net Dimension (cm)	46Lx28Wx30H/117Lx71Wx76H	
Unit Shipping Dimension (cm)	48.5Lx30.5Wx35.5H/123Lx77.5Wx90H	

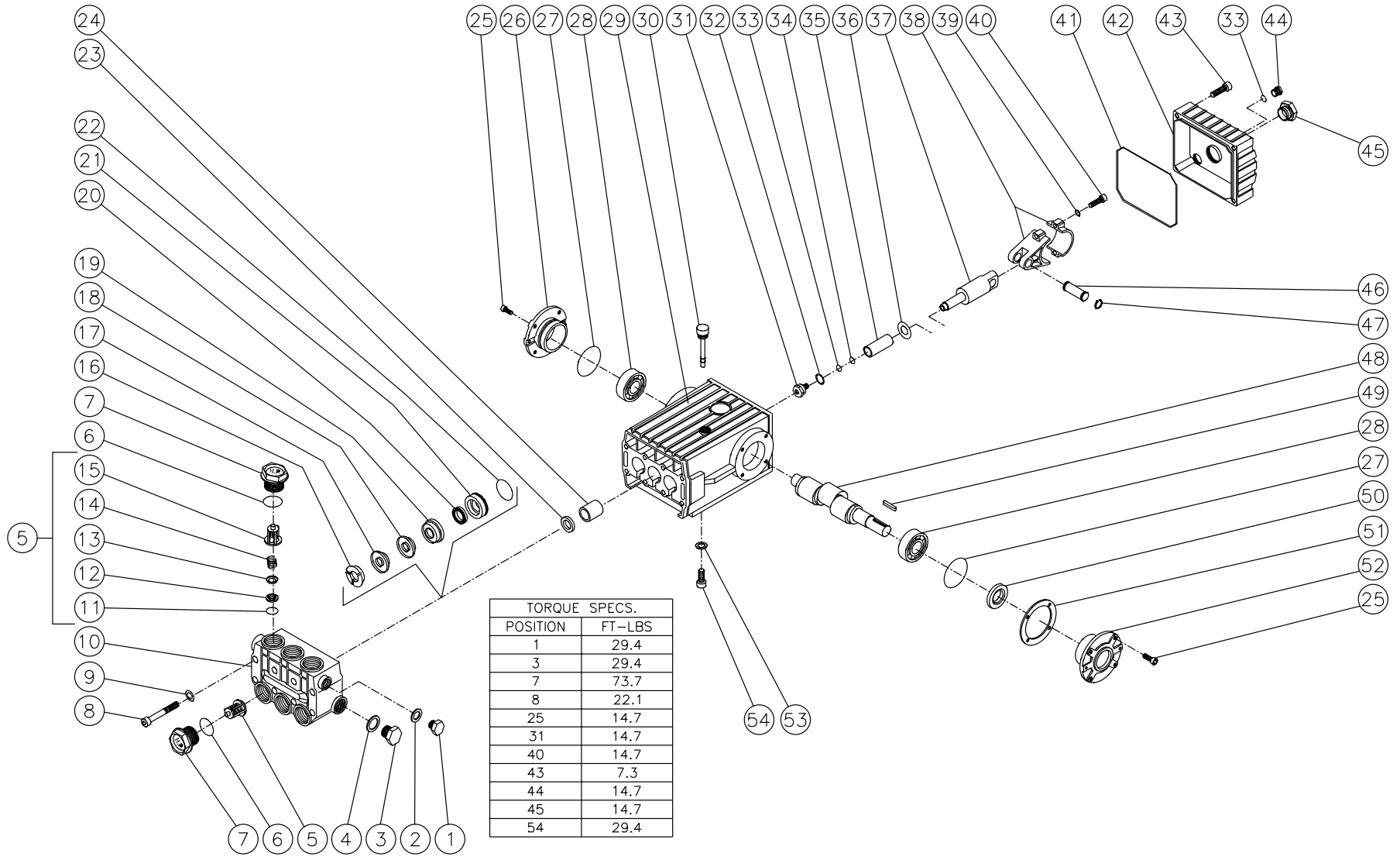
FRAME ASSEMBLY FOR CW-3504-4MGH/4MGV



CW-3504-4MGH&V-090601-RD

FRAME ASSEMBLY FOR CW-3504-4MGH/4MGV											
REF. #	DESCRIPTION	PART #	QTY.	REF. #	DESCRIPTION	PART #	QTY.	REF. #	DESCRIPTION	PART #	QTY.
1	Decal- Data Plate	N/A	1	34	Nozzles	34-0500	1	65	Washer	29-0008	2
2	Base Plate Assembly (Inc. 3-13)	851-0210	1	35	Grommet	33-0001	5	66	Bolt	27-0116	2
3	Base Plate	5-0078A01	1	36	Decal- Mi-T-M Stripe	34-0501	1	67	O-ring	25-0123	-
4	Handle-Front	7-0101A01	1	37	Decal- Mi-T-M Logo	62-0086	1	68	Quick Connect Socket	17-0029	1
5	Washer	28-0003	24	38	Decal- Die Cut 3504	34-0034	1	69	Easy Start Valve	22-0146	1
6	Locknut	30-0157	18	39	Spray Nozzle- 0004	18-0028	1	70	Elbow	23-0035	1
7	Bolt	27-0068	6	-	Spray Nozzle- 1504	18-0029	1	71	Tee	23-0043	1
8	Isolator	14-0008	2	-	Spray Nozzle- 2504	18-0030	1	72	Heat Dump Valve	22-0005	1
9	Underbracket	13-0042A01	1	-	Spray Nozzle- 4004	18-0031	1	73	Tee	23-0124	1
10	Jamnut	30-0117	2	40	Bushing	9-0017	1	74	Hex Nipple	23-0012	1
11	Wheel	14-0006	2	41	Sheave	10-0040	1	75	Elbow	24-0105	1
12	Bolt	27-0067	8	42	Key-W/Pump	43-0048	1	76	Filter Assembly (Inc. 77-82)	19-0206	1
13	Handle-Rear	7-0104A01	1	43	Decal- Pump ID Number	N/A	1	77	Filter Outlet-NPT (See 19-0206)	N/A Sep.	1
14	Bolt	27-0070	4	44	Pump	3-0203	1	78	O-ring	25-0517	1
15	Shim-Engine	33-0169	4	45	Locknut	30-0161	4	79	Sight Glass	19-0208	1
16	Engine- 13.0 HP Honda (CW-3504-4MGH)	1-0086	1	46	Washer	28-0030	8	80	Screen-Strainer	19-0209	1
-	Engine- 13.0 HP Vanguard (CW-3504-4MGV)	1-0090	1	47	Pump Bracket	5-0101A01	1	81	Filter Inlet-Garden Hose (See 19-0206)	N/A Sep.	1
17	Decal- Caution: Allow to Cool (E/S)	34-0599	1	48	Washer	29-0055	4	82	Garden Hose Gasket	26-0001	1
18	Decal- Warning: Muffler Hot (E/S)	34-0598	1	49	Bolt	27-8471	4	83	Tag-Water Supply Inlet	34-0097	1
19	Key	43-0078	1	50	Bolt	27-0118	2	84	High Pressure Hose Assembly (Inc. 85-87)	851-0006	1
20	Beltguard Back Assembly (Inc. 21-24)	851-0215	1	51	Brace Tightener	13-0003A01	1	85	Quick Connect Plug	17-0006	1
21	Decal- Warning/Caution (E/S)	34-0812	1	52	Bolt	27-0166	4	86	Pressure Hose	15-0004	1
22	Beltguard Back (See 851-0215)	N/A Sep.	1	53	Locknut	30-0159	2	87	Quick Connect Socket	17-0004	1
23	Edging *(Two Feet Required)	33-0020	1	54	Washer	28-0023	3	88	GunWand Assembly (Inc. 89-93)	851-0095	1
24	Decal- Warning: Beltguard Cover (E/S)	34-0826	1	55	Bolt	27-0576	1	89	Quick Connect Plug	17-0005	1
25	Sheave	10-0030	1	56	By-pass Hose	15-0022	1	90	Gun	16-0001	1
26	Belt	11-0035	2	57	Hose Barb	23-0005	2	91	Wand	16-0120A01	1
27	Bushing	9-0005	1	58	Hose	15-0024	1	92	Handle Grip	7-0002	1
28	Bolt	27-0015	1	59	Unloader	8-0270	1	93	Quick Connect Socket	17-0001	1
29	Beltguard Cover Assembly (30-37)	851-0216	1	60	Hex Reducer	23-0056	1	94	Decal- Warning: Risk of Injection	34-1253	1
30	Edging *(Four Feet Required)	33-0020	1	61	Hose	15-0140	1	95	O-ring (Replacement Only)	25-0122	-
31	Beltguard Cover (See 851-0216)	N/A Sep.	1	62	Elbow	23-0237	1	*Must Order in One Foot Lengths			
32	Decal- Operating Instructions (E/S)	34-0813	1	63	Hex Nipple	24-0031	1				
33	Fastener	33-0197	1	64	Manifold Block	51-0012	1				

PUMP ASSEMBLY (3-0203)

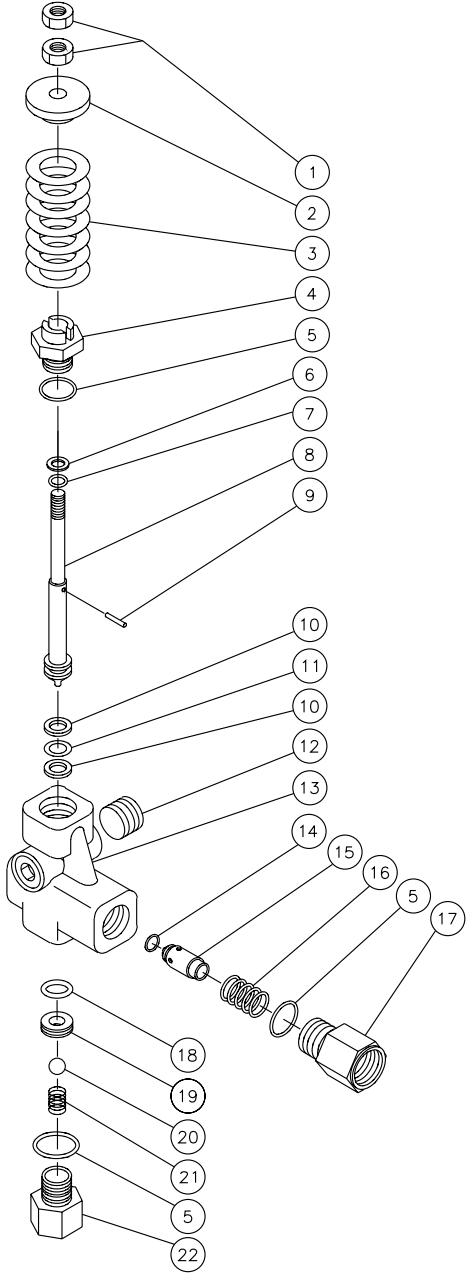


TORQUE SPECS.	
POSITION	FT-LBS
1	29.4
3	29.4
7	73.7
8	22.1
25	14.7
31	14.7
40	14.7
43	7.3
44	14.7
45	14.7
54	29.4

3-0203-092001-EDW

PUMP ASSEMBLY (3-0203)											
REF. #	DESCRIPTION	PART #	QTY.	REF. #	DESCRIPTION	PART #	QTY.	REF. #	DESCRIPTION	PART #	QTY.
1	Plug	39-0018	1	21	Low Pressure Seal Retainer	46-0887	3	41	O-ring Cover	25-0339	1
2	Washer	28-1002	1	22	O-ring	25-0015	3	42	Crankcase Cover	46-0295	1
3	Plug	39-0019	1	23	Oil Seal	26-0047	3	43	Bolt	27-8404	5
4	Washer	28-1038	1	24	Bushing	9-0029	3	44	Plug	39-0017	1
5	Valve Assembly (Inc. 11-15) (See 70-0009)	N/A Sep.	6	25	Bolt	27-8431	8	45	Oil Level Indicator	46-0114	1
6	O-ring	25-0012	6	26	Crankcase Cover	46-0336	1	46	Connecting Rod Pin	43-0032	3
7	Valve Plug	46-0889	6	27	O-ring	25-0013	2	47	Retaining Ring	46-0103	6
8	Bolt	27-8185	8	28	Bearing	48-0012	2	48	Crankshaft	46-0888	1
9	Flatwasher	28-1039	8	29	Crankcase	46-0292	1	49	Key	43-0048	1
10	Manifold	46-0490	1	30	Oil Dip Stick	46-0144	1	50	Oil Seal	26-0049	1
11	O-ring (See 70-0009)	N/A Sep.	6	31	Bolt	46-0069	3	51	Shim	46-0113	1
12	Valve Seat (See 70-0009)	N/A Sep.	6	32	Gasket	28-0400	3	52	Crankcase Open Cover	46-0296	1
13	Valve Plate (See 70-0009)	N/A Sep.	6	33	O-ring	25-0014	4	53	Lockwasher	29-0055	4
14	Valve Spring (See 70-0009)	N/A Sep.	6	34	Back-up Ring	46-0109	3	54	Bolt	27-8471	4
15	Valve Cage (See 70-0009)	N/A Sep.	6	35	Plunger	46-0052	3		Valve Assembly (6 each 5, 11-15)	70-0009	
16	High Pressure Head Ring (See 70-0030)	N/A Sep.	3	36	Washer	46-0146	3		Head Ring Kit (3 each 16)	70-0030	
17	High Pressure V-Packing(See 70-0299)	N/A Sep.	3	37	Piston Rod	46-0056	3		V-Packing Kit (3 each 17, 18, 20)	70-0299	
18	V-Packing Support (See 70-0299)	N/A Sep.	3	38	Connecting Rod	46-0051	3		Intermediate Retainer Kit (3 each 18, 19)	70-0148	
19	High Pressure Intermediate Seal Retainer	46-0659	3	39	Lockwasher	29-0154	6		Low Pressure Seal Kit (3 each 20-22)	70-0298	
20	Low Pressure Seal	46-0886	3	40	Bolt	27-8435	6		V-Packing Assembly (3 each 16-20, 22)	70-0300	

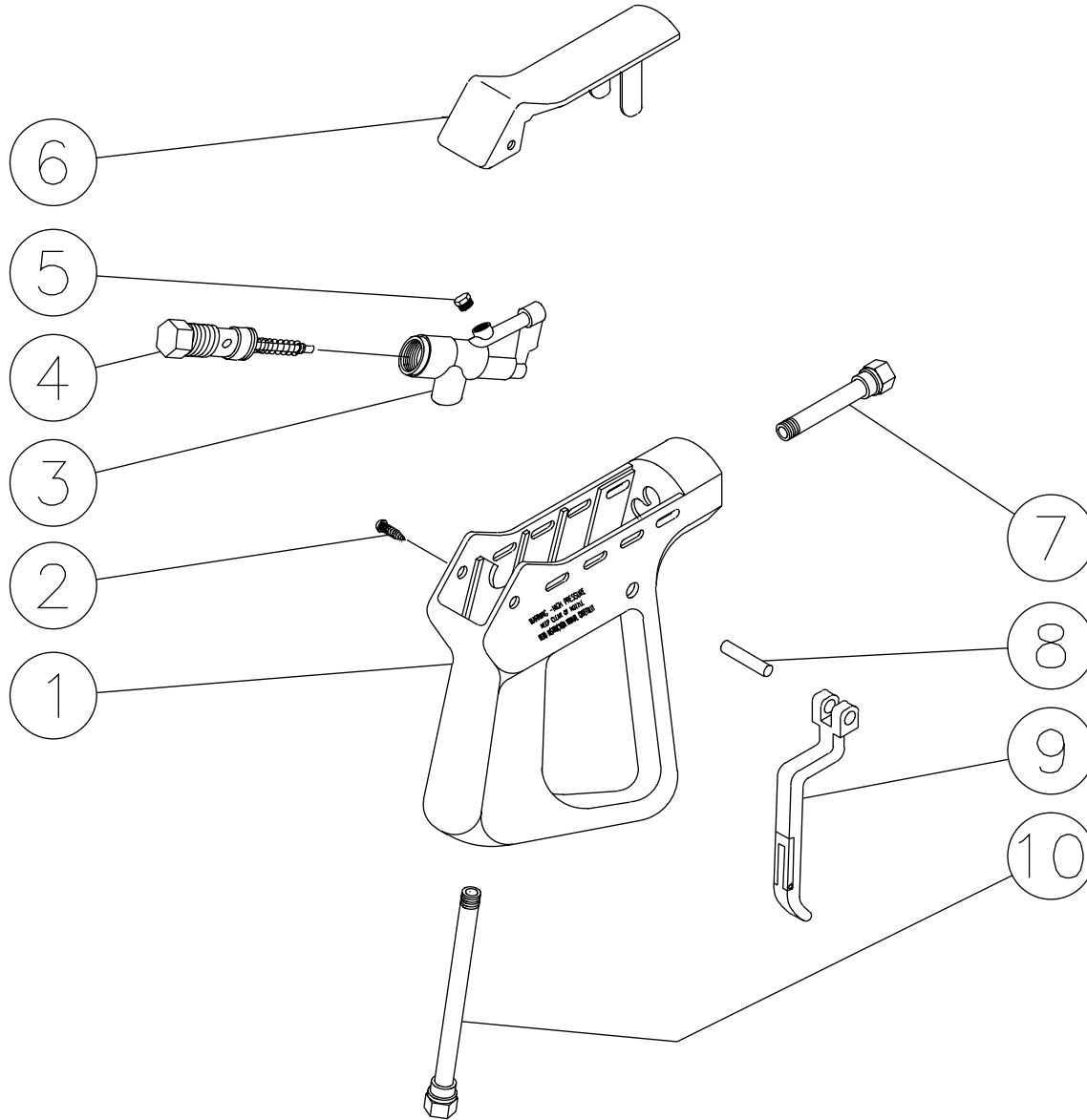
UNLOADER ASSEMBLY (8-0270)



OMGEN043-083094-BAR

UNLOADER ASSEMBLY (8-0270)			
REF. #	DESCRIPTION	PART #	QTY.
1	Hex Nut	30-7203	2
2	Spring Guide	8-0278	1
3	Spring	49-0111	1
4	Piston Housing	8-0279	1
5	O-ring	25-0189	3
6	Back-up Ring	8-0277	1
7	O-ring	25-0192	1
8	Piston	8-0280	1
9	Pin	43-0059	1
10	Back-up Ring	8-0276	2
11	O-ring	25-0191	1
12	Plug	39-0055	2
13	Valve Housing	8-0275	1
14	O-ring	25-0193	1
15	Check Valve	22-0127	1
16	Spring	49-0058	1
17	Outlet Connection	8-0271	1
18	O-ring	25-0190	1
19	Seat	8-0272	1
20	Ball	8-0273	1
21	Spring	49-0059	1
22	Inlet Connection	8-0274	1
	Unloader Kit (5-7, 10, 11, 14, 18-20)	70-0107	1

GUN ASSEMBLY (16-0001)



GUN ASSEMBLY (16-0001)			
REF. #	DESCRIPTION	PART #	QTY.
1	Plastic Housing	16-0008	1
2	Screw	27-3230	2
3	Brass Housing	16-0012	1
4	Gun Repair Kit	70-0055	1
5	Brass Plug	39-0024	1
6	Plastic Cover	16-0009	1
7	Pipe Assembly	16-0013	1
8	Trigger Pin	16-0063	1
9	Trigger/Safety Lock-off	16-0010	1
10	Pipe Assembly- Inlet	16-0016	1
	Complete Gun Assembly	16-0001	1

