

Mi-T-M[®] CORPORATION

8650 Enterprise Drive, Peosta IA 52068

563-556-7484 / Fax 563-556-1235

PARTS LIST FOR
HSE-1002-0M11
(AFTER SERIAL #14999999)



PUMP OIL GRADE:
CAPACITY:
FUEL NOZZLE:
BTU INPUT:
PRESSURE NOZZLE SIZE:

Mi-T-M #AW-4085-0016
11.2 oz
1.10 60°B Delavan
186,000 / hour
4.0

This Parts Listing has been compiled for your benefit. You can be assured your Mi-T-M® hot water pressure washer was constructed and designed with quality and performance in mind using over 25 years experience in the pressure washer business. Each component has been rigorously tested to insure the highest level of acceptance. The contents of this Parts Listing are based on the latest product information available at the time of publication. Mi-T-M® reserves the right to make changes in price, color, materials, equipment, specifications or models at any time without notice.

WARNING

THIS IS A PROFESSIONAL HIGH PRESSURE, HOT WATER PRESSURE WASHER. CAUTION SHOULD BE OBSERVED WHEN USING OR REPAIRING THIS UNIT! READ AND FOLLOW THE SAFETY WARNINGS LISTED BELOW BEFORE ATTEMPTING ANY REPAIRS ON THIS PRESSURE WASHER!

SAFETY WARNINGS

1. NEVER alter or modify the equipment. Be sure any accessory items and system components being used will withstand the pressure developed. Use only genuine Mi-T-M® parts for repair of your pressure washer. Failure to do so can cause hazardous operating conditions and will VOID warranty.
2. NEVER make adjustments on machinery while the unit is connected to the power source. Turning over the machinery by hand during adjustment or cleaning might start the machinery, causing serious injury to the operator.
3. Know how to stop and bleed pressures quickly. Be thoroughly familiar with controls.
4. Before servicing the unit, turn unit off, relieve the water pressure and allow the unit to cool down. Do not make repairs while the unit is running. Service in a clean, dry, flat area. Block the wheels to prevent the unit from moving. Be especially careful to properly dispose of any flammable materials.
5. After testing the machine, DO NOT leave the pressurized unit unattended. Shut off the unit and release trapped pressure before leaving.

Table of Contents

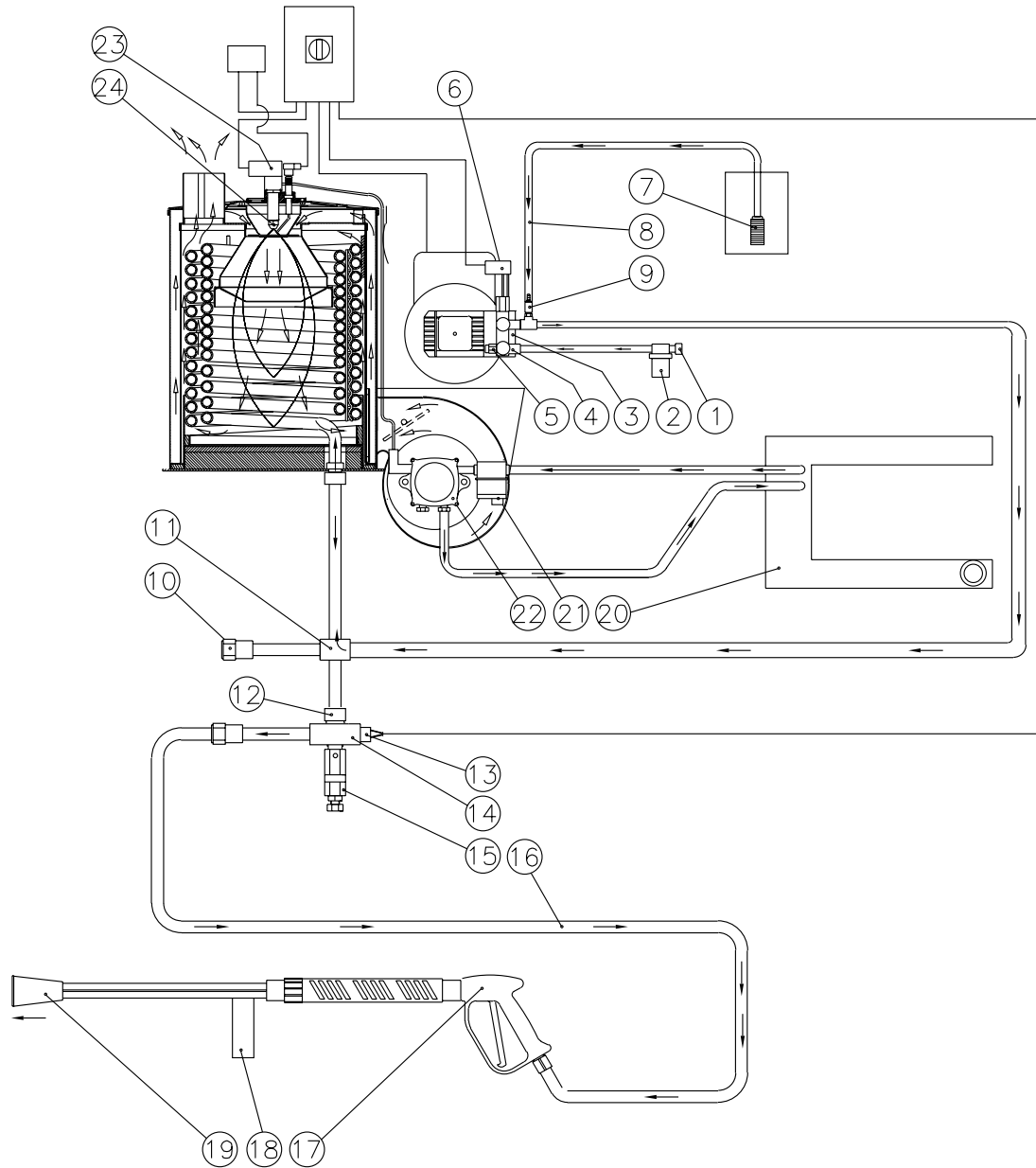
SPECIFICATIONS	3
FLOW CHART	4
GENERAL THEORY OF OPERATION	5
FRAME ASSEMBLY	6
MOTOR/PUMP ASSEMBLY	8
MOTOR (850-0213)	10
HIGH PRESSURE PUMP (3-0071)	12
UNLOADER (8-0493) & DETERGENT INJECTOR (46-0752) ASSEMBLY	14
PRESSURE SWITCH (22-0171)	16
COIL DRAIN PLUG (850-0218)	18
HEAT EXCHANGER/BLOWER MOTOR	20
BOILER ASSEMBLY (850-0212)	22
GUN/WAND (850-0179) & ADJUSTABLE PRESSURE DUAL LANCE (850-0185)	24
FUEL TANK (850-0214)	26
FUEL PUMP (3-0020)	27
FUEL SOLENOID (44-0101)	27
CONTROL PANEL	28
WIRE SCHEMATIC	30
WIRE DIAGRAM	31

SPECIFICATIONS

HSE-1002-0M11.TBL

MODEL NUMBER	HSE-1002-0M11
Operating Pressure (PSI/Bar):	1000/70 (+/- 5%)
Water Volume (GPM/lpm):	2.0/7.6 (+/- 5%)
Outlet Water Temperature (F/C):	140 F/ 60 C (+/- 10 F) rise above inlet ambient (210 F/ 99 C maximum)
Motor:	TEFC
Horsepower	1.5
Phase	Single
Voltage	120
Amps	13
High Pressure Pump:	Direct Driven, Oil Bath, Triplex Piston
Oil Type	Mi-T-M Pump Oil #AW-4085-0016
Oil Capacity (oz./liters)	11.2/0.33
Plungers	Ceramic
Manifold	Forged Brass
Valves	Stainless Steel
Unloader	Preset
Inlet Water Strainer	Removable Bowl for inspection and cleaning of Stainless Steel Screen
Heat Dump Valve	Relieves heated water during unloader bypass stage
Detergent Injector:	Adjustable low pressure downstream from pump
Burner Fuel System:	
Fuel Type	No.1 or No.2 Fuel Oil, Diesel or Kerosene
Fuel Capacity (Gal./liters)	4.0/15.1
Fuel Filter/ Water Separator	Spin on (10 micron) filter/ E-Z water drain
Fuel Pump	Two Line, Single Stage
Fuel Pressure (PSI/ BAR)	145/10
Fuel Nozzle	1.10 60 B Delavan
Fuel Consumption (GPH/ LPH)	1.33/5.0 Cont. Burning
Voltage	120
Amps	2
Heat Exchanger:	Vertical, Top fired, Dual Spiral Coil
BTU Input	186,000
Efficiency	86% with #2 Fuel Oil/Diesel
Smoke Density	0-3 per ASTM D2156
Controls:	
On/ Off Switch	Industrial grade cam switch
Pressure Switch	Shuts off burner fuel supply upon trigger release
High Limit Switch	Shuts off burner fuel supply when outlet water temp. exceeds 210 F/ 99 C
Fuel Solenoid:	120 Volt
Safety Relief:	Relieves excess system pressure
Unit Net Weight (Lbs/Kg)	245/111
Unit Shipping Weight (Lbs/Kg)	368/167
Unit Net Dimension (In/Cm)	34Lx29Wx33H/86Lx74Wx84H
Unit Shipping Dimension (In/Cm)	46.5Lx31.5Wx48.5H/118Lx80Wx123H

FLOW CHART



OMHSE002-103098-BAR

GENERAL THEORY OF OPERATION

WATER FLOW: Connect a pressurized water source to the INLET GARDEN HOSE CONNECTION (1) and turn on the water supply. The water will flow through a WATER STRAINER (2) which has a clear inspection bowl.

The water then travels into the TRIPLEX HIGH PRESSURE PUMP (3) which has an UNLOADER (4) that bypasses the water when the trigger gun is closed. To protect the pump from heated water during this bypass stage, a HEAT DUMP VALVE (5) will open at 140°F/ 60°C allowing the heated water to escape. The Heat Dump Valve automatically resets when the water cools. The PRESSURE SWITCH (6) controls the fuel supply to the burner.

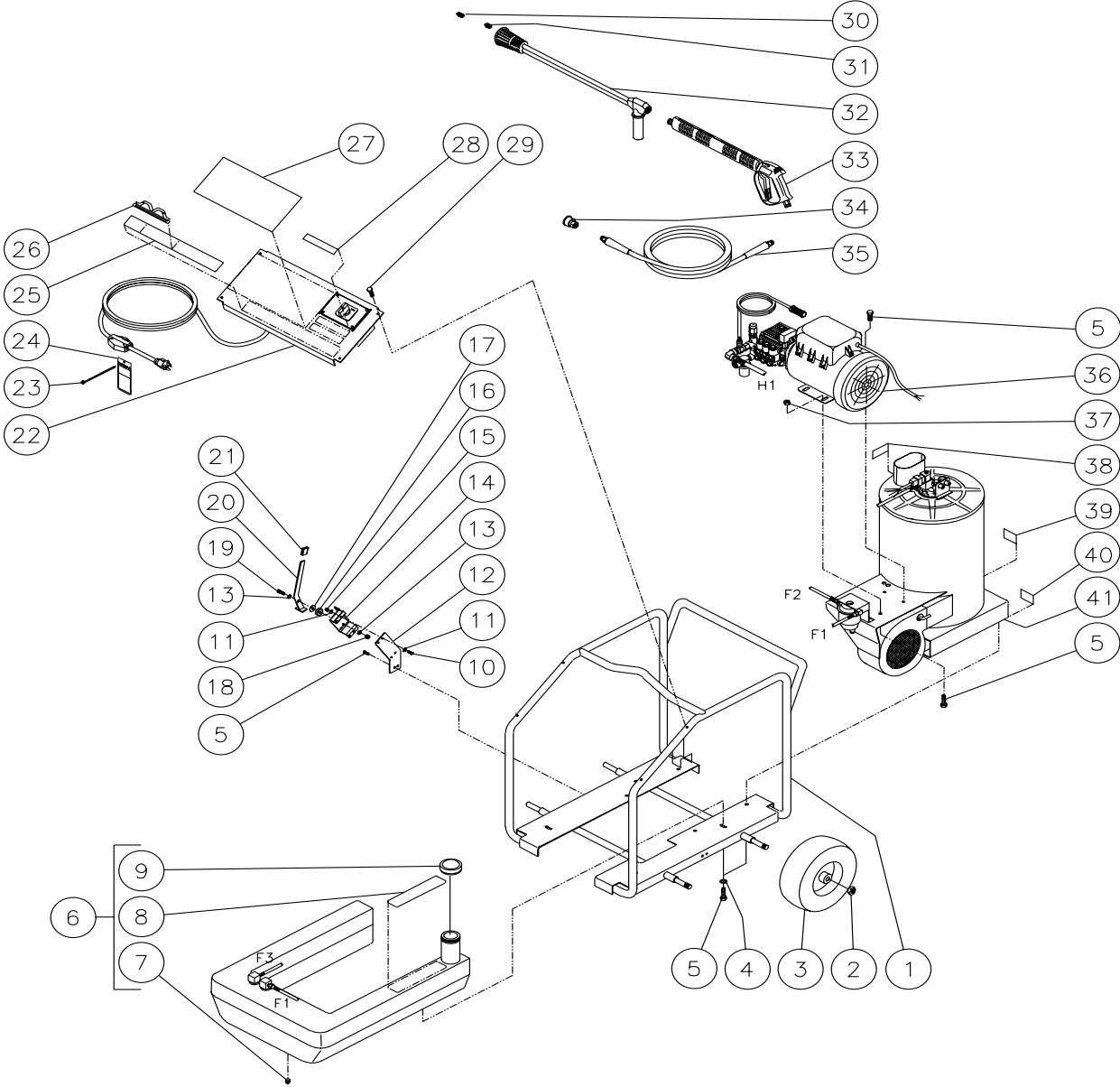
When using detergents, the solution passes through the DETERGENT STRAINER (7) located on the DETERGENT HOSE (8). The detergent solution then travels into the ADJUSTABLE LOW PRESSURE DETERGENT INJECTOR (9).

From there, the water may be allowed to flow out of the DRAIN PLUG (10) or through the HEAT EXCHANGER INLET (11) where it is heated when the burner is on. As the water exits the HEAT EXCHANGER OUTLET (12), it enters a safety system which protects the operator from danger. The safety system contains a HIGH TEMPERATURE LIMIT SWITCH (13) which senses the water temperature and shuts off the fuel supply to the burner if it gets too hot. If the unloader fails to by pass the water or the burner remains on when the trigger gun is closed, the SAFETY RELIEF (15) will relieve and allow water to exit safely.

The heated water then flows through the HIGH PRESSURE HOSE (16) and to the TRIGGER GUN ASSEMBLY (17) which allows the operator to control the water spray. When the trigger gun is open, the water flows through the ADJUSTABLE PRESSURE DUAL LANCE (18) and exits the NOZZLE (19).

FUEL FLOW: The Fuel Pump draws fuel from the FUEL TANK (20) through a replaceable FUEL FILTER/WATER SEPARATOR (21) and into the FUEL PUMP (22). Fuel exits the fuel pump, into a FUEL SOLENOID VALVE (23) which controls fuel flow to the FUEL NOZZLE (24) where it ignites and burns in the heat exchanger.

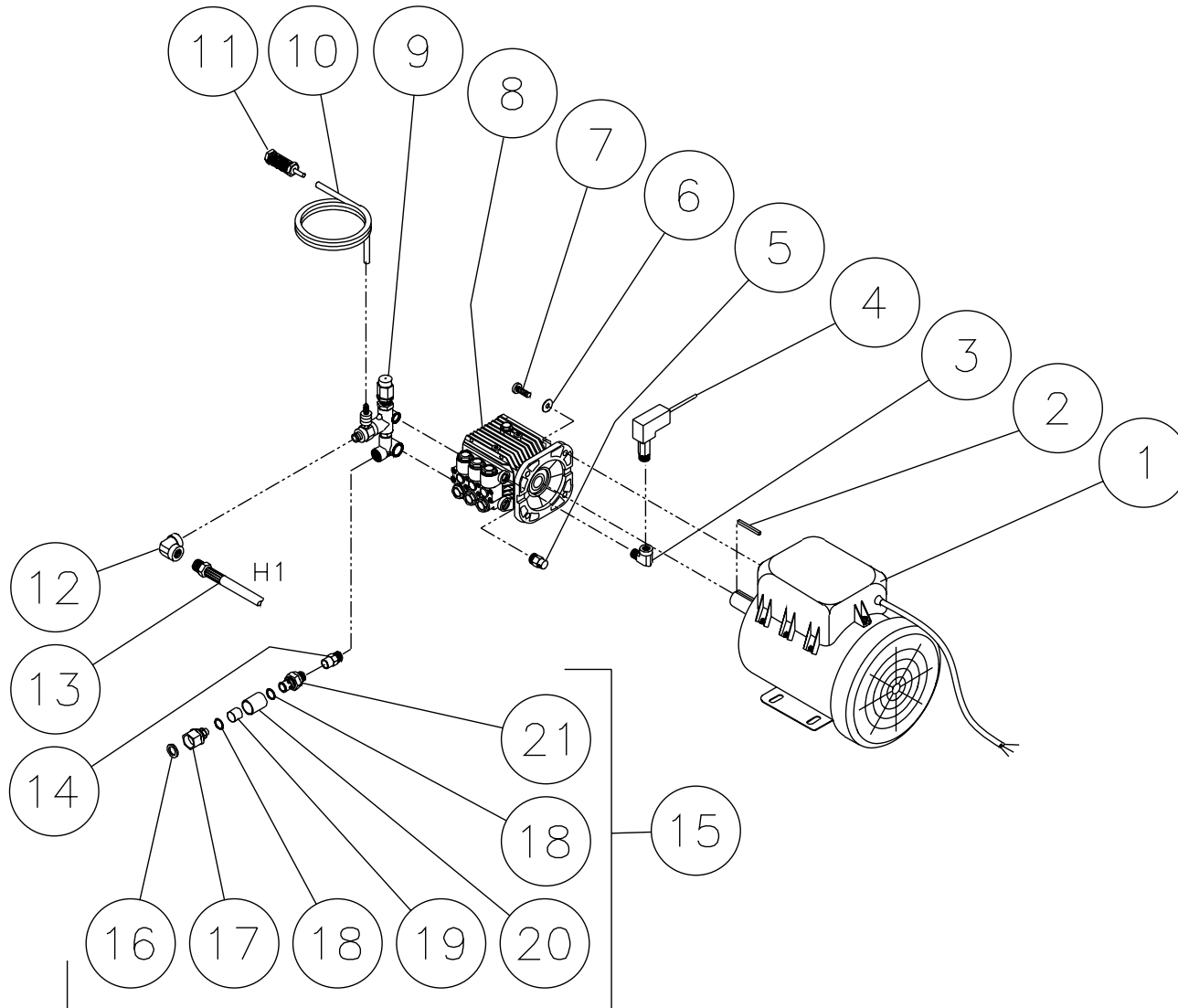
FRAME ASSEMBLY



OMHSE005-113000-MJS

FRAME ASSEMBLY								
REF. #	DESCRIPTION	PART #	QTY.		REF. #	DESCRIPTION	PART #	QTY.
1	Frame Assembly	5-0128A01	1		22	Control Panel (See Exploded Drawing)	N/A Sep.	1
2	Hex Jam Nut	30-0117	4		23	Cable Tie	33-0022	1
3	Wheel	14-0017	4		24	Decal- Hang Tag (E/S)	34-0417	1
4	Flatwasher	28-0022	8		25	Decal- Stripe	34-0502	1
5	Bolt	27-9524	14		26	Mi-T-M Logo	62-0087	1
6	Fuel Tank Assembly	850-0214	1		27	Decal- Warning/Caution/Operation (E/S)	34-0794	1
7	Plug	23-0296	1		28	Decal- Die Cut 1002	34-0302	1
8	Decal-Do Not Use Gasoline (E/S)	34-0806	1		29	Bolt	27-9527	4
9	Vented Fuel Cap	12-0033	1		30	Nozzle- 4060	18-0110	1
10	Screw	27-0015	4		31	Nozzle- 1504	18-0054	1
11	Washer	28-0002	8		32	Dual Lance Assembly	16-0327	1
12	Brake Plate	20-0580A01	1		33	Gun/ Lance Assembly	850-0179	1
13	Washer	28-0003	2		34	Screw Connect	17-0035	1
14	Bracket	20-0546A01	1		35	Hose Assembly	15-0146	1
15	Locknut	30-0155	4		36	Motor Pump Assembly (See Exploded Drawing)	N/A Sep.	1
16	Grommet	33-0366	1		37	Hex Nut	30-3023	3
17	Washer	28-0057	1		38	Decal- Warning: Hot Surfaces (E/S)	34-0808	1
18	Locknut	30-0157	1		39	Decal- Warning: Risk of Explosion (E/S)	34-0852	1
19	Screw	27-0068	1		40	Data Plate	34-1138	1
20	Brake Handle Assembly	20-0552A01	1		41	Heat Exchanger Assembly (See Exploded Drawing)	N/A Sep.	1
21	Handle Grip	7-0170	1					

MOTOR/PUMP ASSEMBLY

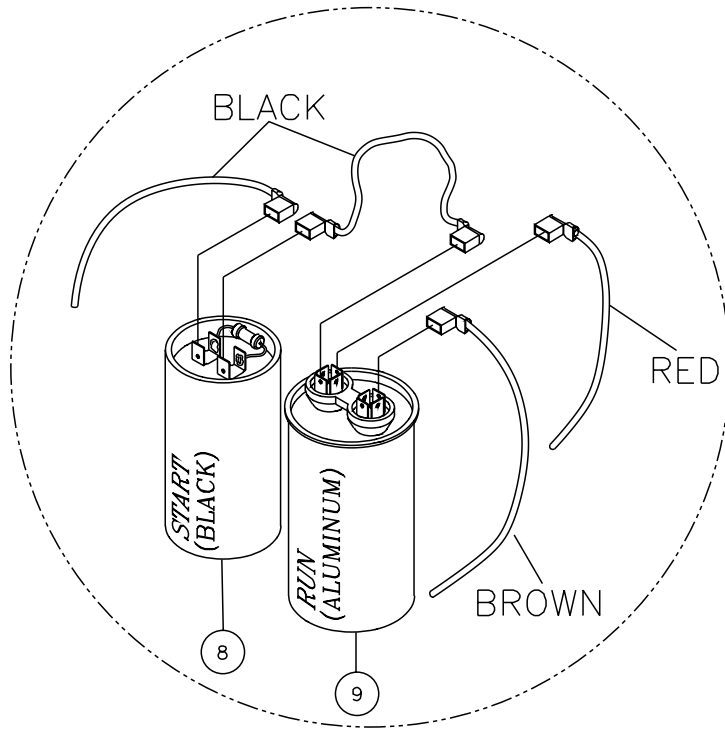


0MHSE007-041701-BAR

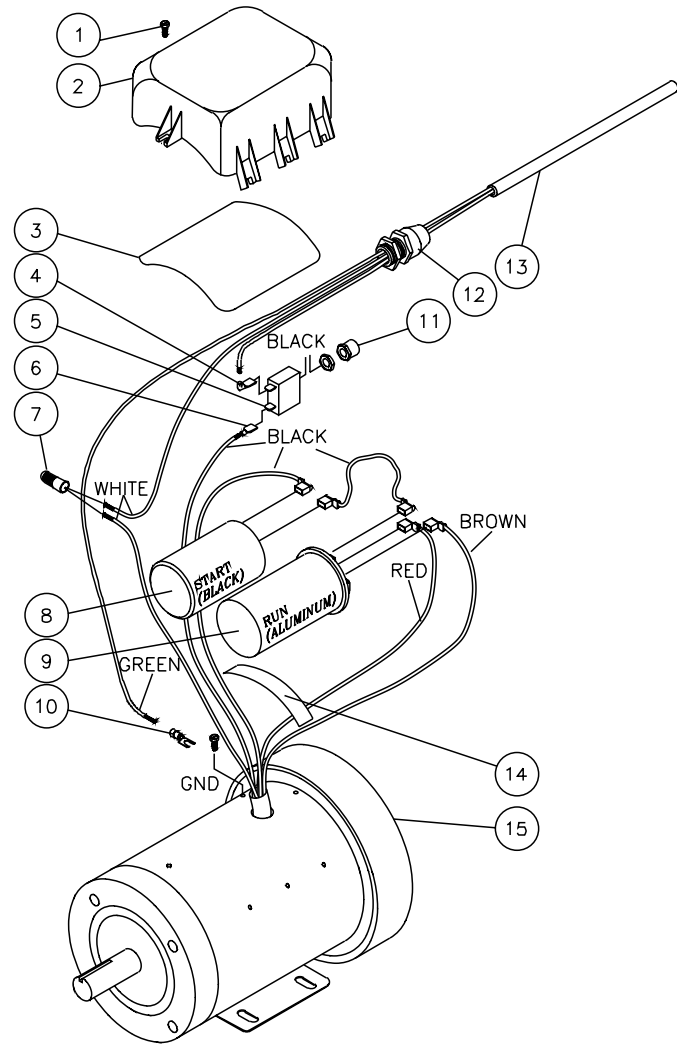
MOTOR/PUMP ASSEMBLY

REF. #	DESCRIPTION	PART #	QTY.		REF. #	DESCRIPTION	PART #	QTY.
1	Motor Assembly-1.5 HP	850-0213	1		12	Elbow	23-0307	1
2	Key	43-0072	1		13	Hose Assembly	15-0174	1
3	Elbow	23-0014	1		14	Adapter	23-0243	1
4	Pressure Switch	22-0171	1		15	Inline Strainer Complete (Includes 16-21)	19-0206	1
5	Heat Dump Valve	22-0114	1		16	Garden Hose Gasket	26-0001	1
6	Washer	29-0155	4		17	Garden Hose Swivel (See 19-0206)	N/A Sep.	1
7	Bolt	27-0118	4		18	O-ring	25-0517	1
8	Pump Assembly	3-0071	1		19	Strainer	19-0209	1
9	Unloader Valve w/ Detergent Injector	8-0493	1		20	Sight Glass	19-0208	1
10	Detergent Hose *(Six Feet Required)	15-0021	1		21	Inlet Body (See 19-0206)	N/A Sep.	1
11	Detergent Strainer	19-0050	1		*Must Order in One Foot Lengths.			

MOTOR (850-0213)

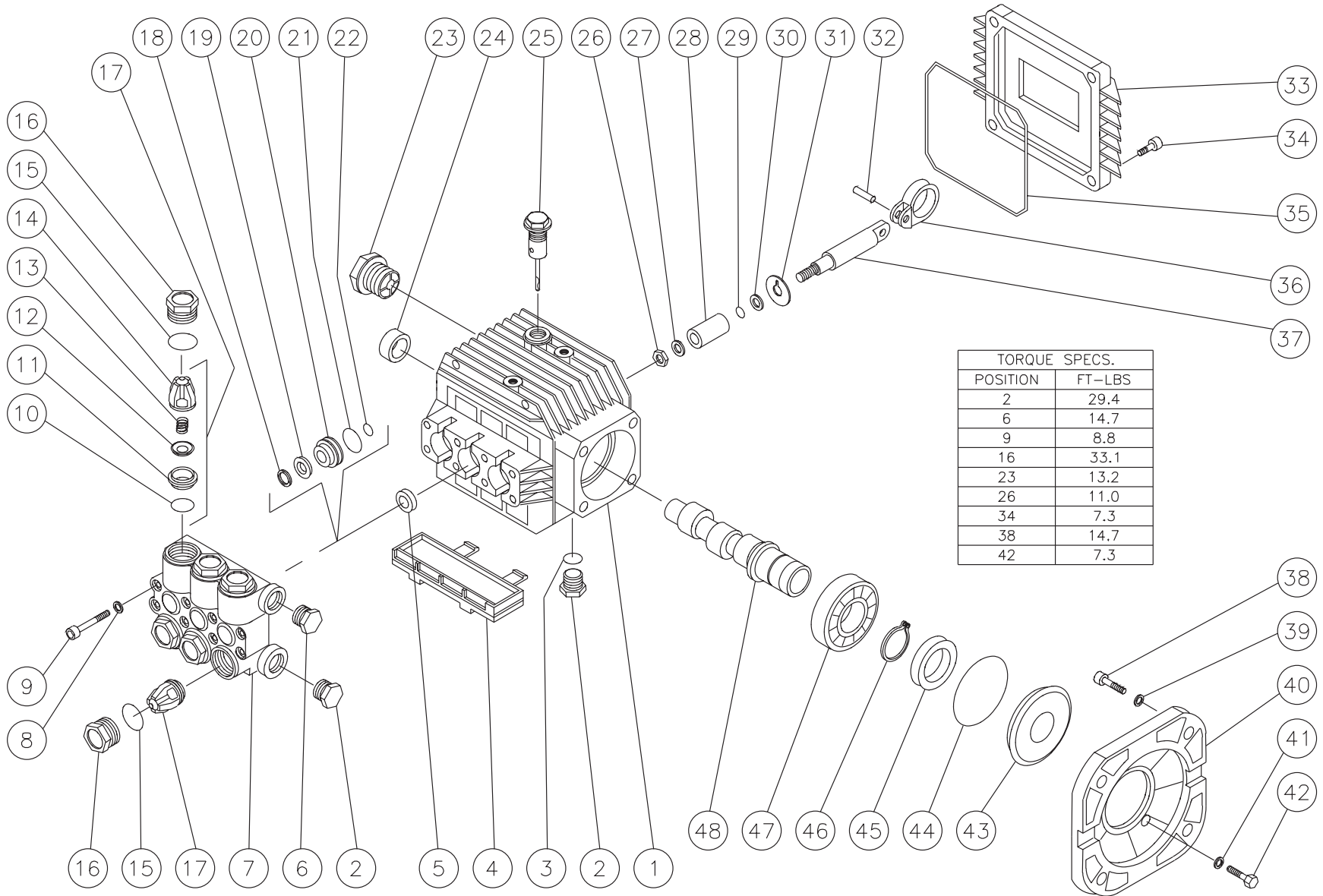


CAPACITOR TERMINAL ASSEMBLY



MOTOR (850-0213)			
REF.	DESCRIPTION	PART #	QTY.
1	Screw	27-8389	8
2	Motor Box	52-0041	1
3	O-ring	25-0338	1
4	Terminal	32-0451	2
5	Circuit Breaker 20 Amp	32-0438	1
6	Terminal Spade	32-0221	1
7	Crimp Splice	32-0359	1
8	Capacitor-Start 1.5 w/Motor	32-0411	1
9	Capacitor-Run 1.5 w/Motor	32-0413	1
10	Terminal-Fork	32-0034	1
11	Rubber Boot	32-0441	1
12	Strain Relief	32-0437	1
13	Cord *(Two Feet Required)	32-0440	1
14	Motor Box Strap	52-0042	1
15	Motor	N/A	1
	Motor Assembly Complete-1.5 HP	850-0213	
*Must Order in One Foot Lengths			

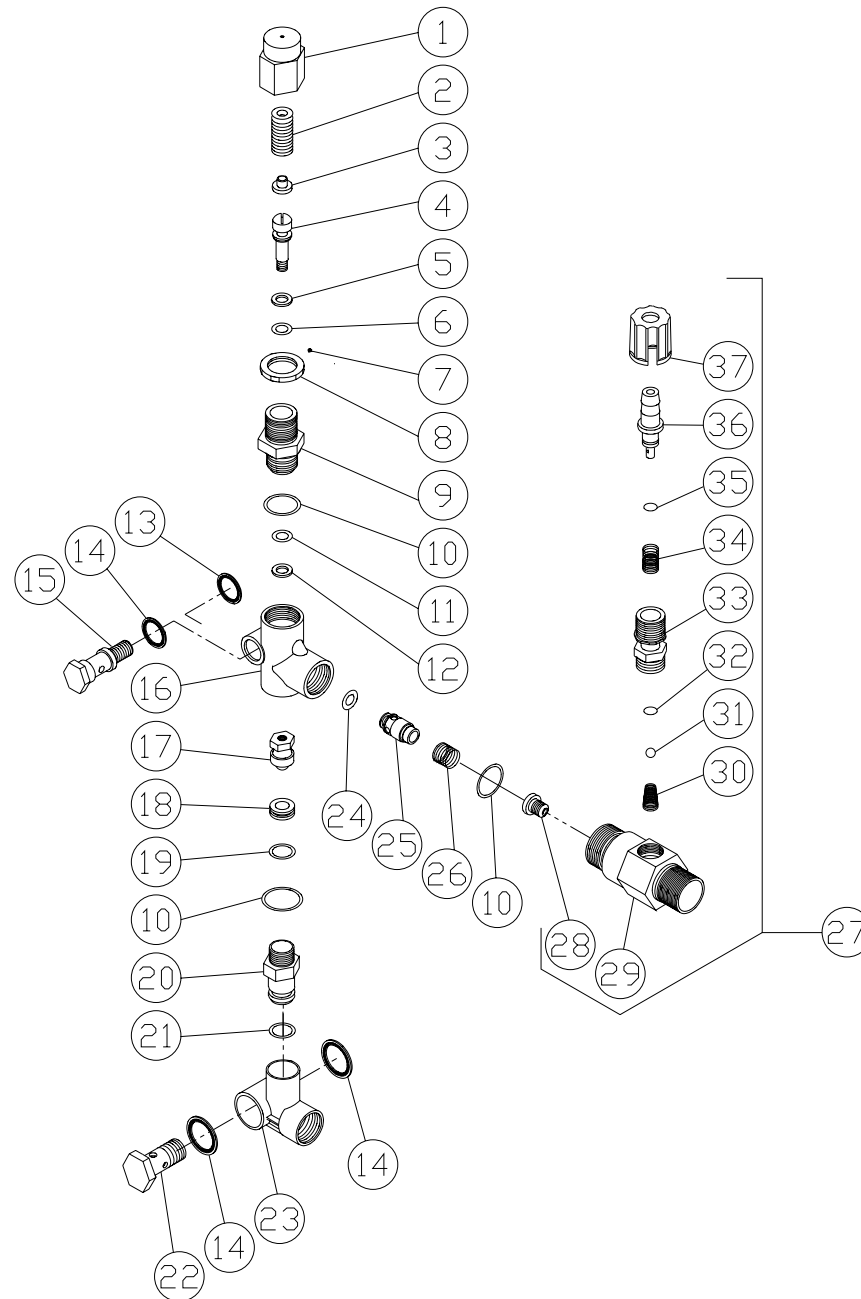
HIGH PRESSURE PUMP (3-0071)



3-0071-070600-RD

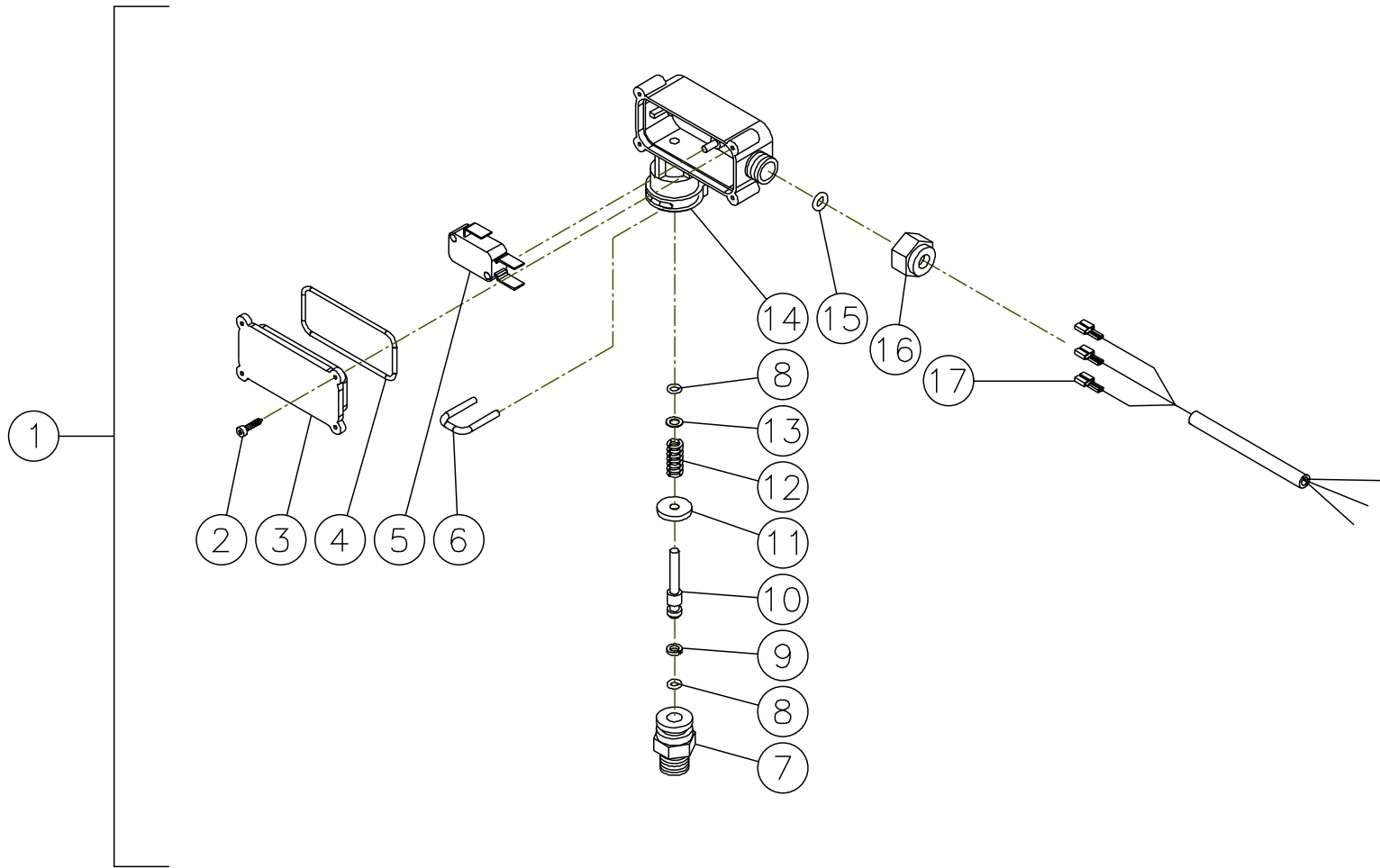
PUMP ASSEMBLY (3-0071)							
REF. #	DESCRIPTION	PART #	QTY.	REF. #	DESCRIPTION	PART #	QTY.
1	Crankcase	46-0221	1	27	Washer	46-0166	3
2	Plug	39-0018	2	28	Plunger- Ceramic	46-0148	3
3	O-ring	25-0052	1	29	O-ring	25-0045	3
4	Drip Pan	46-0229	1	30	Back-up Ring	25-0143	3
5	Oil Seal	26-0111	3	31	Washer	46-0167	3
6	Plug	39-0017	1	32	Connecting Rod	43-0044	3
7	Manifold- Brass	46-0163	1	33	Crankcase Cover	46-0151	1
8	Lockwasher	29-0153	12	34	Bolt	27-8409	4
9	Bolt	27-8406	8	35	Cover O-ring	25-0332	1
10	O-ring (See 70-0009)	N/A Sep.	6	36	Connecting Rod	46-0152	3
11	Valve Seat (See 70-0009)	N/A Sep.	6	37	Piston Guide	46-0149	3
12	Valve Plate (See 70-0009)	N/A Sep.	6	38	Bolt	27-0118	4
13	Valve Spring (See 70-0009)	N/A Sep.	6	39	Lockwasher	29-0155	4
14	Valve Cage (See 70-0009)	N/A Sep.	6	40	Flange	38-0032	1
15	O-ring	25-0012	6	41	Lockwasher	29-0153	4
16	Valve Plug	39-0035	6	42	Bolt	27-8409	4
17	Valve Assembly (Includes 10-14) (See 70-0009)	N/A Sep.	6	43	Bearing Spacer	46-0087	1
18	Head Ring (See 70-0024)	N/A Sep.	3	44	O-ring	25-0060	1
19	V-packing (See 70-0024)	N/A Sep.	3	45	Oil Seal	26-0126	1
20	V-packing Retainer	46-0158	3	46	Snap Ring	46-0245	1
21	O-ring	25-0141	3	47	Ball Bearing	48-0024	1
22	O-ring	25-0128	3	48	Crankshaft	46-0277	1
23	Oil Level Indicator	46-0114	1		Valve Kit (Includes 3 each 10-14, 17)	70-0009	
24	Bearing	48-0019	1		V-packing Kit (Includes 3 each 18-19, 21-22)	70-0024	
25	Oil Dip Stick	46-0143	1		V-packing Assembly (Includes 18-22)	70-0023	
26	Nut	46-0168	3				

UNLOADER (8-0493) & DETERGENT INJECTOR (46-0752) ASSEMBLY



UNLOADER (8-0493) & DETERGENT INJECTOR (46-0752) ASSEMBLY							
REF. #	DESCRIPTION	PART #	QTY.	REF. #	DESCRIPTION	PART #	QTY.
1	Adjusting Cap	39-0092	1	21	O-ring	25-0376	1
2	Spring	49-0120	1	22	Connector	N/A	1
3	Spring Retainer	8-0421	1	23	Bypass Fitting	N/A	1
4	Piston Stem	46-0324	1	24	O-ring	25-0375	1
5	Back-up Ring	25-0206	1	25	Flow Balancer	8-0426	1
6	O-ring (See 70-0168)	N/A Sep.	1	26	Spring	49-0121	1
7	Set Screw	8-0479	1	27	Detergent Injector- 1.80mm	46-0752	1
8	Locknut	46-0651	1	28	Orifice- 1.80mm	50-0146	1
9	Piston Retainer	8-0424	1	29	Injector Body	N/A	1
10	O-ring (See 70-0168)	N/A Sep.	3	30	Spring (See 852-0056)	N/A Sep.	1
11	O-ring (See 70-0168)	N/A Sep.	1	31	Ball (See 852-0056)	N/A Sep.	1
12	Back-up Ring	25-0203	1	32	O-ring (See 852-0056)	N/A Sep.	1
13	Washer	8-0433	1	33	Piston Retainer	N/A	1
14	Washer	8-0427	3	34	Spring	49-0056	1
15	Connector	23-0286	1	35	O-ring (See 852-0056)	N/A Sep.	1
16	Body	N/A	1	36	Barb	50-0157	1
17	Valve and Ball Assembly	46-0320	1	37	Adjustable Knob	50-0158	1
18	Bypass Seat	8-0430	1		Unloader Repair Kit (Inc. 4-6, 10-12, 17-19, 21)	70-0168	
19	O-ring	25-0202	1		Injector Repair Kit (Inc. 30-32, 35)	852-0056	
20	Bypass Fitting	N/A	1				

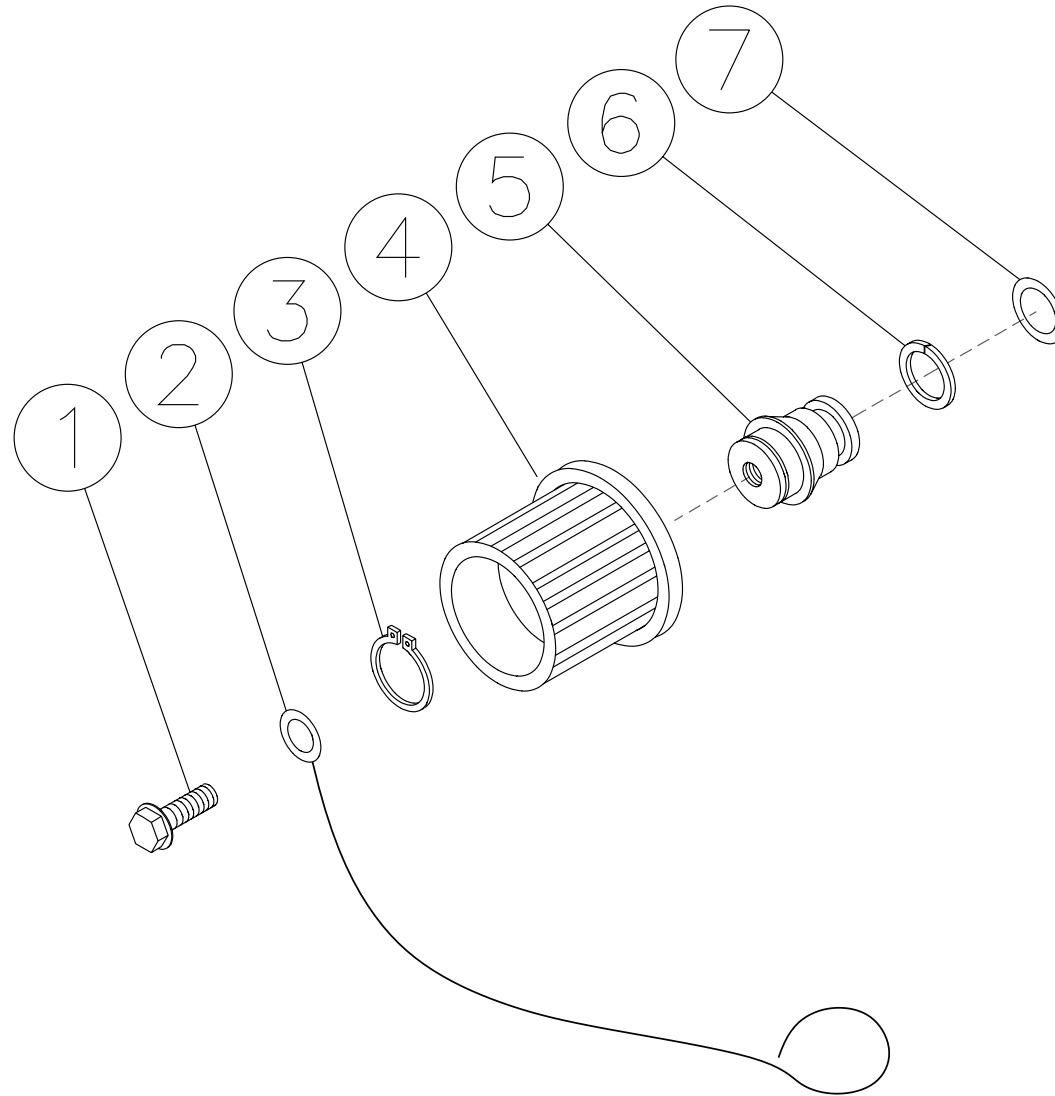
PRESSURE SWITCH (22-0171)



22-0171&22-0243-120799-BAR

PRESSURE SWITCH (22-0171)			
REF. #	DESCRIPTION	PART #	QTY.
1	Pressure Switch	22-0171	1
2	Screw	N/A	4
3	Cover	N/A	1
4	O-ring (See 70-0306)	N/A Sep.	1
5	Micro Switch	N/A	1
6	Retainer Clip	N/A	1
7	Body	N/A	1
8	O-ring (See 70-0306)	N/A Sep.	2
9	Back-up Ring (See 70-0306)	N/A Sep.	1
10	Piston	N/A	1
11	Washer	N/A	1
12	Spring	49-0144	1
13	Washer	N/A	1
14	Plastic Housing	N/A	1
15	O-ring (See 70-0306)	N/A Sep.	1
16	Nut	N/A	1
17	Wire Assembly	N/A	1
	O-ring Repair Kit (Inc. 4, 8-9, 15)	70-0306	

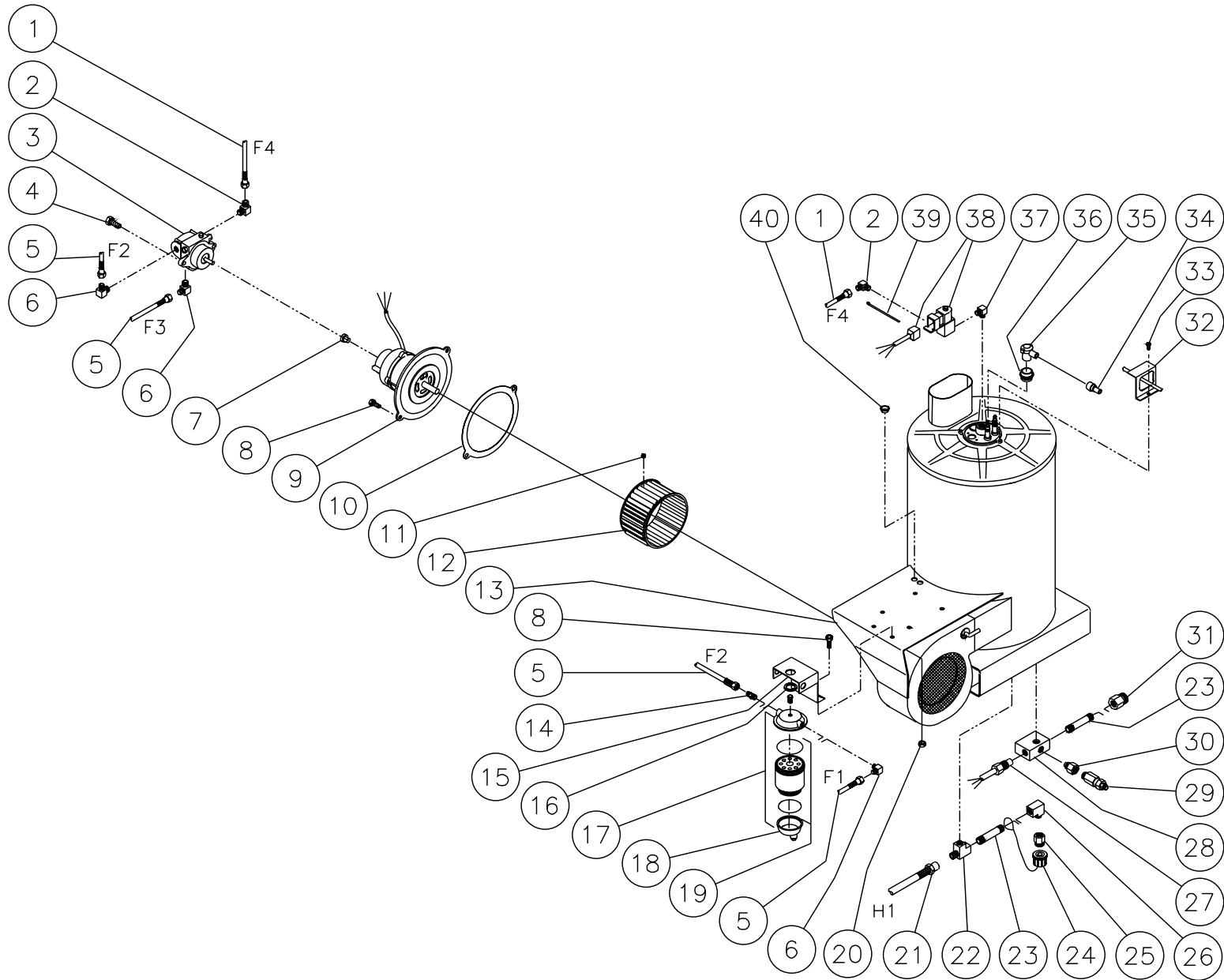
COIL DRAIN PLUG (850-0218)



850-0218-041597-BAR

COIL DRAIN PLUG (850-0218)			
REF. #	DESCRIPTION	PART #	QTY.
1	Bolt	27-9526	1
2	Retaining Cable	33-0260	1
3	Snap Ring	33-0261	1
4	Hand Wheel	16-0239	1
5	Plug	24-0147	1
6	Back-up Ring	25-0424	1
7	O-ring	25-0423	1

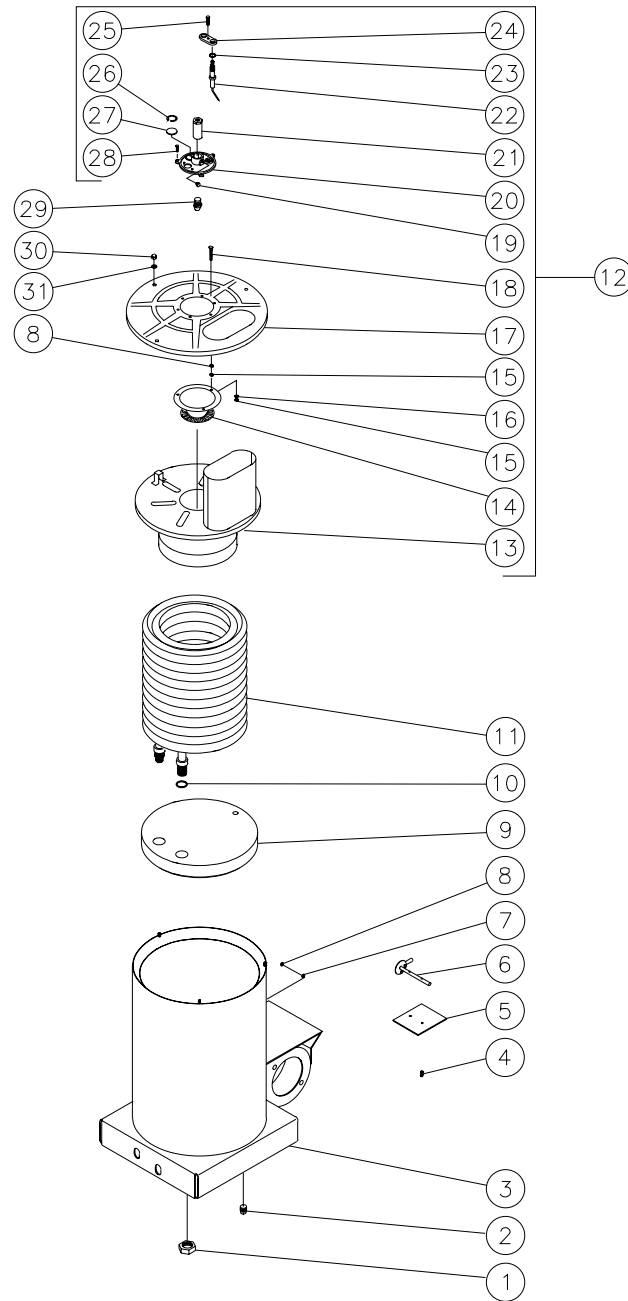
HEAT EXCHANGER/BLOWER MOTOR



OMHSE006-111602-RD

HEAT EXCHANGER/ BLOWER MOTOR							
REF. #	DESCRIPTION	PART #	QTY.	REF. #	DESCRIPTION	PART #	QTY.
1	Fuel Hose Assembly	15-0173	1	22	Tee	23-0058	1
2	Elbow	23-0287	2	23	Pipe Nipple	24-0141	2
3	Fuel Pump	3-0020	1	24	Coil Drain Plug Assembly	850-0218	1
4	Bolt	27-8898	2	25	Adapter	23-0279	1
5	Fuel Hose Assembly	15-0147	3	26	Elbow	23-0034	1
6	Elbow	23-0237	3	27	High Limit Temp. Switch 120V	32-0423	1
7	Fuel Pump Flex Coupler	33-0265	1	-	High Limit Temp. Switch 240V	32-0421	1
8	Bolt	27-9524	4	28	Coil Outlet Block	24-0138	1
9	Blower Motor-120 Volt	2-0085	1	29	Pressure Relief Valve	22-0272	1
-	Blower Motor-240 Volt	2-0086	1	30	Adapter	23-0369	1
10	Shim	20-0460A01	1	31	Adapter	23-0197	1
11	Set Screw	30-3031	1	32	Electrode Bracket	20-0417A01	1
12	Blower Fan	44-0103	1	33	Screw	27-8803	3
13	Boiler Assembly	850-0212	1	34	Insulator	32-0375	2
14	Male Connector	23-0247	1	35	Electrode Connector Cap	44-0083	2
15	Fuel Water Separator Bracket	20-0416A01	1	36	Electrode Boot	32-0418	2
16	Gasket	26-0001	1	37	Elbow	23-0249	1
17	Fuel Water Separator	19-0070	1	38	Fuel Solenoid- 120V	44-0101	1
18	Fuel Water Separator Bowl	19-0071	1	39	Cable Tie	33-0022	1
19	Fuel Water Separator Strainer	19-0053	1	40	Bushing	9-0028	2
20	Hex Nut	30-3023	2				
21	Hose Assembly- HSE-0 Units	15-0174	1				
-	Hose Assembly- HSE-3 Units	15-0204	1				

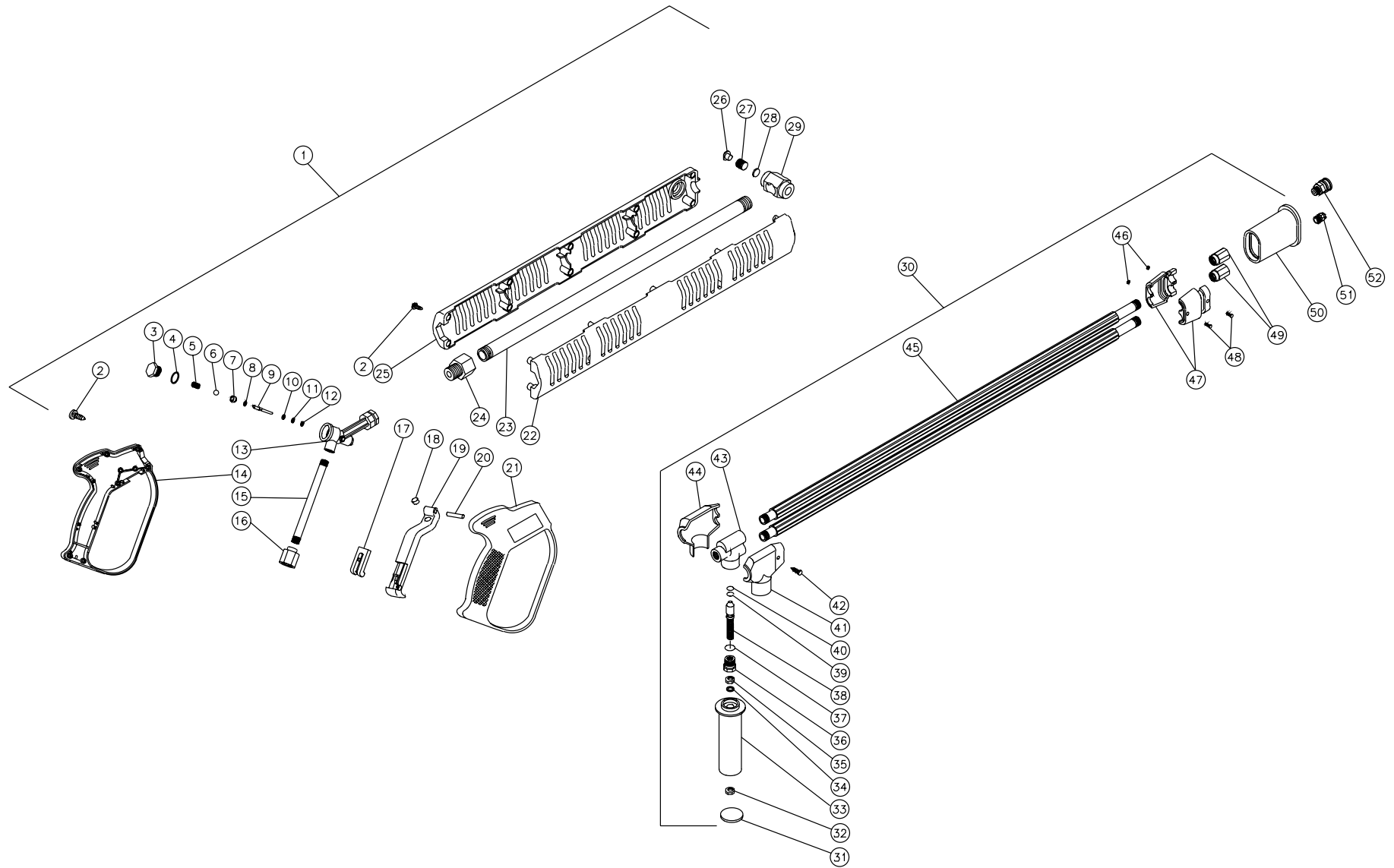
BOILER ASSEMBLY (850-0212)



850-0212-113099-BAR

BOILER ASSEMBLY (850-0212)							
REF. #	DESCRIPTION	PART #	QTY.	REF. #	DESCRIPTION	PART #	QTY.
1	Hex Nut	30-0121	2	18	Bolt	27-8806	3
2	Plug	24-0034	1	19	Bolt	27-8805	1
3	Heat Exchanger Outer Wrap	20-0404A01	1	20	Support Plate	33-0183	1
4	Bolt Hex Head	27-8879	2	21	Nozzle Holder	33-0182	1
5	Air Diverter Plate	20-0378A01	1	22	Electrode	32-0377	2
6	Air Diverter Stem Assembly	20-0377A01	1	23	Washer	28-1007	2
7	Lockwasher	28-1009	1	24	Electrode Mounting Plate	33-0180	1
8	Nut	30-6001	4	25	Bolt	27-8807	1
9	Bottom Insulation	33-0267	1	26	Snap Ring	25-0290	1
10	Washer	28-0521	2	27	Sight Glass	33-0179	1
11	Heat Exchanger Coil Assembly	66-0009	1	28	Bolt	27-8803	3
12	Pan Assembly (Includes 13-28)	70-0184	1	29	Fuel Nozzle (HSE-1002/ 1502)	18-0268	1
13	Exhaust Pan	20-0324	1	-	Fuel Nozzle (HSE-2003)	18-0310	1
14	Heat Deflector	20-0325	1	30	Acorn Nut	30-6002	3
15	Nut	30-6001	6	31	Star Washer	28-1028	3
16	Lockwasher	28-1009	3		Boiler Assembly (Inc. 1-28, 30, 31)	850-0212	
17	Top Pan	20-0323	1				

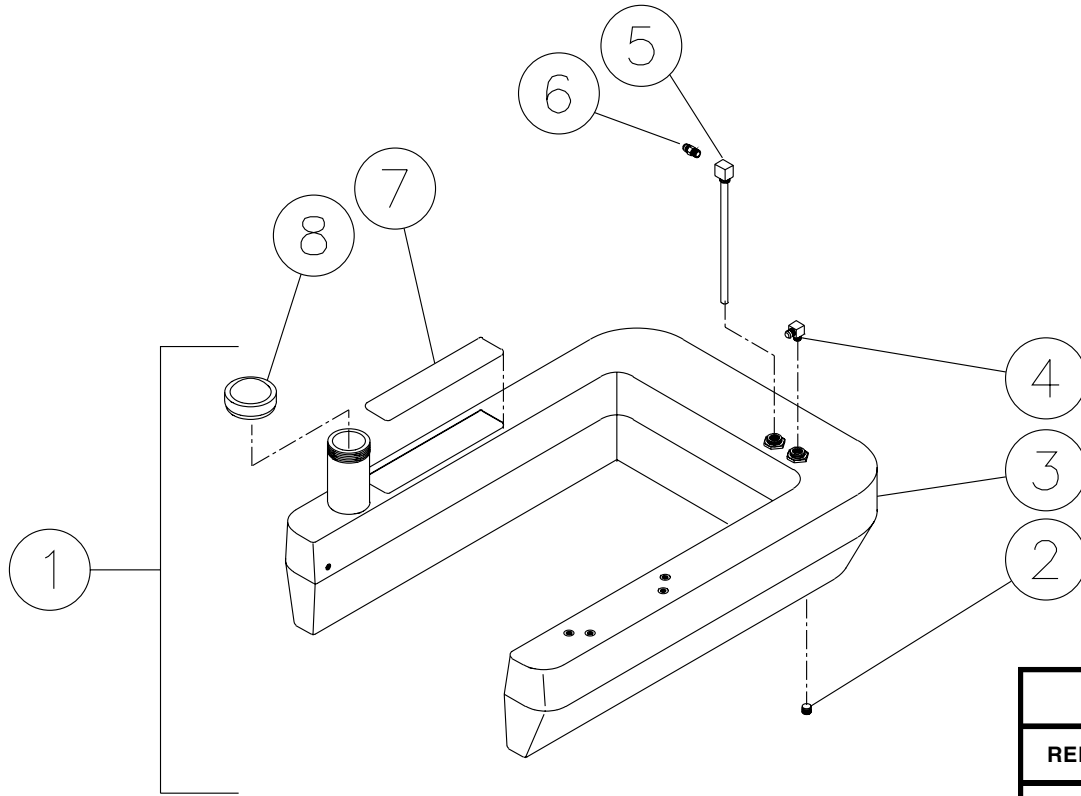
GUN/WAND (850-0179) & ADJUSTABLE PRESSURE DUAL LANCE (850-0185)



850-0179-111401-RD

GUN/WAND (850-0179) & ADJUSTABLE PRESSURE DUAL LANCE (850- 0185)												
REF. #	DESCRIPTION	PART #	QTY.	REF. #	DESCRIPTION	PART #	QTY.	REF. #	DESCRIPTION	PART #	QTY.	
1	Gun w/Lance Assembly (Inc. 2-29)	850-0179	1	20	Trigger Pin	43-0069	1	39	Back-up Ring	25-0352	1	
2	Screw	27-8382	13	21	Plastic Housing (Right Side)	16-0334	1	40	O-ring	25-0353	1	
3	Plug (See 70-0057)	N/A Sep.	1	22	Guard Lance (Right Side) (See 70-0324)	N/A Sep.	1	41	Upper Protector	16-0315	1	
4	O-ring (See 70-0057)	N/A Sep.	1	23	Pipe	16-0277	1	42	Screw	27-8862	1	
5	Spring (See 70-0057)	N/A Sep.	1	24	Adapter	16-0283	1	43	Body	23-0272	1	
6	Ball (See 70-0057)	N/A Sep.	1	25	Guard Lance (Left Side) (See 70-0324)	N/A Sep.	1	44	Lower Protector	16-0316	1	
7	Seat (See 70-0057)	N/A Sep.	1	26	Plug	39-0076	1	45	Lance w/Protective Cover	16-0328	2	
8	O-ring (See 70-0057)	N/A Sep.	1	27	Screw	49-0103	1	46	Hex Nut	30-3060	2	
9	Pin (See 70-0057)	N/A Sep.	1	28	Spacer	16-0282	1	47	Pipe Clamp	16-0318	2	
10	Washer (See 70-0057)	N/A Sep.	1	29	Lance Holder (See 850-0179)	N/A Sep.	1	48	Screw	27-8861	2	
11	O-ring (See 70-0057)	N/A Sep.	1	30	Adjustable Dual Lance Assembly (Includes 31-50)	850-0185	1	49	Nipple	24-0127	2	
12	Back-up Ring (See 70-0057)	N/A Sep.	1	31	Handle Plug	16-0312	1	50	Nozzle Protector	16-0319	1	
13	Housing	23-0295	1	32	Hex Nut	30-3002	1	51	Nozzle-4060	18-0110	1	
14	Plastic Housing (Left Side)	16-0336	1	33	Handle	16-0313	1	52	Quick Connection Fitting	N/A	-	
15	Pipe	21-0095	1	34	Washer	28-1021	1		Gun Repair Kit (Includes 3-12)	70-0057		
16	Nipple	23-0174	1	35	Hex Nut	30-3010	1		O-ring Kit (Includes 37, 39, 40)	70-0143		
17	Trigger Safety Lock	16-0332	1	36	Hex Adapter	23-0271	1		Plastic Housing Kit (Includes 2, 22, 25, 26)	70-0324		
18	Trigger Rest	16-0333	1	37	O-ring	25-0351	1					
19	Trigger	16-0335	1	38	Piston Stem	16-0314	1					

FUEL TANK (850-0214)



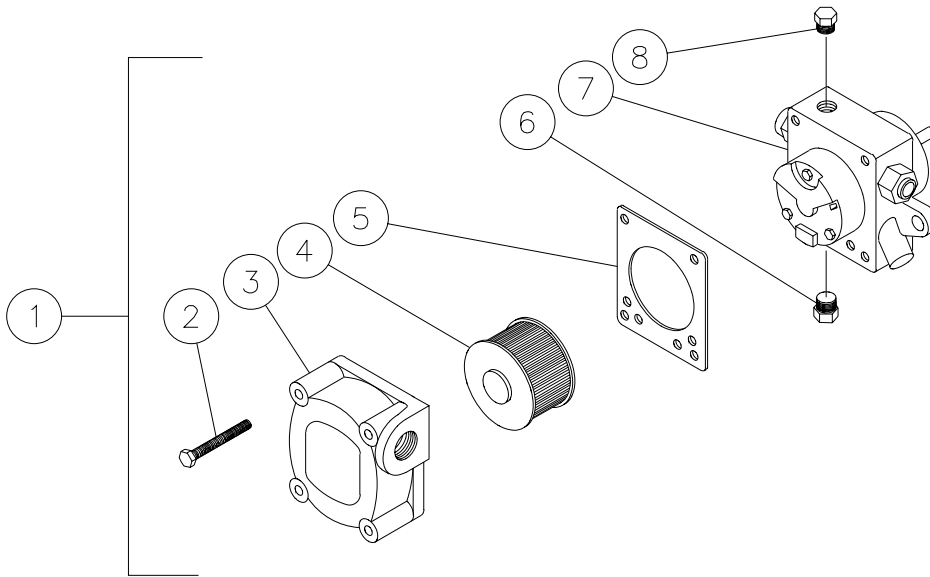
850-0214-121797-BAR

FUEL TANK (850-0214)			
REF. #	DESCRIPTION	PART #	QTY.
1	Fuel Tank Assembly (Inc. 2-8)	850-0214	1
2	Plug	23-0296	1
3	Fuel Tank (See 850-0214)	N/A Sep.	1
4	Elbow	23-0237	1
5	Fuel Pick-up Line	33-0270	1
6	Flare	23-0247	1
7	Decal-Warning-Risk of Fire (E/S)	34-0806	1
8	Vented Fuel Cap	12-0033	1

850-0214-121797-BAR

OMHSP018-041597-BAR

FUEL PUMP (3-0020)

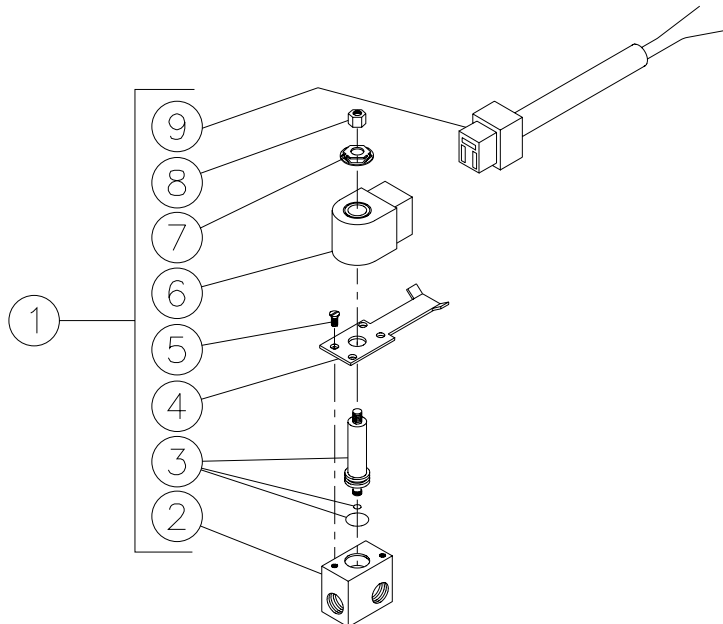


OMHSP018A-041597-BAR

FUEL PUMP (3-0020)			
REF. #	DESCRIPTION	PART #	QTY.
1	Fuel Pump Complete - Right Hand	3-0020	1
2	Cover Screw	46-1006	4
3	Cover-Right Hand	46-1005	1
4	Strainer	19-0034	1
5	Cover Gasket	26-0109	1
6	Plug	24-0044	3
7	Body	N/A	1
8	Plug	24-0082	1

OMHSP013-121698-BAR

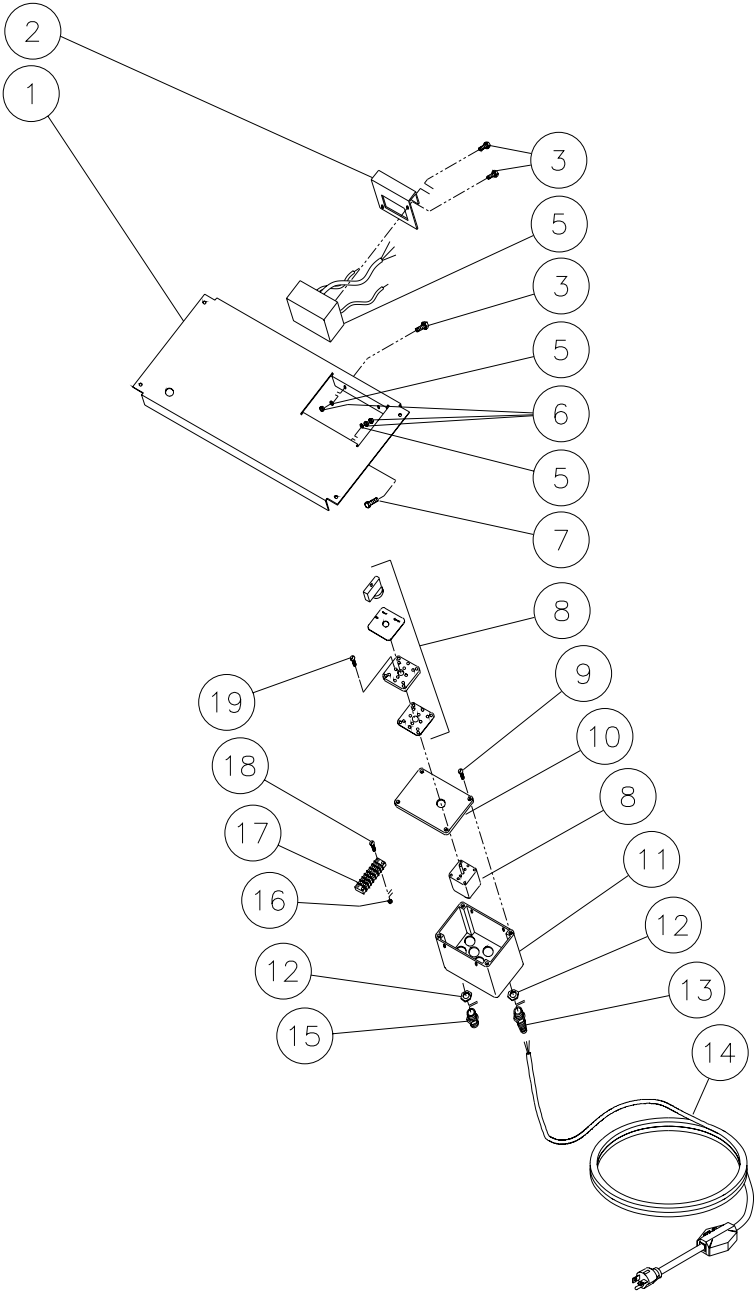
FUEL SOLENOID (44-0101)



OMHSP013-44-0101-121698-BAR

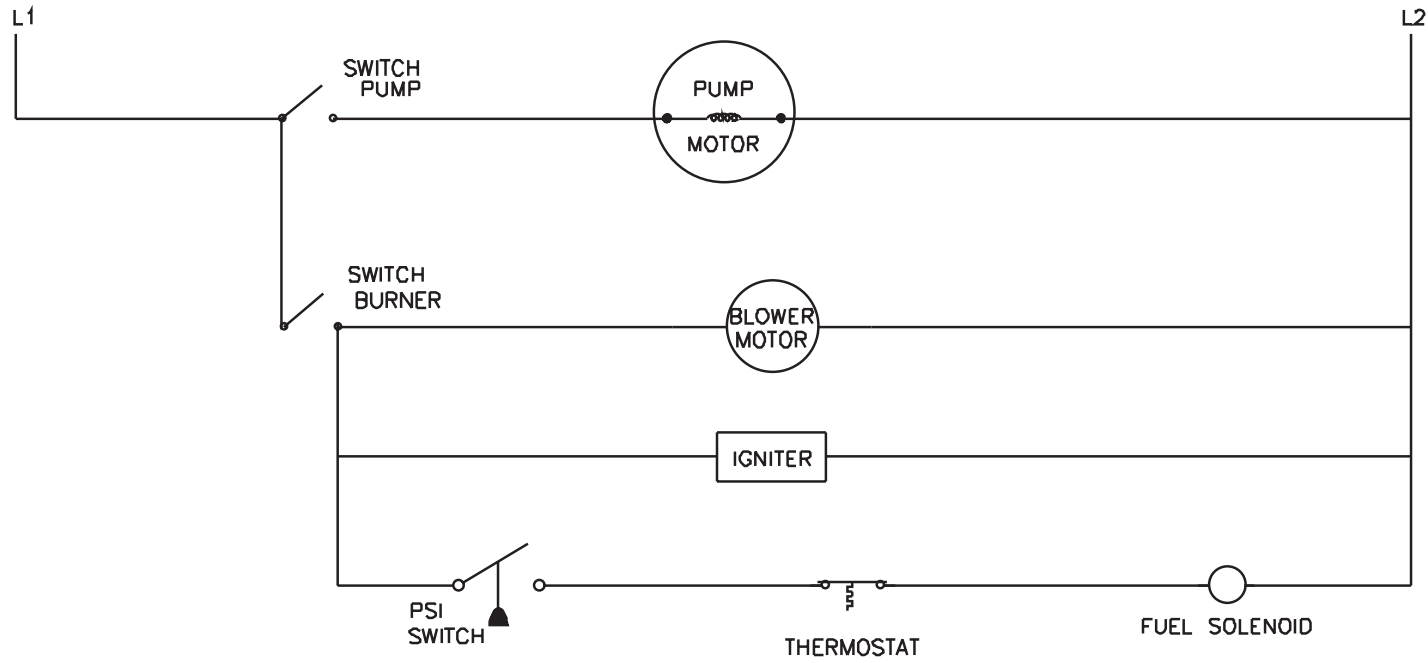
FUEL SOLENOID (44-0101)			
REF. #	DESCRIPTION	PART #	QTY.
1	Solenoid Complete-120V	44-0101	1
2	Solenoid Body	46-1013	1
3	Solenoid Piston	46-1012	1
4	Solenoid Base	46-1014	1
5	Screw (See 44-0101)	N/A Sep.	2
6	Solenoid Coil-120V	46-1020	1
7	Spring (See 44-0101)	N/A Sep.	1
8	Piston Nut	46-1016	1
9	Din Connector Cord	32-0443	1

CONTROL PANEL



CONTROL PANEL			
REF. #	DESCRIPTION	PART #	QTY.
1	Control Panel	20-0405A01	1
2	Igniter Bracket	20-0414A01	1
3	Bolt	27-9526	7
4	Igniter	44-0104	1
5	Washer	28-1009	4
6	Hex Nut	30-6001	5
7	Bolt	27-8807	1
8	Cam Switch	32-0434	1
9	Hardware Kit	70-0197	1
10	Lid	32-0433A01	1
11	Electric Box	32-0432A01	1
12	Locknut	32-0108	7
13	Strain Relief	32-0407	1
14	Electrical Cord w/GFCI	32-0268	1
15	Strain Relief	32-0437	6
16	Hex Nut	30-0137	2
17	Terminal Strip	32-0436	1
18	Bolt	27-8861	2
19	Screw	27-8897	2

WIRE SCHEMATIC

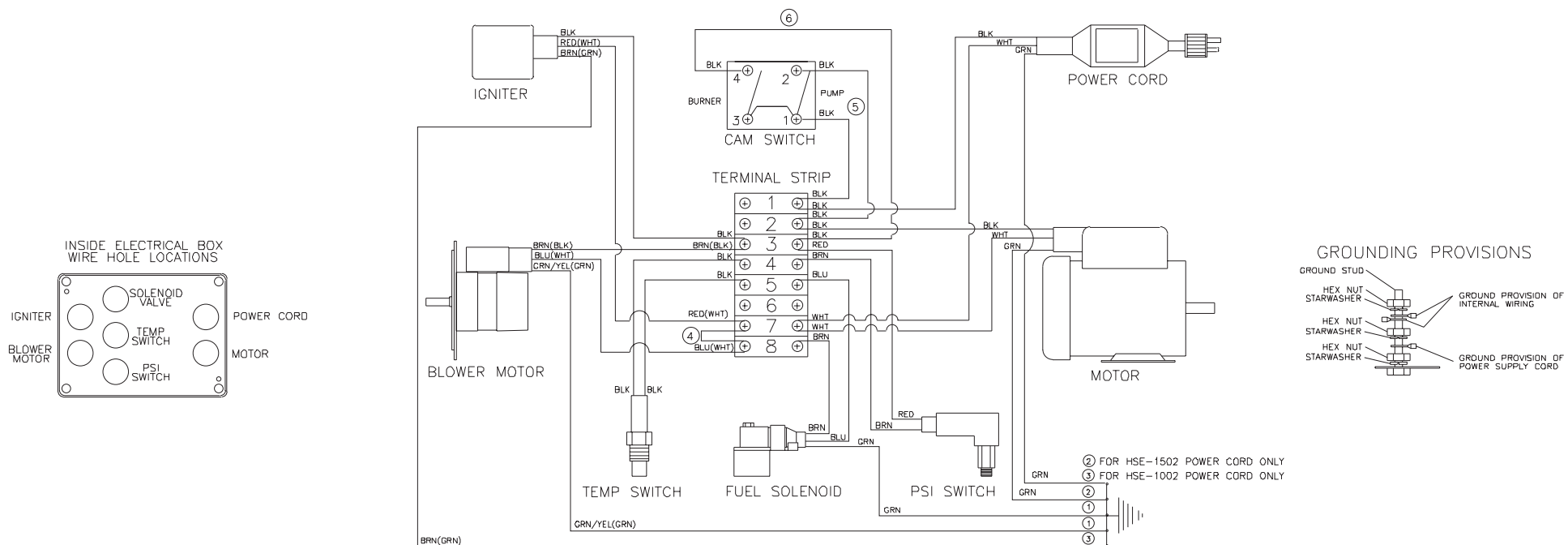


OMHSE09S-041602-KZ

WIRING SCHEMATIC	
REF. #	DESCRIPTION
L1	Power (Black)
L2	Power (White)
M1	Pump Motor- 120 Volt
M2	Blower Motor-120 Volt
SW2	Pressure Switch
SW3	Temp Switch
FS1	Fuel Solenoid-120 Volt
IG1	Igniter-120 Volt

OMHSE009-041602-KZ

WIRE DIAGRAM



OMHSE009D-041602-KZ

OMHSE09D-041602-KZ

WIRING DIAGRAM				
REF. #	DESCRIPTION	PART #	1002 QTY.	1502 QTY.
1	Ring Terminal-Red	32-0446	2	2
2	Ring Terminal-Yellow	32-0002	1	2
3	Ring Terminal-Blue	32-0044	2	1
4	Jumper Clip	32-0453	1	1
5	#12 Black Wire *(Two Feet Required)	32-0091	1	1
6	#16 Black Wire *(One Foot Required)	32-0256	1	1
*Must Order in One Foot Lengths				

