

# THE **JOB PRO**<sup>®</sup> by **Mi-T-M**<sup>®</sup>

8650 Enterprise Drive, Peosta IA 52068  
563-556-7484 / Fax 563-556-1235

## **PARTS LIST FOR** ***JP-2503-OME1/OME3***

<b>Motor Horsepower:</b>	<b>6 H.P.</b>
<b>Pump Oil Grade:</b>	<b>Mi-T-M Pump Oil #AW-4085-0016</b>
<b>Pump Oil Capacity:</b>	<b>18.5 oz.</b>
<b>Nozzle Size:</b>	<b>4.0</b>

This Parts Listing has been compiled for your benefit. You can be assured your Mi-T-M Cold Water Pressure Washer was constructed and designed with quality and performance in mind using over 25 years experience in the pressure washer business. Each component has been rigorously tested to insure the highest level of acceptance.

The contents of this Parts Listing are based on the latest product information available at the time of publication. Mi-T-M reserves the right to make changes in price, color, materials, equipment, specifications or models at any time without notice.

**WARNING**

THIS IS A PROFESSIONAL HIGH PRESSURE, COLD WATER PRESSURE WASHER. CAUTION SHOULD BE OBSERVED WHEN USING OR REPAIRING THIS UNIT! READ AND FOLLOW THE SAFETY WARNINGS LISTED BELOW BEFORE ATTEMPTING ANY REPAIRS ON THIS PRESSURE WASHER!

**SAFETY WARNINGS**

1. NEVER alter or modify the equipment. Be sure any accessory items and system components being used will withstand the pressure developed. Use only genuine Mi-T-M parts for repair of your pressure washer. Failure to do so can cause hazardous operating conditions and will VOID warranty.
2. NEVER make adjustments on machinery while the unit is connected to the engine without first removing the ignition cable from the spark plug. Turning over the machinery by hand during adjustment or cleaning might start the engine and machinery with it, causing serious injury to the operator.
3. Know how to stop and bleed pressures quickly. Be thoroughly familiar with controls.
4. Before servicing the unit, turn unit off, relieve the water pressure and allow the unit to cool down. Do not make repairs while the unit is running. Service in a clean, dry, flat area. Block the wheels to prevent the unit from moving. Be especially careful to properly dispose of any flammable materials.
5. After testing the machine, DO NOT leave the pressurized unit unattended. Shut off the unit and release trapped pressure before leaving.

**Table of Contents**

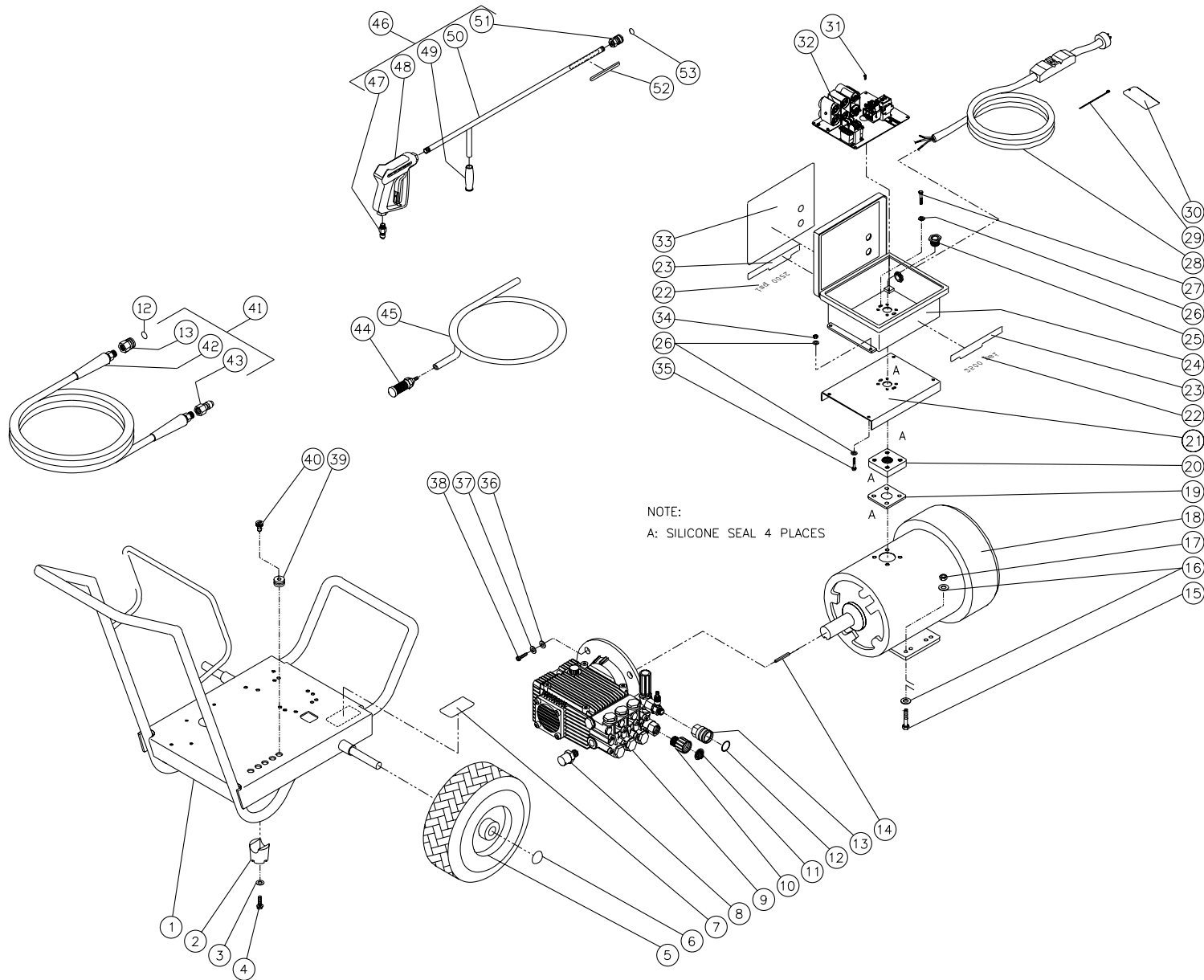
<b>SPECIFICATIONS .....</b>	<b>3</b>
<b>FRAME ASSEMBLY FOR JP-2503-0ME1 .....</b>	<b>4</b>
<b>FRAME ASSEMBLY FOR JP-2503-0ME3 .....</b>	<b>6</b>
<b>PUMP ASSEMBLY (3-0206) .....</b>	<b>8</b>
<b>UNLOADER ASSEMBLY (8-0456) .....</b>	<b>10</b>
<b>GUN ASSEMBLY (16-0001) .....</b>	<b>12</b>
<b>CONTROL BOX ASSEMBLY FOR JP-2503-0ME1 (230 VOLT) .....</b>	<b>14</b>
<b>WIRING SCHEMATIC FOR JP-2503-0ME1 (230 VOLT) .....</b>	<b>16</b>
<b>WIRING DIAGRAM FOR JP-2503-0ME1 (230 VOLT) .....</b>	<b>17</b>
<b>CONTROL BOX ASSEMBLY FOR JP-2503-0ME3 (230 VOLT) .....</b>	<b>18</b>
<b>WIRING SCHEMATIC FOR JP-2503-0ME3 (230 VOLT) .....</b>	<b>20</b>
<b>WIRING DIAGRAM FOR JP-2503-0ME3 (230 VOLT) .....</b>	<b>21</b>
<b>NOTES .....</b>	<b>22</b>

## SPECIFICATIONS

JP-2503-0ME1/3

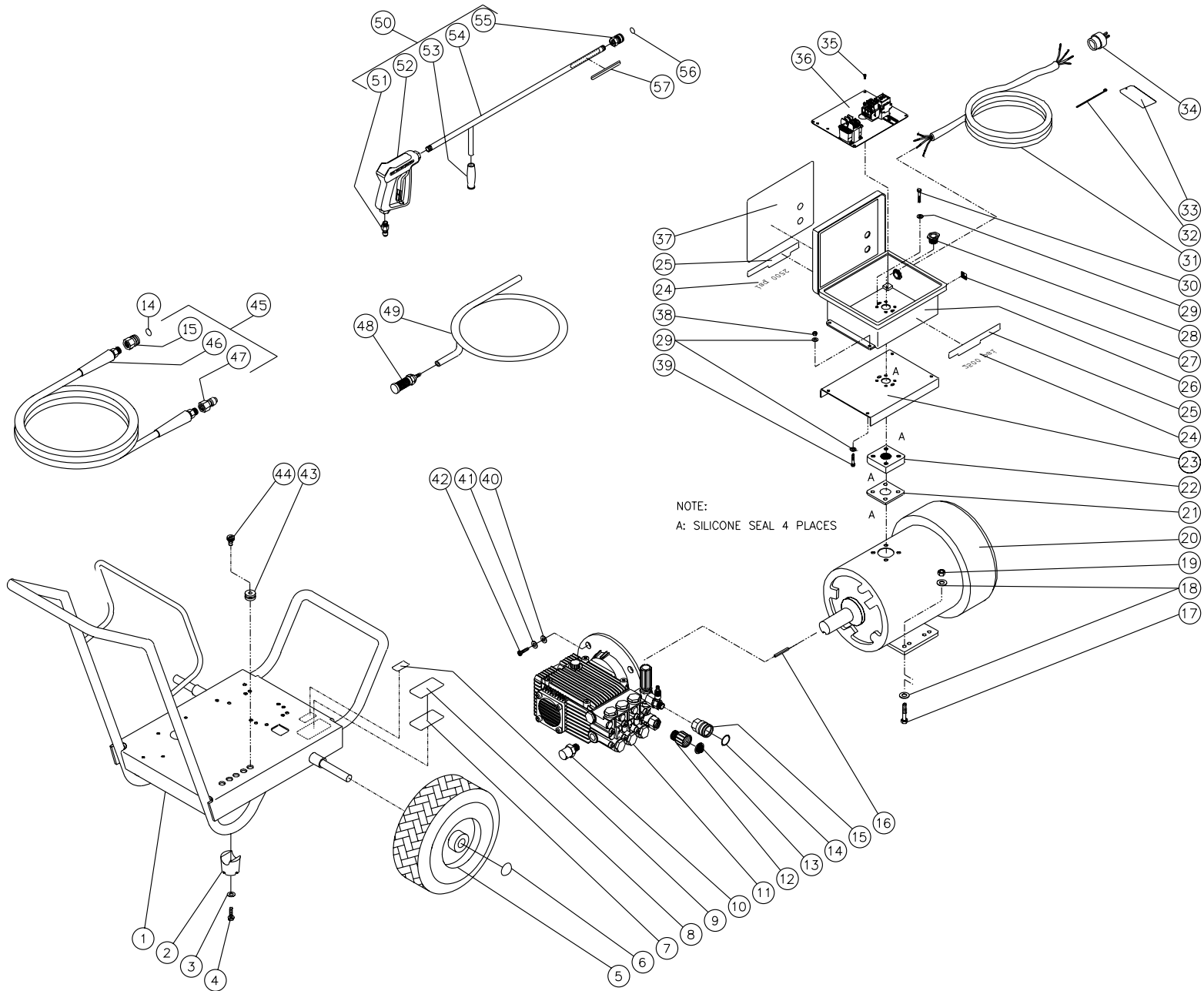
MODEL NUMBER	JP-2503-0ME1	JP-2503-0ME3
<b>Operating Pressure (PSI/Bar):</b>	2500/172.4	
<b>High Pressure Nozzle:</b>	4.0	
<b>Water Volume (GPM/lpm):</b>	3.2/12.1	
<b>Motor:</b>	Totally enclosed fan cooled, circuit breaker thermal overload protection, 35ft. power supply cord with Ground Fault Circuit Interrupter (GFCI)	
Horsepower	6.0	
Voltage	230	230/460
Phase	Single	Three
Amps	24.1	15/7.5
<b>Pump:</b>	Direct Driven, Oil Bath, Triplex Piston	
Oil Type	Mi-T-M Pump Oil #AW-4085-0016	
Oil Capacity (oz./liters)	18.5/.55	
Plungers	Ceramic Coated	
Manifold	Forged Brass	
Valves	Stainless Steel	
Unloader	Adjustable	
Heat Dump Valve	Relieves heated water during unloader bypass stage	
Detergent Injector	Adjustable low pressure down stream from pump	
<b>Unit Net Weight (lbs/Kg)</b>	236/107	206/94
<b>Unit Shipping Weight (lbs/Kg)</b>	290/132	620/118
<b>Unit Net Dimension (in/cm)</b>	44Lx26Wx27H/112Lx66Wx69H	
<b>Unit Shipping Dimension (in/cm)</b>	48Lx30Wx34H/122Lx76Wx86H	

# FRAME ASSEMBLY FOR JP-2503-0ME1



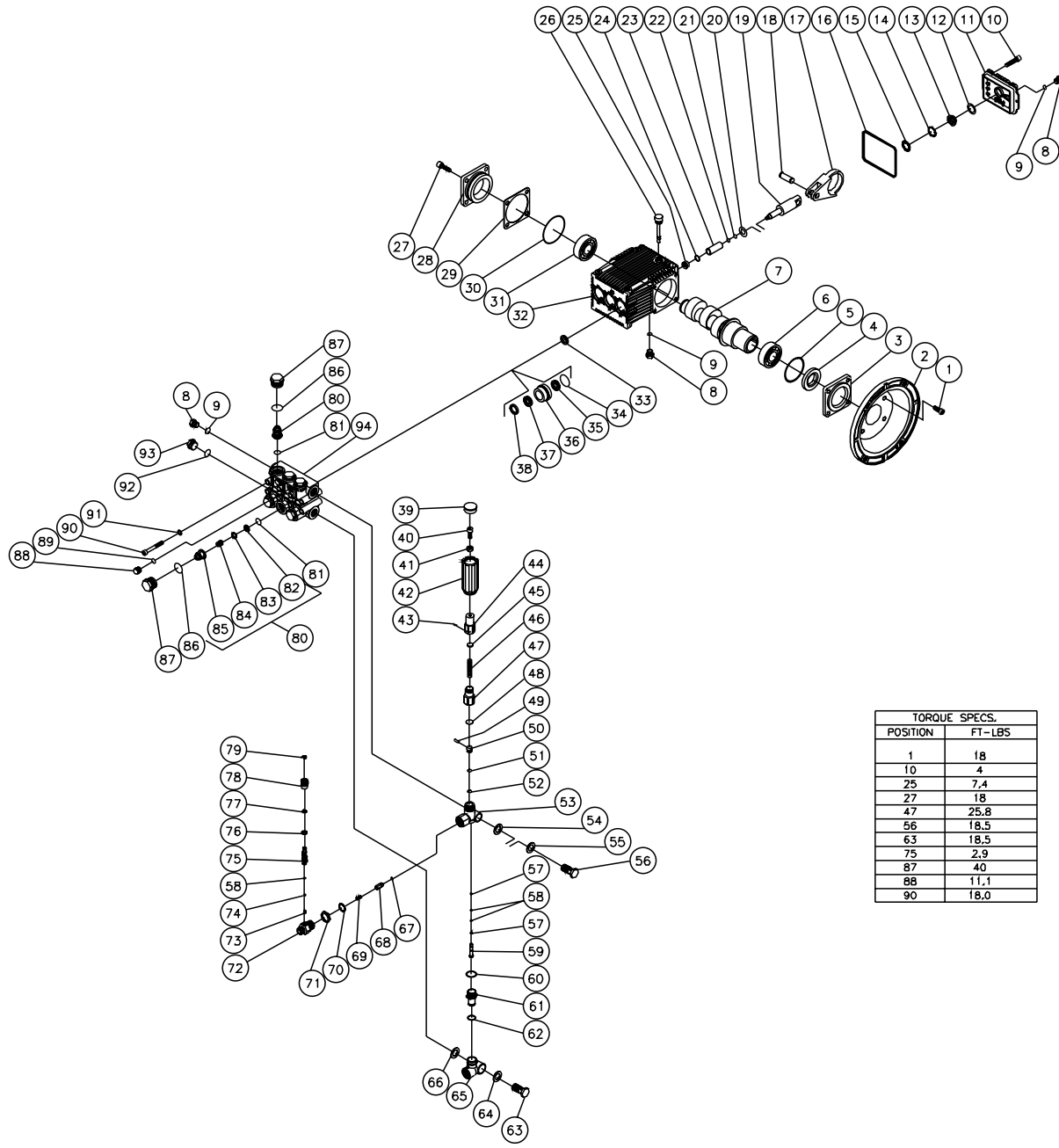
FRAME ASSEMBLY FOR JP-2503-0ME1							
REF. #	DESCRIPTION	PART #	QTY.	REF. #	DESCRIPTION	PART #	QTY.
1	Frame	5-0164A01	1	30	Hang Tag- Warning: Risk of Electrocutation (E/F/S)	34-1035	1
2	Isolator	14-0066	2	31	Screw	27-8922	4
3	Washer	28-0021	2	32	Control Panel (See Exploded Drawing)	N/A Sep.	1
4	Screw	27-3096	2	33	Decal- Warning/Caution/Operation (E/S)	34-1137	1
5	Wheel	14-0017	2	34	Locknut	30-0155	4
6	Hubcap	33-0018	2	35	Bolt	27-0016	4
7	Decal- Data Plate	N/A	1	36	Washer	28-0006	4
8	Heat Dump Valve	22-0005	1	37	Lockwasher	29-0010	4
9	Pump	3-0206	1	38	Bolt	27-0217	4
10	Garden Hose Swivel	23-0095	1	39	Grommet	23-0001	5
11	Strainer	19-0001	1	40	Nozzle- 0004	18-0028	1
12	O-ring (Replacement Only)	25-0123	-	-	Nozzle- 1504	18-0029	1
13	Quick Connect Socket	17-0004	2	-	Nozzle- 2504	18-0030	1
14	Key	43-0078	1	-	Nozzle- 6540	18-0148	1
15	Bolt	27-0167	4	41	Pressure Hose Assembly (Includes 13, 42, 43)	851-0007	1
16	Washer	28-0005	4	42	Pressure Hose	15-0004	1
17	Nylock	30-0161	4	43	Quick Connect Plug	17-0006	1
18	Motor- 6.0 H.P.	2-0114	1	44	Detergent Hose *(Four Feet Required)	15-0021	1
19	Rubber Pad (See 2-0114)	N/A Sep.	1	45	Detergent Strainer	19-0050	1
20	Mounting Flange (See 2-0114)	N/A Sep.	1	46	Gun/Wand Assembly (Includes 47-51)	851-0095	1
21	Support Plate	20-0547A01	1	47	Quick Connect Plug	17-0005	1
22	Decal- Die Cut 2500	34-0773	2	48	Gun	16-0001	1
23	Decal- Job Pro	34-0777	2	49	Handle	7-0002	1
24	Control Box	32-0683	1	50	Wand w/ 36" Handle	16-0120A01	1
25	Nipple	32-0684	1	51	Quick Connect Socket	17-0001	1
26	Washer	28-0002	12	52	Decal- Warning: Risk of Injection (E/S)	34-1253	1
27	Bolt	27-0018	4	53	O-ring (Replacement Only)	25-0122	-
28	Cord	32-0334	1	*Must Order in One Foot Lengths			
29	Cable Tie	33-0022	1				

# FRAME ASSEMBLY FOR JP-2503-0ME3



FRAME ASSEMBLY FOR JP-2503-0ME3							
REF. #	DESCRIPTION	PART #	QTY.	REF. #	DESCRIPTION	PART #	QTY.
1	Frame	5-0164A01	1	32	Cable Tie	33-0022	1
2	Isolator	14-0066	2	33	Hang Tag- Warning: Risk of Electrocution (E/S)	34-0330	1
3	Washer	28-0021	2	34	Plug	32-0118	1
4	Screw	27-3096	2	35	Screw	27-8922	4
5	Wheel	14-0017	2	36	Control Panel (See Exploded Drawing)	N/A Sep.	1
6	Hubcap	33-0018	2	37	Decal- Warning/Caution/Operation (E/S)	34-1137	1
7	Decal- Data Plate	N/A	1	38	Locknut	30-0155	4
8	Decal- Clear Laminate	N/A	1	39	Bolt	27-0016	4
9	Decal- Serial Number	N/A	1	40	Washer	28-0006	4
10	Heat Dump Valve	22-0005	1	41	Lockwasher	29-0010	4
11	Pump	3-0206	1	42	Bolt	27-0217	4
12	Garden Hose Swivel	23-0095	1	43	Grommet	23-0001	5
13	Strainer	19-0001	1	44	Nozzle- 0004	18-0028	1
14	O-ring (Replacement Only)	25-0123	-	-	Nozzle- 1504	18-0029	1
15	Quick Connect Socket	17-0004	2	-	Nozzle- 2504	18-0030	1
16	Key	43-0078	1	-	Nozzle- 6540	18-0148	1
17	Bolt	27-0167	4	45	Pressure Hose Assembly (Includes 15, 46-47)	851-0007	1
18	Washer	28-0005	4	46	Pressure Hose	15-0004	1
19	Nylock	30-0161	4	47	Quick Connect Plug	17-0006	1
20	Motor- 6.0 H.P.	2-0116	1	48	Detergent Hose *(Four Feet Required)	15-0021	1
21	Rubber Pad (See 2-0114)	N/A Sep.	1	49	Detergent Strainer	19-0050	1
22	Mounting Flange (See 2-0114)	N/A Sep.	1	50	Gun/Wand Assembly (Includes 51-55)	851-0095	1
23	Support Plate	20-0547A01	1	51	Quick Connect Plug	17-0005	1
24	Decal- Die Cut 2500	34-0773	2	52	Gun	16-0001	1
25	Decal- Job Pro	34-0777	2	53	Handle	7-0002	1
26	Control Box	32-0683	1	54	Wand w/ 36" Handle	16-0120A01	1
27	Decal- American Flag	34-0521	1	55	Quick Connect Socket	17-0001	1
28	Nipple	32-0684	1	56	O-ring (Replacement Only)	25-0122	-
29	Washer	28-0002	12	57	Decal- Warning: Risk of Injection (English Only)	34-0572	1
30	Bolt	27-0018	4	*Must Order in One Foot Lengths			
31	Cord *(Fourty Feet Required)	32-0384	1				

# PUMP ASSEMBLY (3-0206)



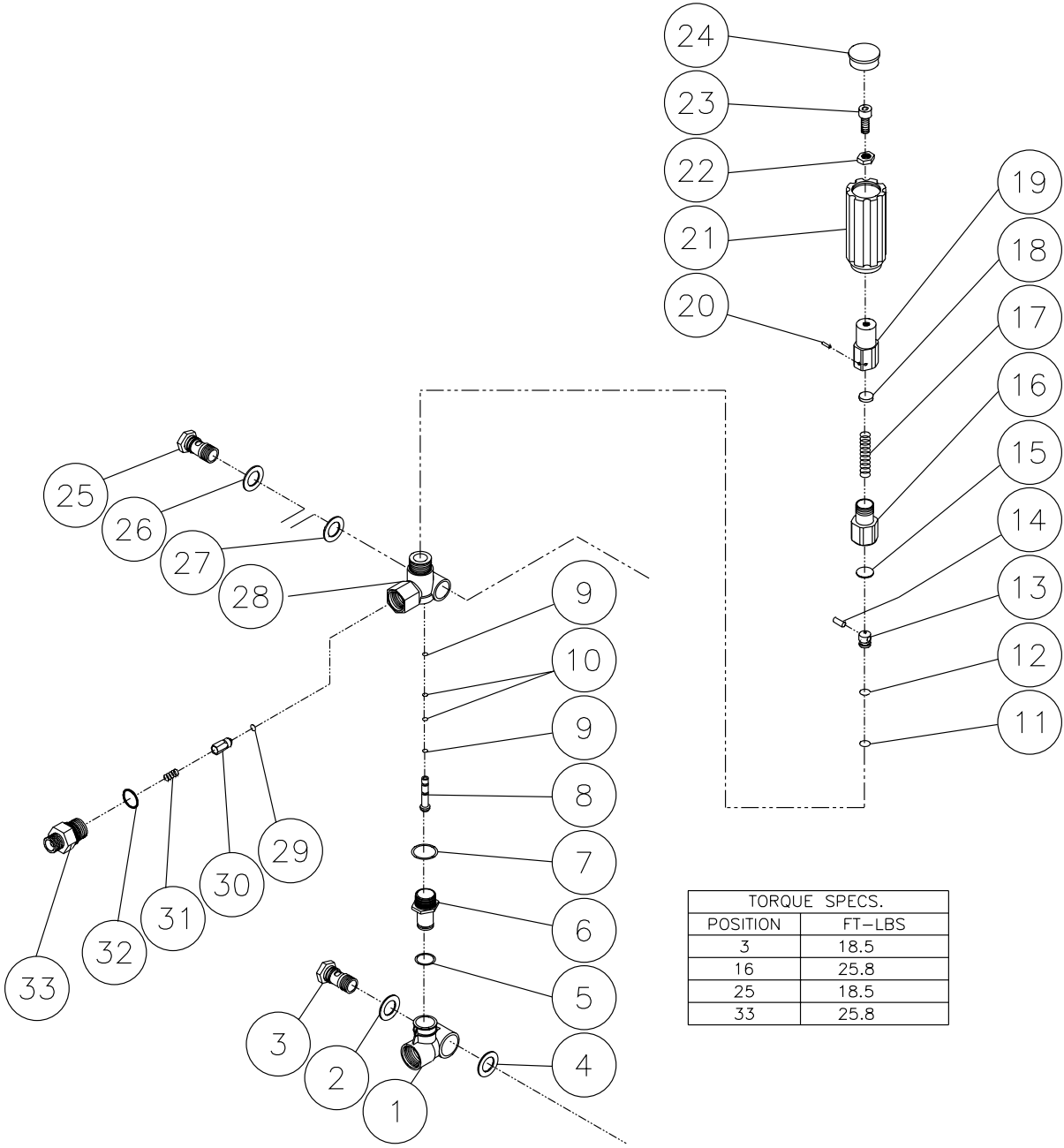
TORQUE SPECS.	
POSITION	FT-LBS
1	18
10	4
25	7,4
27	18
47	25,8
56	18,5
63	18,5
75	2,9
87	40
88	11,1
90	18,0

3-0206-082302-RD



PUMP ASSEMBLY (3-0206)											
REF. #	DESCRIPTION	PART #	QTY.	REF. #	DESCRIPTION	PART #	QTY.	REF. #	DESCRIPTION	PART #	QTY.
1	Bolt	27-8434	4	34	O-ring	25-0384	3	69	Spring	49-0123	1
2	Flange	38-0059	1	35	Low Pressure Seal (See 70-0177)	N/A Sep.	3	70	O-ring	25-0372	1
3	Shaftcover	46-0713	1	36	Packing Retainer	46-0708	3	71	Tightener Nut	8-0497	1
4	Oil Seal	26-0194	1	37	V-Packing (See 70-0177)	N/A Sep.	3	72	Injector Adapter	8-0498	1
5	O-ring	25-0397	1	38	Support Ring (See 70-0178)	N/A Sep.	3	73	Detergent Injector Spring (See 70-0196)	N/A Sep.	1
6	Bearing	48-0062	1	39	Cap	7-0142	1	74	Ball (See 70-0196)	N/A Sep.	1
7	Crankshaft	46-0920	1	40	Bolt	27-8433	1	75	Barb	8-0499	1
8	Plug	39-0102	1	41	Nut	30-3025	1	76	O-ring (See 70-0196)	N/A Sep.	1
9	O-ring	25-0325	3	42	Unloader Knob	7-0141	1	77	O-ring (See 70-0196)	N/A Sep.	1
10	Bolt	27-8401	6	43	Pin	8-0477	1	78	Adjustable Detergent Knob	7-0152	1
11	Crankcase Cover (Inc. 8-9, 12-15)	46-0719	1	44	Adjustment Barrel	8-0476	1	79	Snap Ring (See 70-0196)	N/A Sep.	1
12	O-ring	25-0370	1	45	Spring Button	8-0475	1	80	Single Valve Assembly (Inc. 82-85) (See 70-0319)	N/A Sep.	6
13	Oil Sight Glass	46-0670	1	46	Spring	49-0132	1	81	O-ring	25-0386	6
14	Reflector	46-0824	1	47	Guide Spring	8-0474	1	82	Valve Seat (See 70-0319)	N/A Sep.	6
15	Retainer	46-0671	1	48	Spring Button	8-0445	1	83	Valve Plate (See 70-0319)	N/A Sep.	6
16	O-ring	25-0398	1	49	Pin	8-0444	1	84	Valve Spring (See 70-0319)	N/A Sep.	6
17	Connecting Rod- Aluminum	46-0896	3	50	Poppet	8-0443	1	85	Valve Cage (See 70-0319)	N/A Sep.	6
-	Connecting Rod- Bronze	46-0922	3	51	Back-up Ring (See 8-0456)	N/A Sep.	1	86	O-ring	25-0160	6
18	Piston Pin	46-0698	3	52	O-ring (See 8-0456)	N/A Sep.	1	87	Valve Cap	39-0095	6
19	Plunger Rod	46-0699	3	53	Unloader Body	8-0451	1	88	Plug	39-0096	2
20	Washer	46-0700	3	54	Washer	8-0449	1	89	O-ring	25-0387	2
21	Back-up Ring	25-0404	3	55	Washer	8-0450	1	90	Bolt	27-8440	8
22	O-ring	25-0382	3	56	Adapter (See 8-0456)	N/A Sep.	1	91	Lockwasher	29-0154	8
23	Piston	46-0701	3	57	Back-up Ring	25-0395	2	92	O-ring	25-0372	1
24	Gasket	26-0191	3	58	O-ring	25-0371	3	93	Plug	39-0088	1
25	Nut	30-6020	3	59	Piston	8-0442	1	94	Manifold	46-0711	1
26	Oil Dipstick	39-0090	1	60	O-ring	25-0389	1		Oil Seal Kit (Inc. 4, 5, 16, 30, 33)	70-0337	
27	Bolt	27-8884	4	61	Nipple	8-0441	1		High Pressure Seals Kit (Inc. 3 each 34-35, 37)	70-0177	
28	Support Bearing Cap	46-0703	1	62	O-ring (See 70-0180)	N/A Sep.	1		Support Rings Kit (Inc. 3 each 38)	70-0178	
29	Shim- 0.1mm (Qty. Varies 1-3)	46-0704	-	63	Adapter	8-0438	1		Valve Kit (Inc. 6 each 81-85)	70-0319	
-	Shim- 0.2mm (Qty. Varies 1-3)	46-0705	-	64	Washer	8-0439	1		Unloader Kit (Includes 39-69)	8-0456	
30	O-ring	25-0380	1	65	Inlet Bypass Adapter	8-0437	1		Unloader Repair Kit (Inc. 51-52, 57-58, 60, 62)	70-0180	
31	Bearing	48-0072	1	66	Washer	8-0440	1		Injector Kit (Inc. 70-79)	70-0196	
32	Crankcase	46-0811	1	67	O-ring	25-0437	1		Piston Kit (Inc. 3 each 20-25)	70-0352	
33	Oil Seal	46-0931	3	68	Check Valve	8-0454	1				

# UNLOADER ASSEMBLY (8-0456)

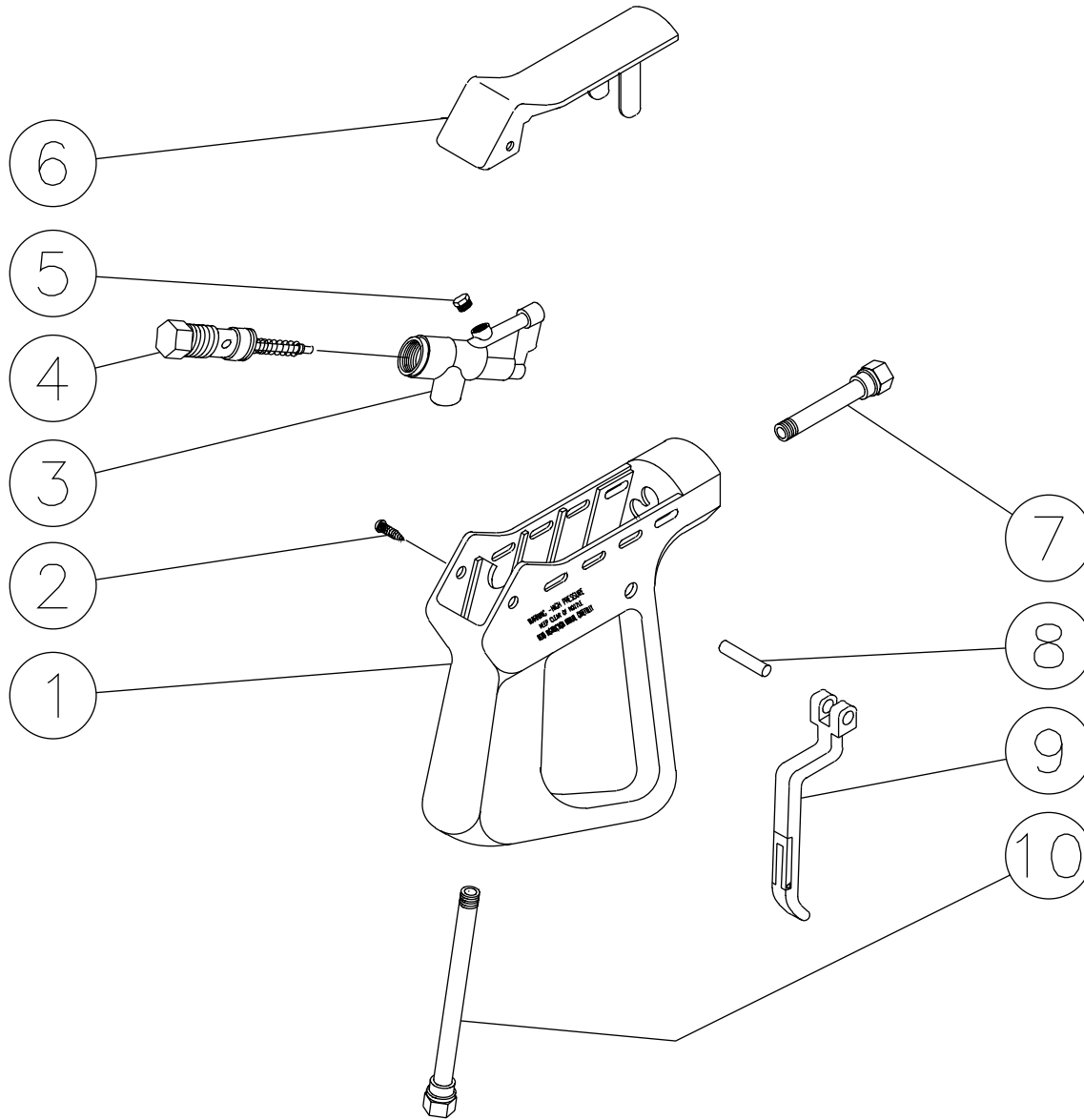


TORQUE SPECS.	
POSITION	FT-LBS
3	18.5
16	25.8
25	18.5
33	25.8

8-0456-051700-RD

UNLOADER ASSEMBLY (8-0456)								
REF. #	DESCRIPTION	PART #	QTY.		REF. #	DESCRIPTION	PART #	QTY.
1	Inlet Bypass Adapter	8-0437	1		18	Spring Button	8-0475	1
2	Washer	8-0440	1		19	Adjustment Barrel	8-0476	1
3	Adapter	8-0438	1		20	Pin	8-0477	1
4	Washer	8-0439	1		21	Unloader Knob	7-0141	1
5	O-ring (See 70-0180)	N/A Sep.	1		22	Nut	30-3025	1
6	Nipple	8-0441	1		23	Bolt	27-8433	1
7	O-ring (See 70-0180)	N/A Sep.	1		24	Cap	7-0142	1
8	Piston	8-0442	1		25	Adapter	8-0448	1
9	Back-up Ring (See 70-0180)	N/A Sep.	2		26	Washer	8-0449	1
10	O-ring	25-0371	5		27	Washer	8-0450	1
11	O-ring (See 70-0180)	N/A Sep.	1		28	Unloader Body	8-0451	1
12	Back-up Ring (See 70-0180)	N/A Sep.	1		29	O-ring	25-0391	1
13	Poppet	8-0443	1		30	Check Valve	8-0454	1
14	Pin	8-0444	1		31	Spring	49-0123	1
15	Spring Button	8-0445	1		32	O-ring	25-0372	1
16	Spring Guide	8-0474	1		33	Adapter Nipple	24-0159	1
17	Spring	49-0132	1			Unloader Repair Kit (Inc. 5, 7, 10-12, 29)	70-0180	

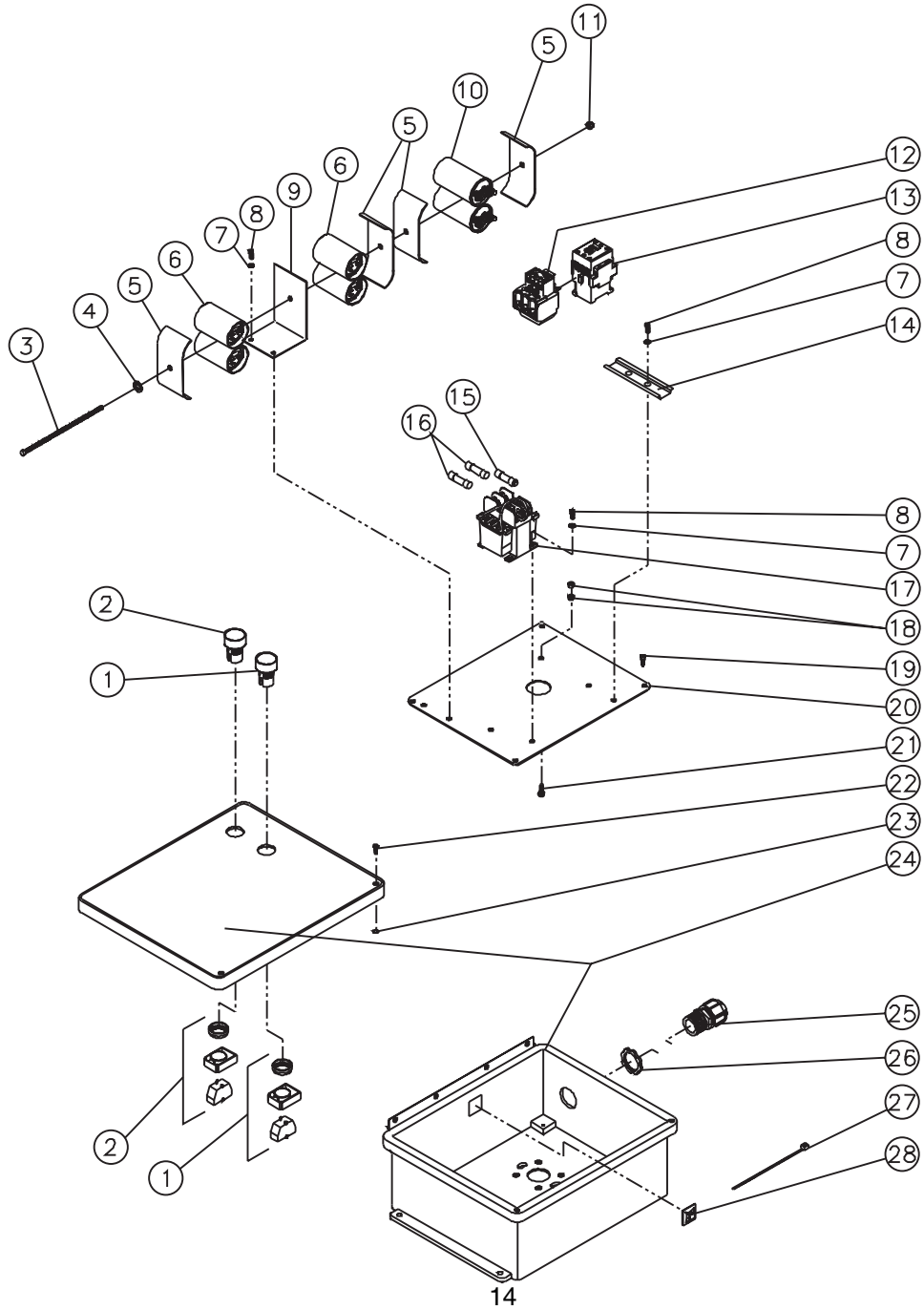
# GUN ASSEMBLY (16-0001)



16-0001-110399-RD

<b>GUN ASSEMBLY (16-0001)</b>			
<b>REF. #</b>	<b>DESCRIPTION</b>	<b>PART #</b>	<b>QTY.</b>
1	Plastic Housing	16-0008	1
2	Screw	27-3230	2
3	Brass Housing	16-0012	1
4	Gun Repair Kit	70-0055	1
5	Brass Plug	39-0024	1
6	Plastic Cover	16-0009	1
7	Pipe Assembly	16-0013	1
8	Trigger Pin	16-0063	1
9	Trigger/Safety Lock-off	16-0010	1
10	Pipe Assembly- Inlet	16-0016	1
	Complete Gun Assembly	16-0001	1

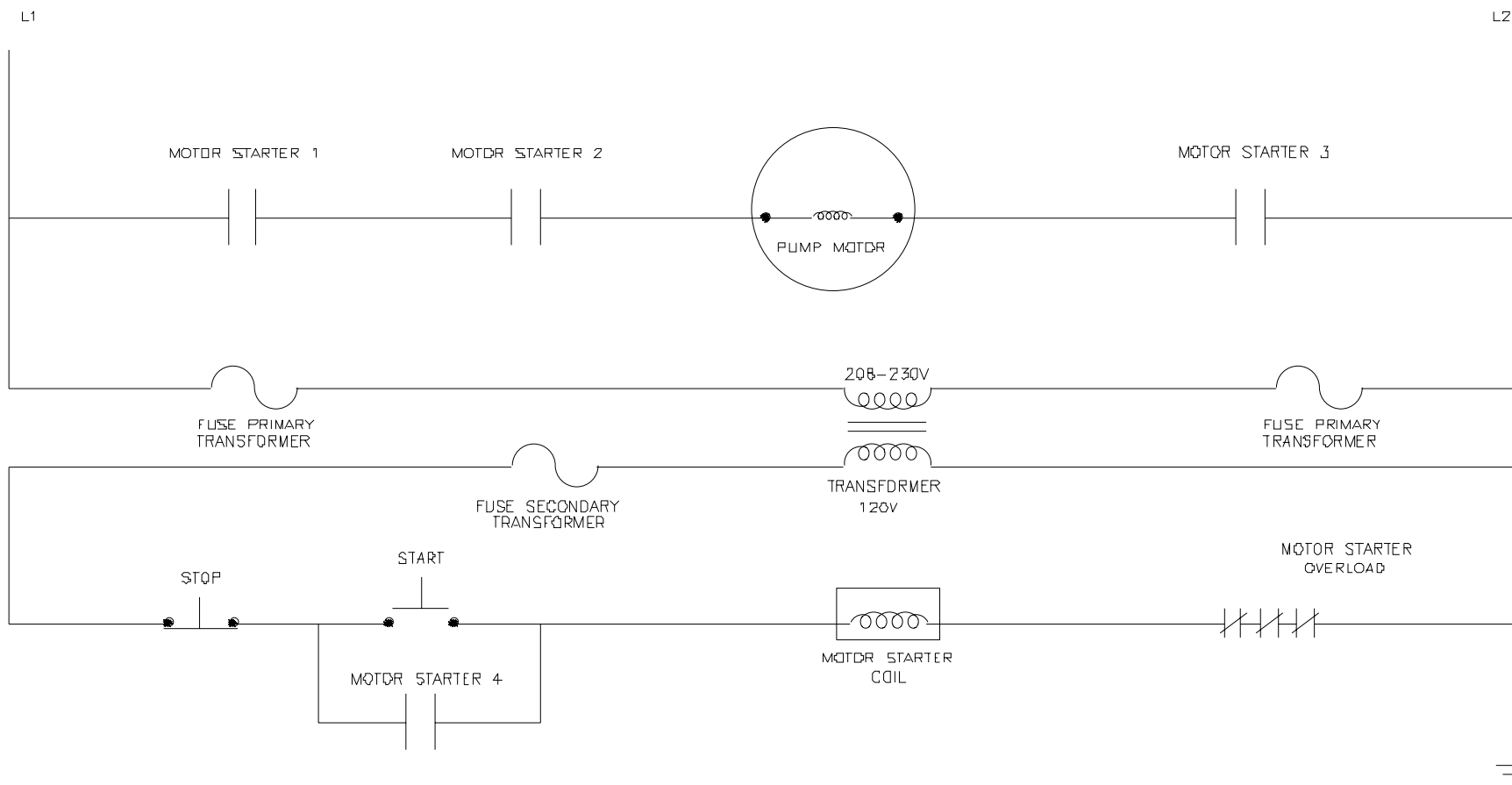
# CONTROL BOX ASSEMBLY FOR JP-2503-0ME1 (230 VOLT)



JP-2503/3004-0ME1-041802-KZ

CONTROL BOX ASSEMBLY FOR JP-2503-0ME1 (230 VOLT)							
REF #	DESCRIPTION	PART #	QTY	REF #	DESCRIPTION	PART #	QTY
1	Switch- Green	32-0534	1	16	Fuse- .5A	32-0467	2
2	Switch- Red	32-0610	1	17	Transformer	32-0313	1
3	Bolt	27-0759	1	18	Hex Nut	30-3022	2
4	Washer	28-0001	1	19	Screw w/Control Panel	27-8922	4
5	Capacitor Clamp	20-0467	2	20	Control Panel	20-0557A06	1
6	Capacitor/Start w/Motor	32-0516	2	21	Bolt	27-8898	1
7	Washer	28-0010	6	22	Screw (See 32-0683)	N/A Sep.	2
8	Bolt	27-8835	6	23	O-ring (See 32-0683)	N/A Sep.	2
9	Capacitor Bracket	20-0556A06	1	24	Control Panel	32-0683	1
10	Capacitor Run w/Motor	32-0518	2	25	Bushing	9-0046	1
11	Hex Nut	30-0154	1	26	Locknut	32-0292	1
12	Overload Relay	32-0484	1	27	Cable Tie	33-0022	1
13	Contactor	32-0478	1	28	Gripper Clip	33-0104	1
14	Din Rail *(One Foot Required)	32-0316	1	*Must Order in One Foot Lengths			
15	Fuse- .6A	32-0471	1				

# WIRING SCHEMATIC FOR JP-2503-0ME1 (230 VOLT)

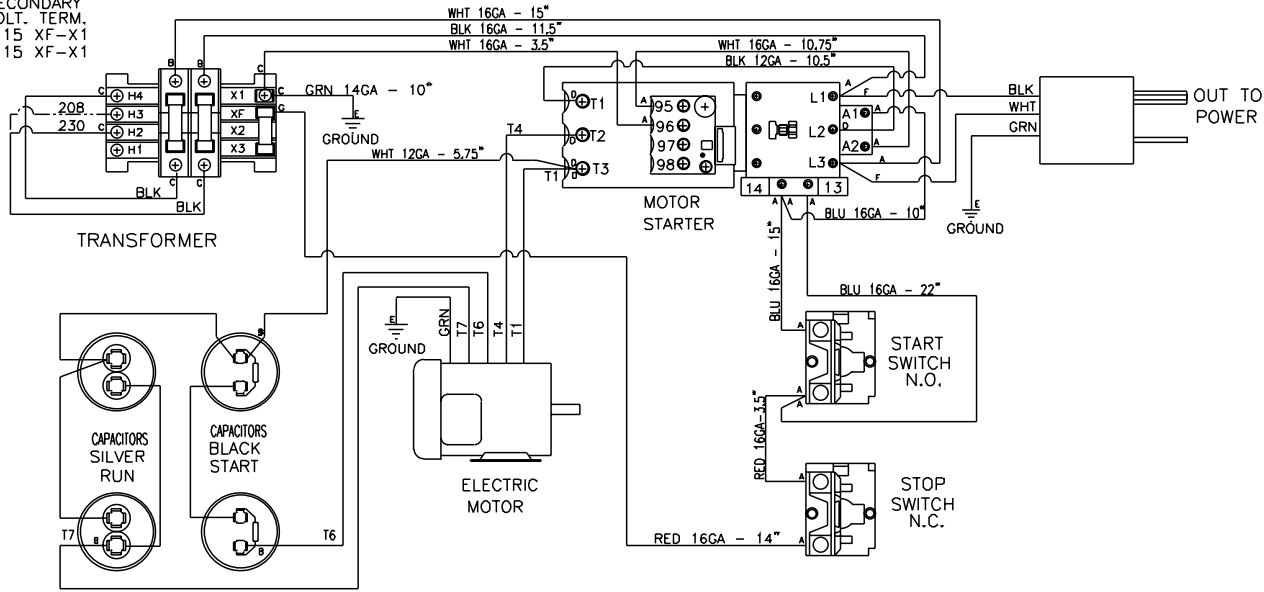


JP-WD-0001S-041700-GJH

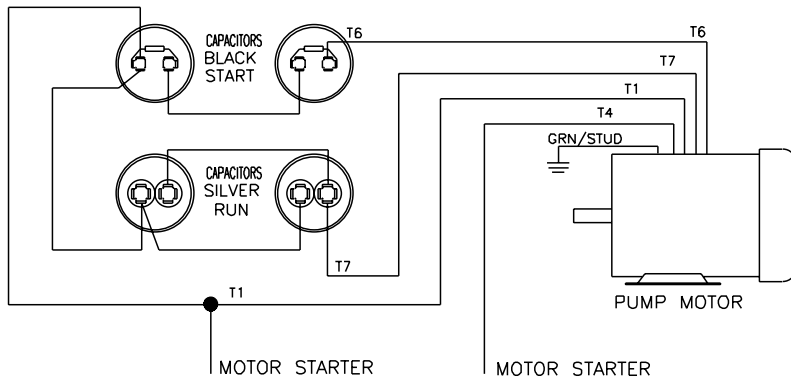


## WIRING DIAGRAM FOR JP-2503-0ME1 (230 VOLT)

PRIMARY	SECONDARY
VOLT. TERM.	VOLT. TERM.
208 H4-H3	115 XF-X1
230 H4-H2	115 XF-X1



JP-WD-0001-041700-GJH

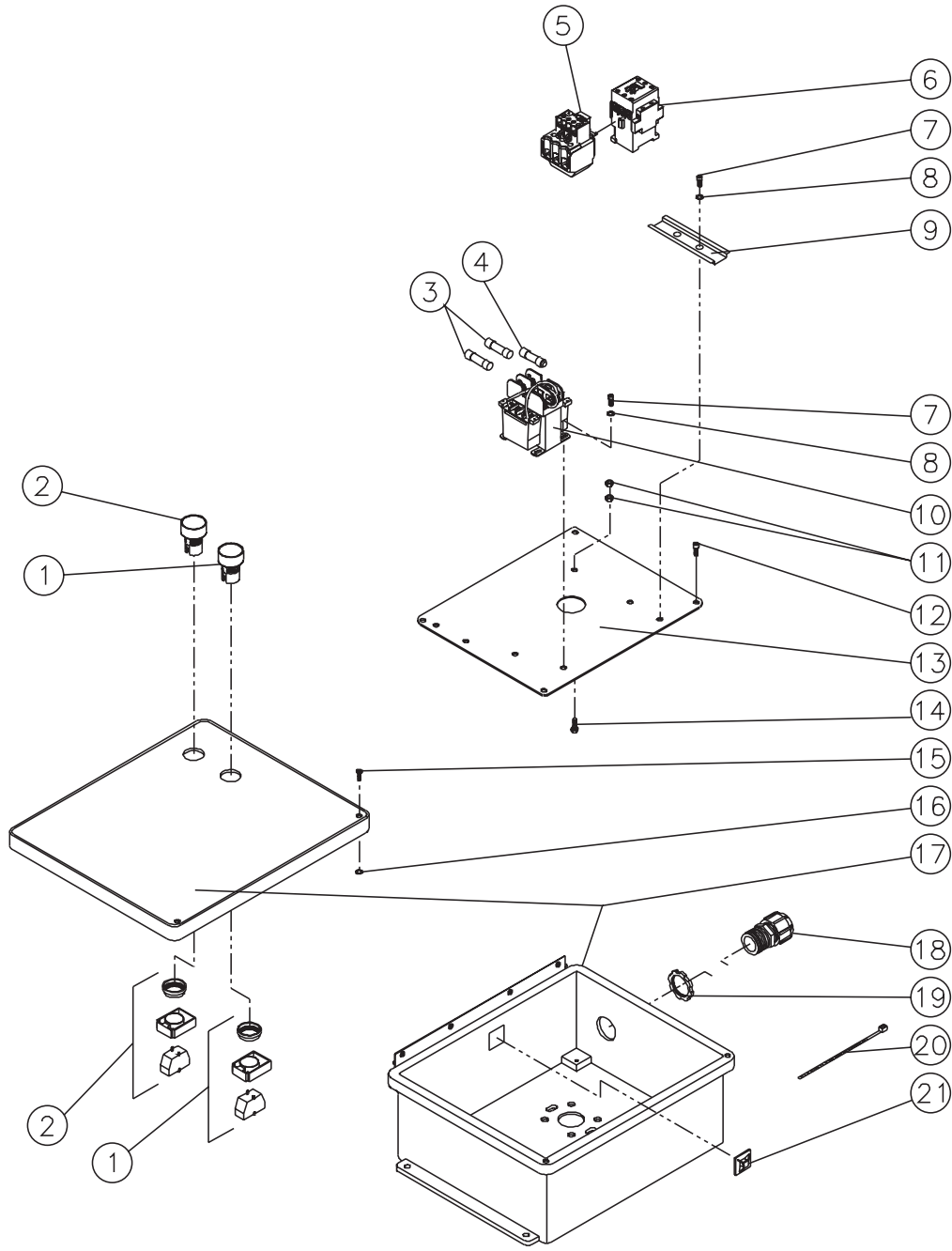


### WIRING DIAGRAM

REF. #	DESCRIPTION	PART #	QTY.
A	Terminal Insulated- Black	32-0494	14
B	Terminal Flag Female	32-0492	5
C	Terminal Fork	32-0003	6
D	Terminal Insulated- Gray	32-0496	5
E	Terminal Ring	32-0004	3
F	Terminal Insulated- Yellow	32-0497	2
G	Terminal Fullin	32-0221	1

JP-WD-00012503D-041700-GJH

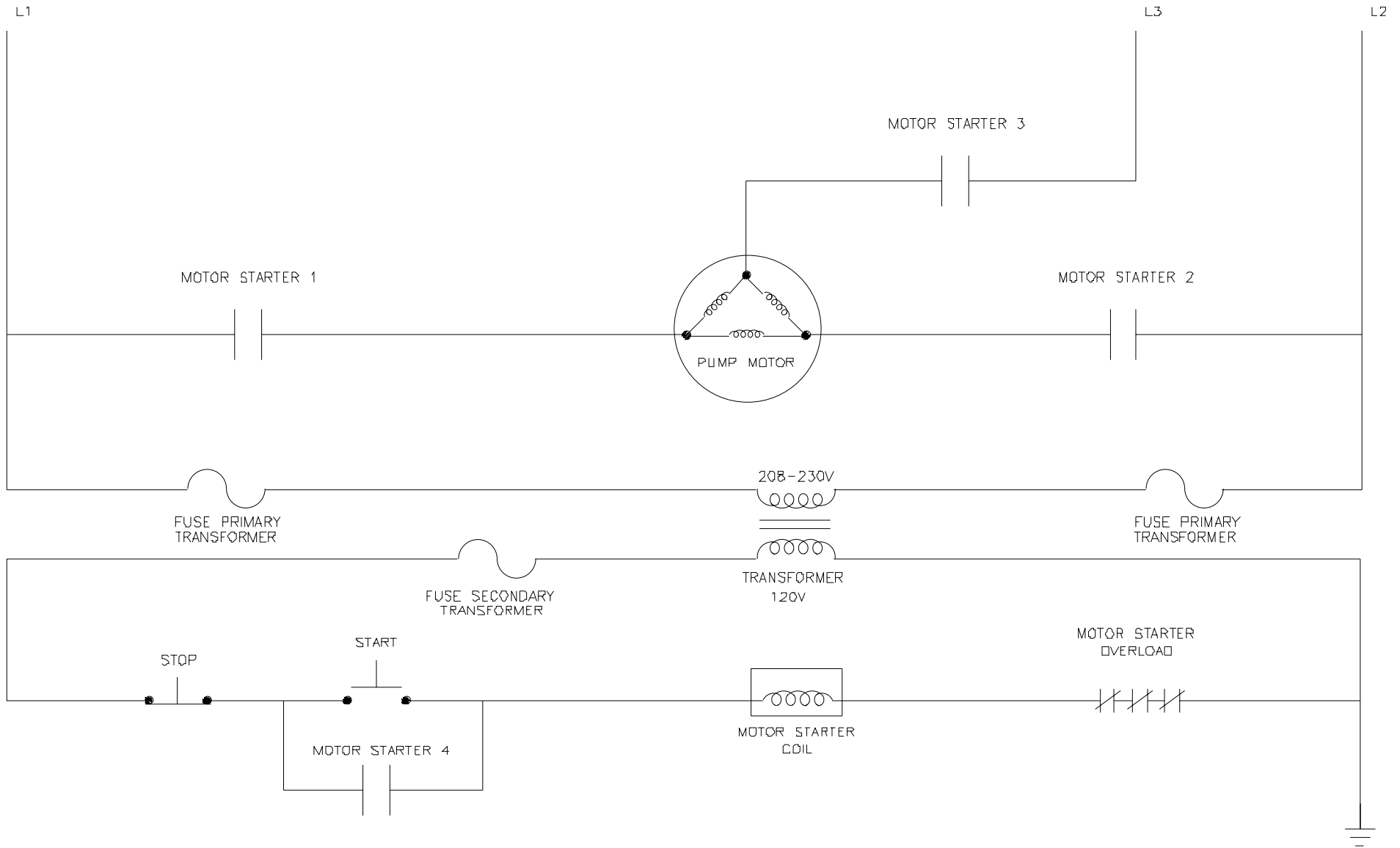
# CONTROL BOX ASSEMBLY FOR JP-2503-0ME3 (230 VOLT)



JP-2503/3004-0ME3-041802-KZ

CONTROL BOX ASSEMBLY FOR JP-2503-0ME3 (230 VOLT)							
REF #	DESCRIPTION	PART #	QTY	REF #	DESCRIPTION	PART #	QTY
1	Switch- Green	32-0534	1	12	Screw	27-8922	4
2	Switch- Red	32-0610	1	13	Control Panel	20-0557A06	1
3	Fuse- .5A	32-0467	2	14	Bolt	27-8898	1
4	Fuse- .6A	32-0471	1	15	Screw (See 32-0683)	N/A Sep.	2
5	Overload Relay	32-0483	1	16	O-ring (See 32-0683)	N/A Sep.	2
6	Contacto	32-0477	1	17	Control Panel	32-0683	1
7	Bolt	27-8835	4	18	Bushing	9-0046	1
8	Washer	28-0010	4	19	Locknut	32-0292	1
9	Din Rail *(One Foot Required)	32-0316	1	20	Cable Tie	33-0022	1
10	Transformer	32-0313	1	21	Gripper Clip	33-0104	1
11	Hex Nut	30-3022	1	*Must Order in One Foot Lengths			

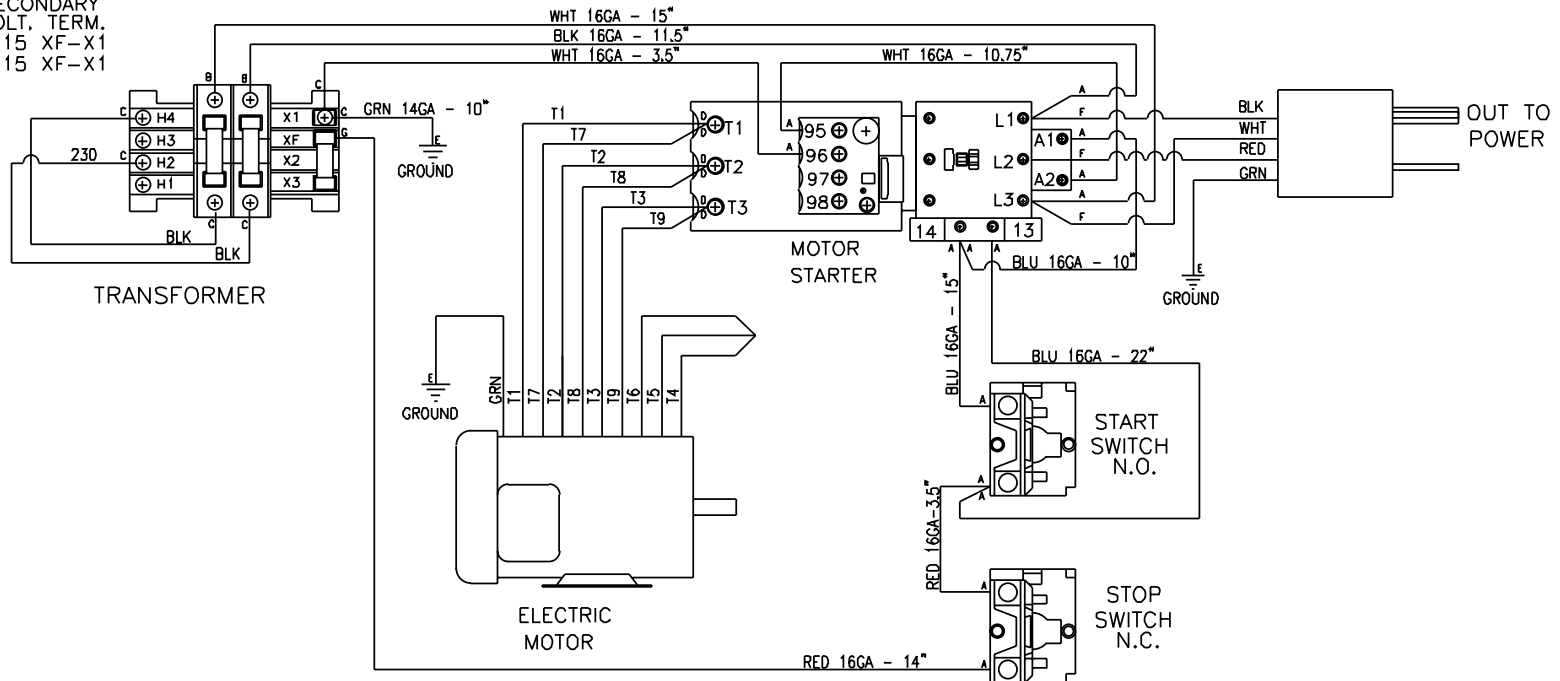
# WIRING SCHEMATIC FOR JP-2503-0ME3 (230 VOLT)



JP-WD-0002S-041700-GJH

## WIRING DIAGRAM FOR JP-2503-0ME3 (230 VOLT)

PRIMARY	SECONDARY
VOLT. TERM.	VOLT. TERM.
208 H4-H3	115 XF-X1
230 H4-H2	115 XF-X1



JP-WD-0002-041700-GJH

WIRING DIAGRAM			
REF. #	DESCRIPTION	PART #	QTY.
A	Terminal Insulated- Black	32-0494	14
B	Terminal Flag Female	32-0492	2
C	Terminal Fork	32-0003	6
D	Terminal Insulated- Gray	32-0496	6
E	Terminal Ring	32-0004	3
F	Terminal Insulated- Yellow	32-0497	3
G	Terminal Fullin	32-0221	1

JP-WD-0002D-041700-GJH

---

NOTES

---

**NOTES**

