

THE **JOB PRO**[®] by **Mi-T-M**[®]

8650 Enterprise Drive, Peosta IA 52068
563-556-7484 / Fax 563-556-1235

PARTS LIST FOR

JP-2703-0MIB (AFTER SERIAL #10010630)

JP-2703-0MHB (AFTER SERIAL #10009298)

ENGINE OIL GRADE:
INTEK I/C:

Above 40°F=SAE30
Below 40°F=SAE10W-30
SAE10W-30

HONDA:
ENGINE OIL CAPACITY:
PUMP OIL GRADE:
PUMP OIL CAPACITY:
NOZZLE SIZE:

20 oz.
Mi-T-M PUMP OIL #AW-4085-0016
14 oz.
3.0

This Parts Listing has been compiled for your benefit. You can be assured your Mi-T-M Cold Water Pressure Washer was constructed and designed with quality and performance in mind using over 25 years experience in the pressure washer business. Each component has been rigorously tested to insure the highest level of acceptance.

The contents of this Parts Listing are based on the latest product information available at the time of publication. Mi-T-M reserves the right to make changes in price, color, materials, equipment, specifications or models at any time without notice.

WARNING

THIS IS A PROFESSIONAL HIGH PRESSURE, COLD WATER PRESSURE WASHER. CAUTION SHOULD BE OBSERVED WHEN USING OR REPAIRING THIS UNIT! READ AND FOLLOW THE SAFETY WARNINGS LISTED BELOW BEFORE ATTEMPTING ANY REPAIRS ON THIS PRESSURE WASHER!

SAFETY WARNINGS

1. NEVER alter or modify the equipment. Be sure any accessory items and system components being used will withstand the pressure developed. Use only genuine Mi-T-M parts for repair of your pressure washer. Failure to do so can cause hazardous operating conditions and will VOID warranty.
2. NEVER make adjustments on machinery while the unit is connected to the engine without first removing the ignition cable from the spark plug. Turning over the machinery by hand during adjustment or cleaning might start the engine and machinery with it, causing serious injury to the operator.
3. Know how to stop and bleed pressures quickly. Be thoroughly familiar with controls.
4. Before servicing the unit, turn unit off, relieve the water pressure and allow the unit to cool down. Do not make repairs while the unit is running. Service in a clean, dry, flat area. Block the wheels to prevent the unit from moving. Be especially careful to properly dispose of any flammable materials.
5. After testing the machine, DO NOT leave the pressurized unit unattended. Shut off the unit and release trapped pressure before leaving.

Table of Contents

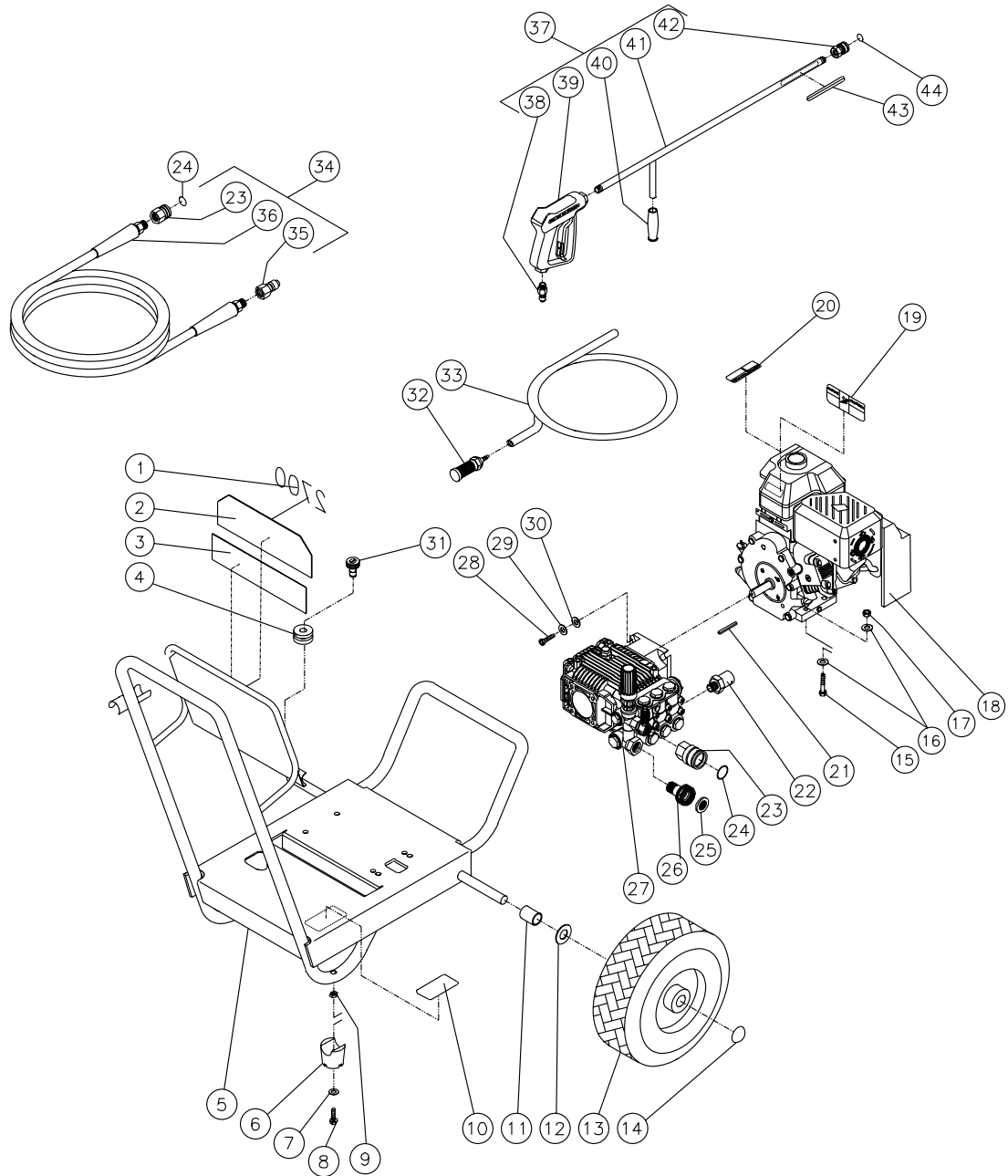
SPECIFICATIONS	3
FRAME ASSEMBLY FOR JP-2703-0MIB	4
FRAME ASSEMBLY FOR JP-2703-0MHB	6
PUMP ASSEMBLY (3-0146)	8
GUN ASSEMBLY (16-0001)	10

SPECIFICATIONS

JP-2703-0MIB/0MHB

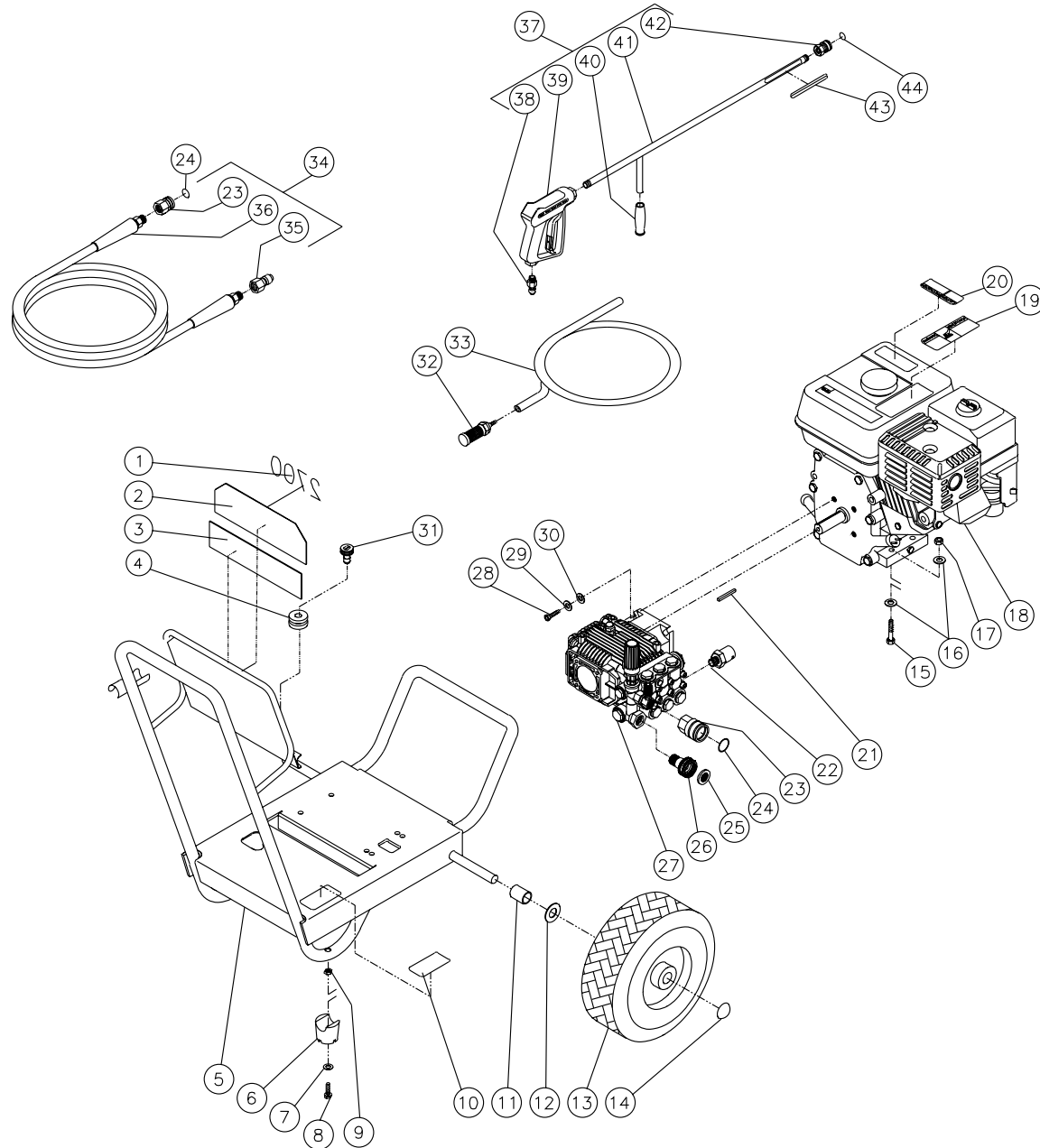
MODEL NUMBER	JP-2703-0MIB	JP-2703-0MHB
Operating Pressure (PSI/Bar):	2700/186	
High Pressure Nozzle:	3.0	
Water Volume (GPM/lpm):	2.4/9	
Engine:	Intek I/C	Honda
Horsepower	6.5	
Engine Type	4 Stroke, Overhead Valve, Single Cylinder	
Oil Type	Above 40 F=SAE30/ Below 40 F=SAE10W-30	SAE10W-30
Oil Capacity (oz./liters)	20/6	
Low Oil Protection	Oil Guard	Oil Alert
Fuel Type	Unleaded Gasoline 86 Octane Minimum	
Fuel Capacity (gallon/ liters)	.75/2.85	.95/3.6
Starting	Recoil	
Maximum No Load RPM	3600 (+/- 100) RPM	
Pump:	Direct Driven, Oil Bath, Triplex Piston	
Oil Type	Mi-T-M Pump Oil #AW-4085-0016	
Oil Capacity (oz./liters)	14/4	
Plungers	Ceramic	
Manifold	Forged Brass	
Valves	Stainless Steel	
Unloader	Adjustable	
Heat Dump Valve	Relieves heated water during unloader bypass stage	
Detergent Injector	Adjustable low pressure down stream from pump	
Unit Net Weight (lbs/Kg)	85/39	
Unit Shipping Weight (lbs/Kg)	112/51	
Unit Net Dimension (in/cm)	30Lx21Wx26H/76Lx53.5Wx66H	
Unit Shipping Dimension (in/cm)	39.5Lx25.5Wx32.5H/100Lx65Wx83H	

FRAME ASSEMBLY FOR JP-2703-0MIB



FRAME ASSEMBLY FOR JP-2703-0MIB							
REF. #	DESCRIPTION	PART #	QTY.	REF. #	DESCRIPTION	PART #	QTY.
1	Decal- 2700 Die Cut	34-0774	1	25	Filter	19-0001	1
2	Decal- Job Pro Placard	34-0778	1	26	Garden Hose Swivel	23-0095	1
3	Decal- Warning/Caution/Operating (E/S)	34-1244	1	27	Pump	3-0146	1
4	Grommet	33-0001	5	28	Bolt	27-0092	4
5	Frame	5-0123A01	1	29	Lockwasher	29-0007	4
6	Isolator	14-0066	2	30	Washer	28-0022	4
7	Washer	28-0021	2	31	Nozzle- 0003	18-0302	1
8	Bolt	27-0019	2	-	Nozzle- 1503	18-0150	1
9	Locknut	30-0155	2	-	Nozzle- 2503	18-0303	1
10	Decal- Data Plate	N/A	1	-	Nozzle- 6540	18-0148	1
11	Axle Spacer	20-0313A01	2	32	Detergent Strainer	19-0050	1
12	Washer	28-0008	5	33	Detergent Hose *(Four Feet Required)	15-0021	1
13	Wheel	14-0017	2	34	Pressure Hose Assembly (Inc. 23, 35, 36)	851-0007	1
14	Hubcap	33-0018	2	35	Quick Connect Plug	17-0006	1
15	Bolt	27-0070	4	36	Pressure Hose	15-0003	1
16	Washer	28-0003	8	37	Gun/Wand Assembly (Inc. 38-42)	851-0095	1
17	Locknut	30-0157	4	38	Quick Connect Plug	17-0005	1
18	Engine- 6.5 H.P. Intek I/C	1-0109	1	39	Gun	16-0001	1
19	Decal- Warning: Muffler is Hot (E/S)	34-0598	1	40	Grip Handle	7-0002	1
20	Decal- Caution: Allow to Cool (E/S)	34-0599	1	41	Wand	16-0120A01	1
21	Key	43-0073	1	42	Quick Connect Socket	17-0001	1
22	Heat Dump Valve	22-0005	1	43	Decal- Warning: Risk of Injection (E/S)	34-1253	1
23	Quick Connect Socket	17-0004	2	44	Decal- O-ring (Replacement Only)	25-0122	1
24	O-ring (Replacement Only)	25-0123	-	*Must Order in One Foot Lengths			

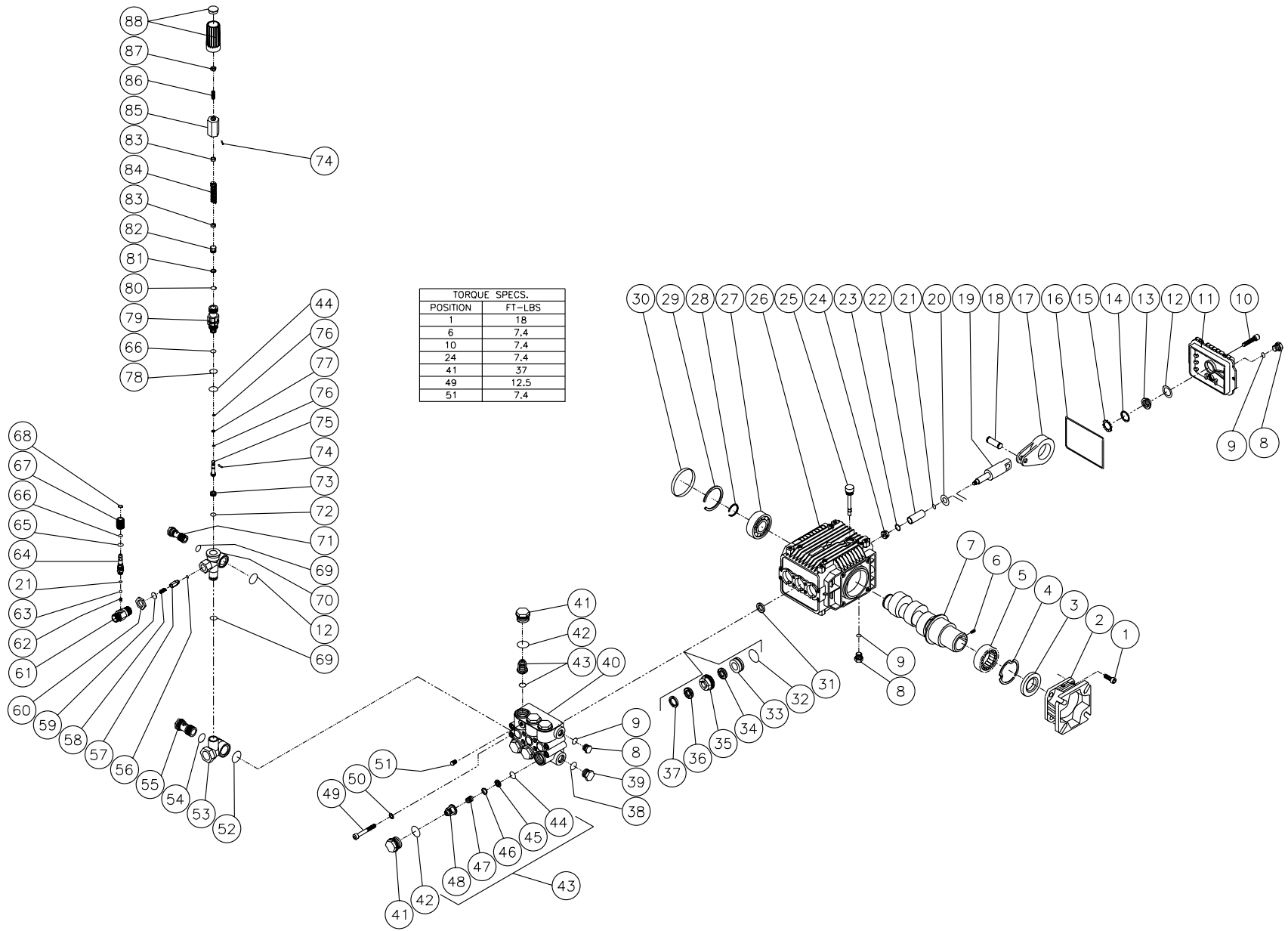
FRAME ASSEMBLY FOR JP-2703-0MHB



JP-2703-0MHB-013102-RD

FRAME ASSEMBLY FOR JP-2703-0MHB								
REF. #	DESCRIPTION	PART #	QTY.		REF. #	DESCRIPTION	PART #	QTY.
1	Decal- 2700 Die Cut	34-0774	1		25	Filter	19-0001	1
2	Decal- Job Pro Placard	34-0778	1		26	Garden Hose Swivel	23-0095	1
3	Decal- Warning/Caution/Operating (E/S)	34-1244	1		27	Pump	3-0146	1
4	Grommet	33-0001	5		28	Bolt	27-0092	4
5	Frame	5-0123A01	1		29	Lockwasher	29-0007	4
6	Isolator	14-0066	2		30	Washer	28-0022	4
7	Washer	28-0021	2		31	Nozzle- 0003	18-0302	1
8	Bolt	27-0019	2		-	Nozzle- 1503	18-0150	1
9	Locknut	30-0155	2		-	Nozzle- 2503	18-0303	1
10	Decal- Data Plate	N/A	1		-	Nozzle- 6540	18-0148	1
11	Axle Spacer	20-0313A01	2		32	Detergent Strainer	19-0050	1
12	Washer	28-0008	5		33	Detergent Hose *(Four Feet Required)	15-0021	1
13	Wheel	14-0017	2		34	Pressure Hose Assembly (Inc. 23, 35, 36)	851-0007	1
14	Hubcap	33-0018	2		35	Quick Connect Plug	17-0006	1
15	Bolt	27-0070	4		36	Pressure Hose	15-0003	1
16	Washer	28-0003	8		37	Gun/Wand Assembly (Inc. 38-42)	851-0095	1
17	Locknut	30-0157	4		38	Quick Connect Plug	17-0005	1
18	Engine- 6.5 H.P. Honda	1-0088	1		39	Gun	16-0001	1
19	Decal- Warning: Muffler is Hot (E/S)	34-0598	1		40	Grip Handle	7-0002	1
20	Decal- Caution: Allow to Cool (E/S)	34-0599	1		41	Wand	16-0120A01	1
21	Key	43-0073	1		42	Quick Connect Socket	17-0001	1
22	Heat Dump Valve	22-0005	1		43	Decal- Warning: Risk of Injection (E/S)	34-1253	1
23	Quick Connect Socket	17-0004	2		44	O-ring (Replacement Only)	25-0122	-
24	O-ring (Replacement Only)	25-0123	-		*Must Order in One Foot Lengths			

PUMP ASSEMBLY (3-0146)

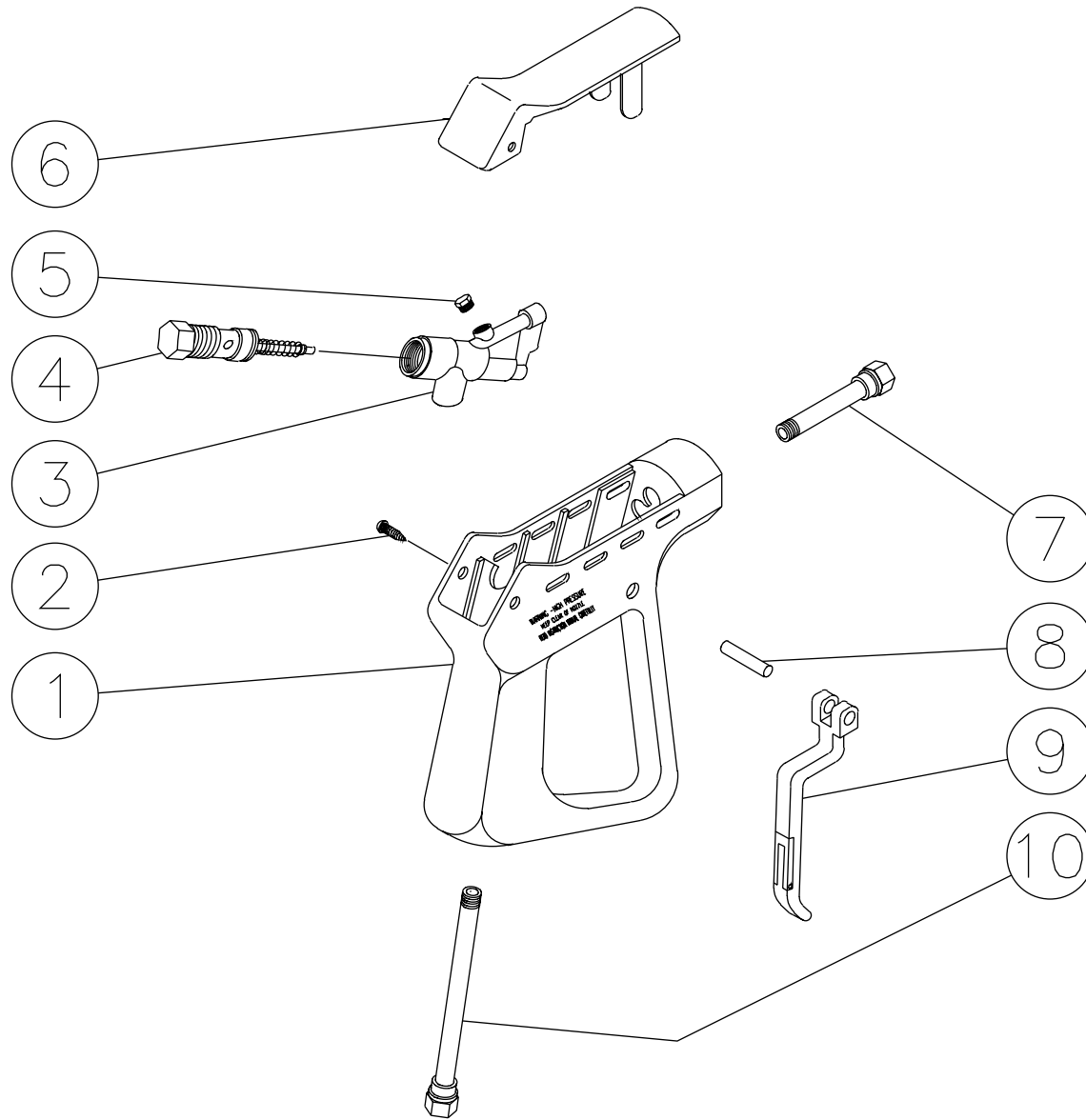


3-0146-073101-EDW

PUMP ASSEMBLY (3-0146)

REF. #	DESCRIPTION	PART #	QTY.	REF. #	DESCRIPTION	PART #	QTY.	REF. #	DESCRIPTION	PART #	QTY.
1	Bolt	27-8432	4	33	Low Pressure Retainer	46-0726	3	65	O-ring (See 8-0515)	N/A Sep.	1
2	Flange	46-0715	1	34	Low Pressure Seal (See 70-0181)	N/A Sep.	3	66	O-ring (See 8-0515)	N/A Sep.	1
3	Oil Seal	26-0192	1	35	Packing Retainer	46-0728	3	67	Detergent Regulator Knob (See 8-0515)	N/A Sep.	1
4	Retaining Ring	46-0667	1	36	V-Packing (See 70-0181)	N/A Sep.	3	68	O-ring (See 8-0515)	N/A Sep.	1
5	Needle Bearing	48-0059	1	37	Support Ring (See 70-0182)	N/A Sep.	3	69	O-ring	25-0338	2
6	Set Screw	27-8886	1	38	O-ring	25-0372	1	70	Valve Housing (See 8-0515)	N/A Sep.	1
7	Crankshaft	46-0718	1	39	Plug	39-0088	1	71	Bolt	8-0516	1
8	Plug	39-0086	3	40	Manifold	46-0730	1	72	O-ring (See 8-0515)	N/A Sep.	1
9	O-ring	25-0325	4	41	Valve Cap	39-0087	6	73	Valve Seat	8-0503	1
10	Bolt	27-8888	6	42	O-ring	25-0160	6	74	Pin	8-0477	2
11	Crankcase Cover	46-0719	1	43	Single Valve Assy. (Inc. 44-48) (See 70-0161)	N/A Sep.	6	75	Piston	8-0413	1
12	O-ring	25-0370	2	44	O-ring	25-0386	7	76	O-ring (See 8-0515)	N/A Sep.	2
13	Oil Sight Glass	46-0670	1	45	Valve Seat (See 70-0161)	N/A Sep.	6	77	Back-up Ring (See 8-0515)	N/A Sep.	1
14	Reflector	46-0824	1	46	Valve Plate (See 70-0161)	N/A Sep.	6	78	O-ring	25-0510	1
15	Retainer	46-0671	1	47	Valve Spring (See 70-0161)	N/A Sep.	6	79	Piston Guide	8-0502	1
16	O-ring	25-0398	1	48	Valve Cage (See 70-0161)	N/A Sep.	6	80	O-ring (See 8-0515)	N/A Sep.	1
17	Connecting Rod	46-0720	3	49	Bolt	27-8875	8	81	Back-up Ring	25-0404	1
18	Piston Pin	46-0721	3	50	Lockwasher	29-0153	8	82	Upper Piston (See 8-0515)	N/A Sep.	1
19	Plunger Rod	46-0722	3	51	Plug	39-0097	1	83	Spring Button	8-0501	2
20	Slinger Washer	28-1027	3	52	O-ring	25-0519	1	84	Spring	49-0119	1
21	O-ring	25-0371	6	53	By-Pass Housing (See 8-0515)	N/A Sep.	1	85	Knob Insert	8-0500	1
22	Piston	46-0723	3	54	O-ring	25-0389	1	86	Set Screw (See 8-0515)	N/A Sep.	1
23	Washer	26-0187	3	55	Bolt	8-0517	1	87	Nut	30-6024	1
24	Nut	30-6016	3	56	O-ring	25-0406	1	88	Unloader Knob	7-0172	1
25	Oil Dipstick	39-0090	1	57	Check Valve	8-0518	1		High Pressure Seal Kit (Inc. 3 each 32, 34, 36)	70-0181	
26	Crankcase	46-0724	1	58	Unloader Check Valve Spring	49-0124	1		Support Ring Kit (Includes 3 each 37)	70-0182	
27	Bearing	48-0063	1	59	O-ring	25-0407	1		Valve Kit (Includes 6 each 44-48)	70-0161	
28	Retaining Ring	46-0732	1	60	Nut (See 8-0515)	N/A Sep.	1		Unloader Repair Kit (Inc. 12, 21, 44, 52, 56, 69, 72, 76, 77, 78, 80, 81)	70-0336	
29	Retaining Ring	46-0676	1	61	Detergent Injector Body (See 8-0515)	N/A Sep.	1		Unloader Complete (Inc. 12, 21, 44, 52-88)	8-0515	
30	Bearing Cap	46-0725	1	62	Spring	8-0520	1		Injector Complete (Inc. 21, 61-68)	70-0338	
31	Oil Seal	26-0193	3	63	Ball	8-0521	1				
32	O-ring	25-0399	3	64	Detergent Injector Hose Barb (See 8-0515)	N/A Sep.	1				

GUN ASSEMBLY (16-0001)



GUN ASSEMBLY (16-0001)			
REF. #	DESCRIPTION	PART #	QTY.
1	Plastic Housing	16-0008	1
2	Screw	27-3230	2
3	Brass Housing	16-0012	1
4	Gun Repair Kit	70-0055	1
5	Brass Plug	39-0024	1
6	Plastic Cover	16-0009	1
7	Pipe Assembly	16-0013	1
8	Trigger Pin	16-0063	1
9	Trigger/Safety Lock-off	16-0010	1
10	Pipe Assembly- Inlet	16-0016	1
	Complete Gun Assembly	16-0001	1

