

# THE **JOB PRO**<sup>®</sup> by **Mi-T-M**<sup>®</sup>

8650 Enterprise Drive, Peosta IA 52068  
563-556-7484 / Fax 563-556-1235

## **PARTS LIST FOR** ***JP-2804-0MHB***

<b>Engine Oil Grade:</b>	<b>SAE10W-30</b>
<b>Engine Oil Capacity:</b>	<b>37 oz.</b>
<b>Pump Oil Grade:</b>	<b>Mi-T-M Pump Oil #AW-4085-0016</b>
<b>Pump Oil Capacity:</b>	<b>14 oz.</b>
<b>Nozzle Size:</b>	<b>3.5</b>

This Parts Listing has been compiled for your benefit. You can be assured your Mi-T-M Cold Water Pressure Washer was constructed and designed with quality and performance in mind using over 25 years experience in the pressure washer business. Each component has been rigorously tested to insure the highest level of acceptance.

The contents of this Parts Listing are based on the latest product information available at the time of publication. Mi-T-M reserves the right to make changes in price, color, materials, equipment, specifications or models at any time without notice.

**WARNING**

THIS IS A PROFESSIONAL HIGH PRESSURE, COLD WATER PRESSURE WASHER. CAUTION SHOULD BE OBSERVED WHEN USING OR REPAIRING THIS UNIT! READ AND FOLLOW THE SAFETY WARNINGS LISTED BELOW BEFORE ATTEMPTING ANY REPAIRS ON THIS PRESSURE WASHER!

**SAFETY WARNINGS**

1. NEVER alter or modify the equipment. Be sure any accessory items and system components being used will withstand the pressure developed. Use only genuine Mi-T-M parts for repair of your pressure washer. Failure to do so can cause hazardous operating conditions and will VOID warranty.
2. NEVER make adjustments on machinery while the unit is connected to the engine without first removing the ignition cable from the spark plug. Turning over the machinery by hand during adjustment or cleaning might start the engine and machinery with it, causing serious injury to the operator.
3. Know how to stop and bleed pressures quickly. Be thoroughly familiar with controls.
4. Before servicing the unit, turn unit off, relieve the water pressure and allow the unit to cool down. Do not make repairs while the unit is running. Service in a clean, dry, flat area. Block the wheels to prevent the unit from moving. Be especially careful to properly dispose of any flammable materials.
5. After testing the machine, DO NOT leave the pressurized unit unattended. Shut off the unit and release trapped pressure before leaving.

**Table of Contents**

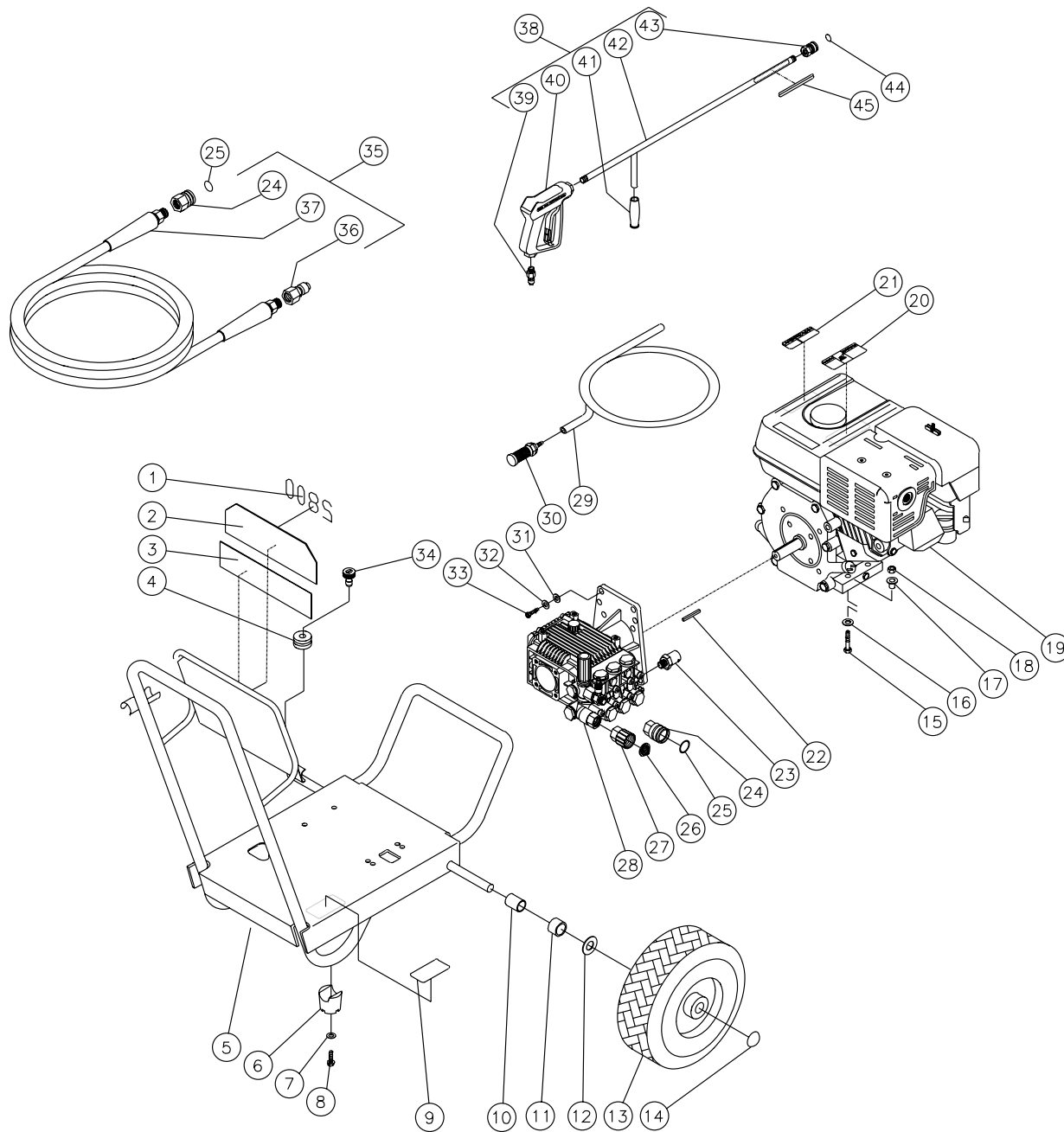
<b>SPECIFICATIONS</b> .....	<b>3</b>
<b>FRAME ASSEMBLY FOR JP-2804-0MHB</b> .....	<b>4</b>
<b>PUMP ASSEMBLY (3-0147)</b> .....	<b>6</b>
<b>UNLOADER ASSEMBLY (8-0456)</b> .....	<b>8</b>
<b>GUN ASSEMBLY (16-0001)</b> .....	<b>10</b>

## SPECIFICATIONS

JP-2804-0MHB

<b>MODEL NUMBER</b>	<b>JP-2804-0MHB</b>
<b>Operating Pressure (PSI/Bar):</b>	2800/193.1
<b>High Pressure Nozzle:</b>	3.5
<b>Water Volume (GPM/lpm):</b>	3.3/12.5
<b>Engine:</b>	Honda
Horsepower	9.0
Engine Type	4 Stroke, Overhead Valve, Single Cylinder
Oil Type	SAE10W-30
Oil Capacity (oz./liters)	37/1.1
Low Oil Protection	Oil Alert
Fuel Type	Unleaded Gasoline 86 Octane Minimum
Fuel Capacity (gallon/ liters)	1.6/6.0
Starting	Recoil
Maximum No Load RPM	3600 (+/- 100) RPM
<b>Pump:</b>	Direct Driven, Oil Bath, Triplex Piston
Oil Type	Mi-T-M Pump Oil #AW-4085-0016
Oil Capacity (oz./liters)	14/.4
Plungers	Ceramic
Manifold	Forged Brass
Valves	Stainless Steel
Unloader	Adjustable
Heat Dump Valve	Relieves heated water during unloader bypass stage
Detergent Injector	Adjustable low pressure down stream from pump
<b>Unit Net Weight (lbs/Kg)</b>	122/55.3
<b>Unit Shipping Weight (lbs/Kg)</b>	172/78.0
<b>Unit Net Dimension (in/cm)</b>	35Lx22.5Wx26H/89Lx57Wx66H
<b>Unit Shipping Dimension (in/cm)</b>	39.5Hx25.5Wx32.5H/100.5Lx65Wx83H

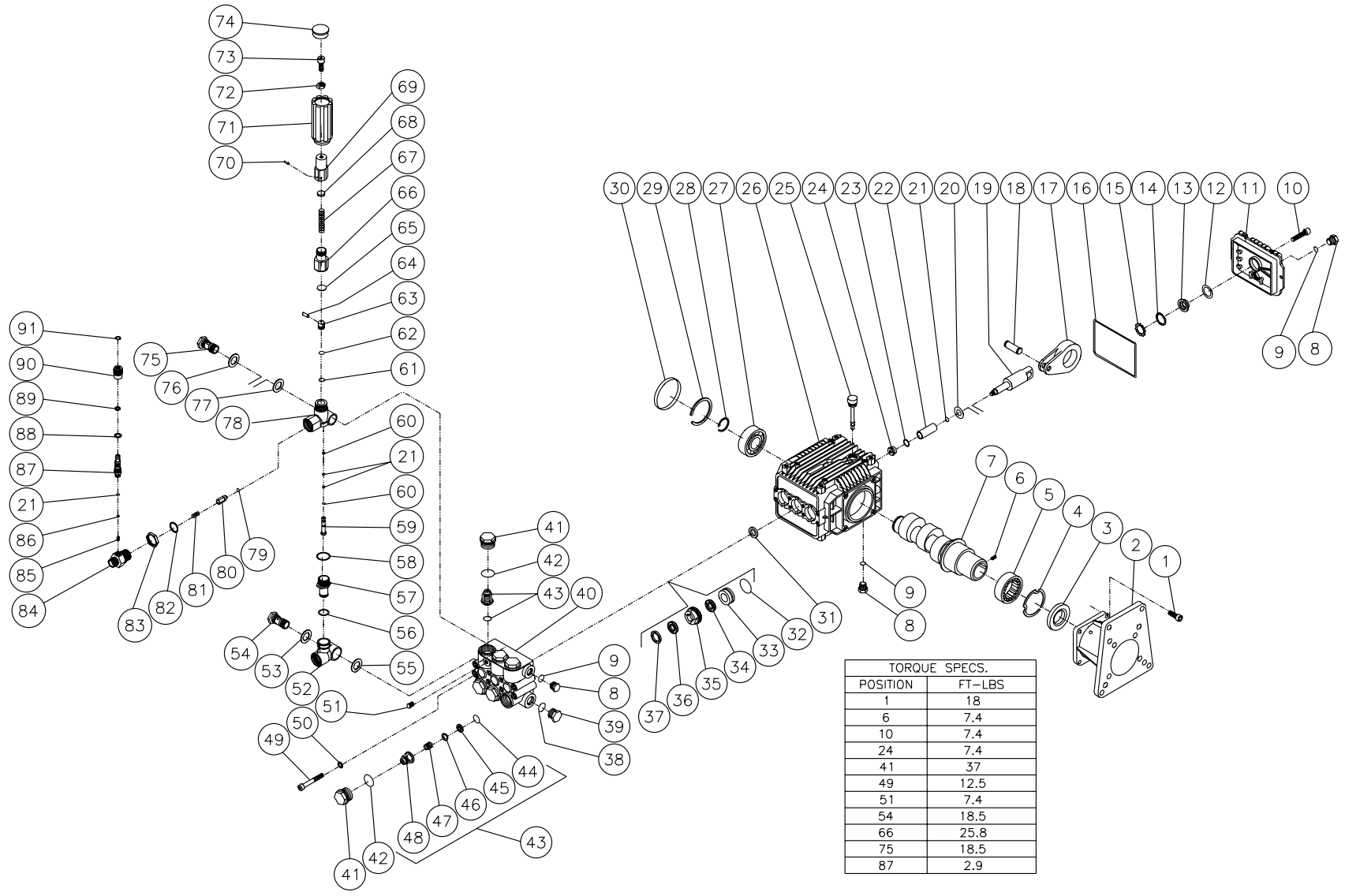
# FRAME ASSEMBLY FOR JP-2804-0MHB



JP-2804-0MHB-082401-DLG

FRAME ASSEMBLY FOR JP-2804-0MHB							
REF. #	DESCRIPTION	PART #	QTY.	REF. #	DESCRIPTION	PART #	QTY.
1	Decal- 2800 Die Cut	34-0846	1	26	Filter	19-0001	1
2	Decal- Job Pro Placard	34-0778	1	27	Garden Hose Swivel	23-0095	1
3	Decal- Warning/Caution/Operating (E/S)	34-1244	1	28	Pump	3-0147	1
4	Grommet	33-0001	5	29	Detergent Hose *(Four Feet Required)	15-0021	1
5	Frame	5-0124A01	1	30	Detergent Strainer	19-0050	1
6	Isolator	14-0066	2	31	Washer	28-0022	4
7	Washer	28-0021	2	32	Lockwasher	29-0008	4
8	Screw	27-3096	2	33	Bolt	27-0118	4
9	Decal- Data Plate	N/A	1	34	Nozzle- 0003.5	18-0257	1
10	Axle Spacer	20-0313A01	2	-	Nozzle- 1503.5	18-0258	1
11	Axle Spacer	20-0314A01	2	-	Nozzle- 2503.5	18-0259	1
12	Washer	28-0008	5	-	Nozzle- 6540	18-0148	1
13	Wheel	14-0017	2	35	Pressure Hose Assembly (Inc. 24, 36, 37)	851-0007	1
14	Hubcap	33-0018	2	36	Quick Connect Plug	17-0006	1
15	Bolt	27-0070	4	37	Pressure Hose	15-0004	1
16	Washer	28-0003	4	38	Gun/Wand Assembly (Inc. 39-43)	851-0095	1
17	Shim	33-0169	4	39	Quick Connect Plug	17-0005	1
18	Locknut	30-0157	4	40	Gun	16-0001	1
19	Engine- 9.0 H.P. Honda	1-0065	1	41	Grip Handle	7-0002	1
20	Decal- Warning: Muffler is Hot (E/S)	34-0598	1	42	Wand	16-0120A01	1
21	Decal- Caution: Allow to Cool (E/S)	34-0599	1	43	Quick Connect Socket	17-0001	1
22	Key	43-0078	1	44	O-ring (Replacement Only)	25-0122	-
23	Heat Dump Valve	22-0005	1	45	Decal- Warning: Risk of Injection (E/S)	34-1253	1
24	Quick Connect Socket	17-0004	2	*Must Order in One Foot Lengths			
25	O-ring (Replacement Only)	25-0123	-				

# PUMP ASSEMBLY (3-0147)

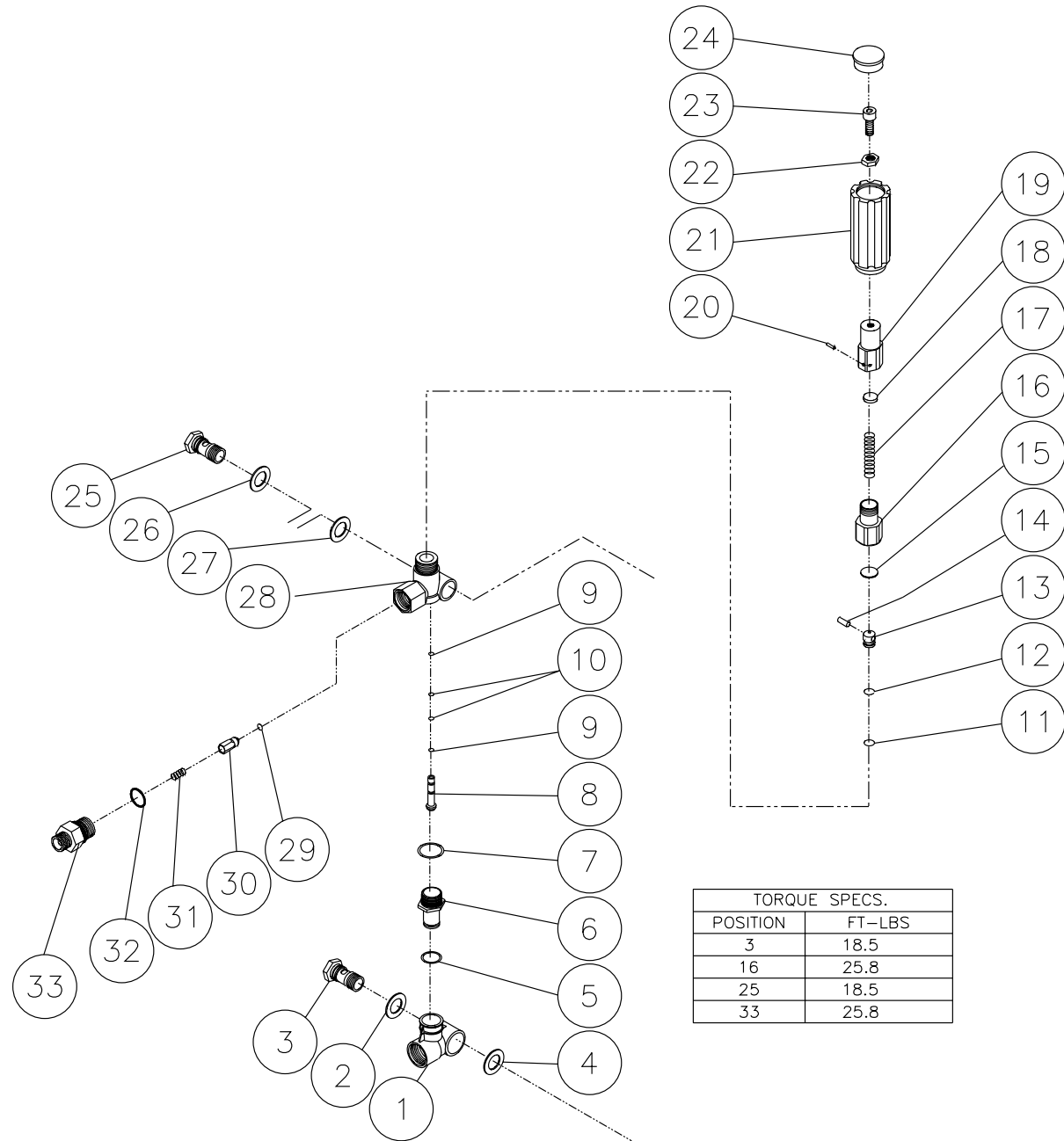


TORQUE SPECS.	
POSITION	FT-LBS
1	18
6	7.4
10	7.4
24	7.4
41	37
49	12.5
51	7.4
54	18.5
66	25.8
75	18.5
87	2.9

3-0147-070301-RD

PUMP ASSEMBLY (3-0147)											
REF. #	DESCRIPTION	PART #	QTY.	REF. #	DESCRIPTION	PART #	QTY.	REF. #	DESCRIPTION	PART #	QTY.
1	Bolt	27-8432	4	34	Low Pressure Seal (See 70-0181)	N/A Sep.	3	67	Spring	49-0132	1
2	Flange	46-0714	1	35	Packing Retainer	46-0728	3	68	Spring Button	8-0475	1
3	Oil Seal	26-0192	1	36	V-Packing (See 70-0181)	N/A Sep.	3	69	Adjustable Barrel	8-0476	1
4	Retaining Ring	46-0667	1	37	Support Ring (See 70-0182)	N/A Sep.	3	70	Pin	8-0477	1
5	Needle Bearing	48-0059	1	38	O-ring	25-0372	1	71	Unloader Knob	7-0141	1
6	Set Screw	27-8886	1	39	Plug	39-0088	1	72	Nut	30-3025	1
7	Crankshaft	46-0717	1	40	Manifold	46-0730	1	73	Bolt	27-8433	1
8	Plug	39-0086	3	41	Valve Cap	39-0087	6	74	Cap	7-0142	1
9	O-ring	25-0325	3	42	O-ring	25-0160	6	75	Adaptor	8-0448	1
10	Bolt	27-8888	6	43	Single Valve Assembly (Inc. 44-48) (See 70-0161)	N/A Sep.	6	76	Washer	8-0449	1
11	Crankcase Cover	46-0719	1	44	O-ring	25-0386	6	77	Washer	8-0450	1
12	O-ring	25-0370	1	45	Valve Seat (See 70-0161)	N/A Sep.	6	78	Unloader Body	8-0451	1
13	Oil Sight Glass	46-0670	1	46	Valve Plate (See 70-0161)	N/A Sep.	6	79	O-ring	25-0437	1
14	Reflector	46-0824	1	47	Valve Spring (See 70-0161)	N/A Sep.	6	80	Check Valve	8-0454	1
15	Retainer	46-0671	1	48	Valve Cage (See 70-0161)	N/A Sep.	6	81	Spring	49-0123	1
16	O-ring	25-0398	1	49	Head Bolt	27-8875	8	82	O-ring (See 70-0232)	25-0372	1
17	Connecting Rod	46-0720	3	50	Lockwasher	29-0153	8	83	Tightener Nut	8-0497	1
18	Piston Pin	46-0721	3	51	Plug	39-0097	1	84	Injector Adapter	8-0498	1
19	Plunger Rod	46-0722	3	52	Inlet By-Pass Adapter	8-0437	1	85	Spring (See 70-0232)	N/A Sep.	1
20	Washer	28-1027	3	53	Washer	8-0440	1	86	Ball (See 70-0232)	N/A Sep.	1
21	O-ring	25-0371	6	54	Adapter	8-0438	1	87	Barb	8-0499	1
22	Piston	46-0723	3	55	Washer	8-0439	1	88	O-ring (See 70-0232)	N/A Sep.	1
23	Washer	26-0187	3	56	O-ring (See 70-0180)	N/A Sep.	1	89	O-ring (See 70-0232)	N/A Sep.	1
24	Piston Nut	30-6016	3	57	Nipple	8-0441	1	90	Adjustable Detergent Knob	7-0152	1
25	Oil Dipstick	39-0090	1	58	O-ring (See 70-0180)	N/A Sep.	1	91	Snap Ring	N/A Sep.	1
26	Crankcase	46-0724	1	59	Piston	8-0442	1		High Pressure Seal Kit (Inc. 3 each 32, 34, 36)	70-0181	
27	Bearing	48-0063	1	60	Back-up Ring (See 70-0180)	N/A Sep.	2		Support Ring Kit (Includes 3 each 37)	70-0182	
28	Retaining Ring	46-0732	1	61	O-ring (See 70-0180)	N/A Sep.	1		Valve Kit (Includes 6 each 44-48)	70-0161	
29	Retaining Ring	46-0676	1	62	Back-up Ring (See 70-0180)	N/A Sep.	1		Unloader Repair Kit (Inc. 21, 56, 58, 60-62, 79)	70-0180	
30	Bearing Cap	46-0725	1	63	Poppet	8-0443	1		Injector Kit (Inc. 21, 82-91)	70-0196	
31	Oil Seal	26-0193	3	64	Pin	8-0444	1		Unloader Complete (Inc. 21, 52-81)	8-0456	
32	O-ring	25-0399	3	65	Spring Button	8-0445	1				
33	Low Pressure Retainer	46-0726	3	66	Guide Spring	8-0474	1				

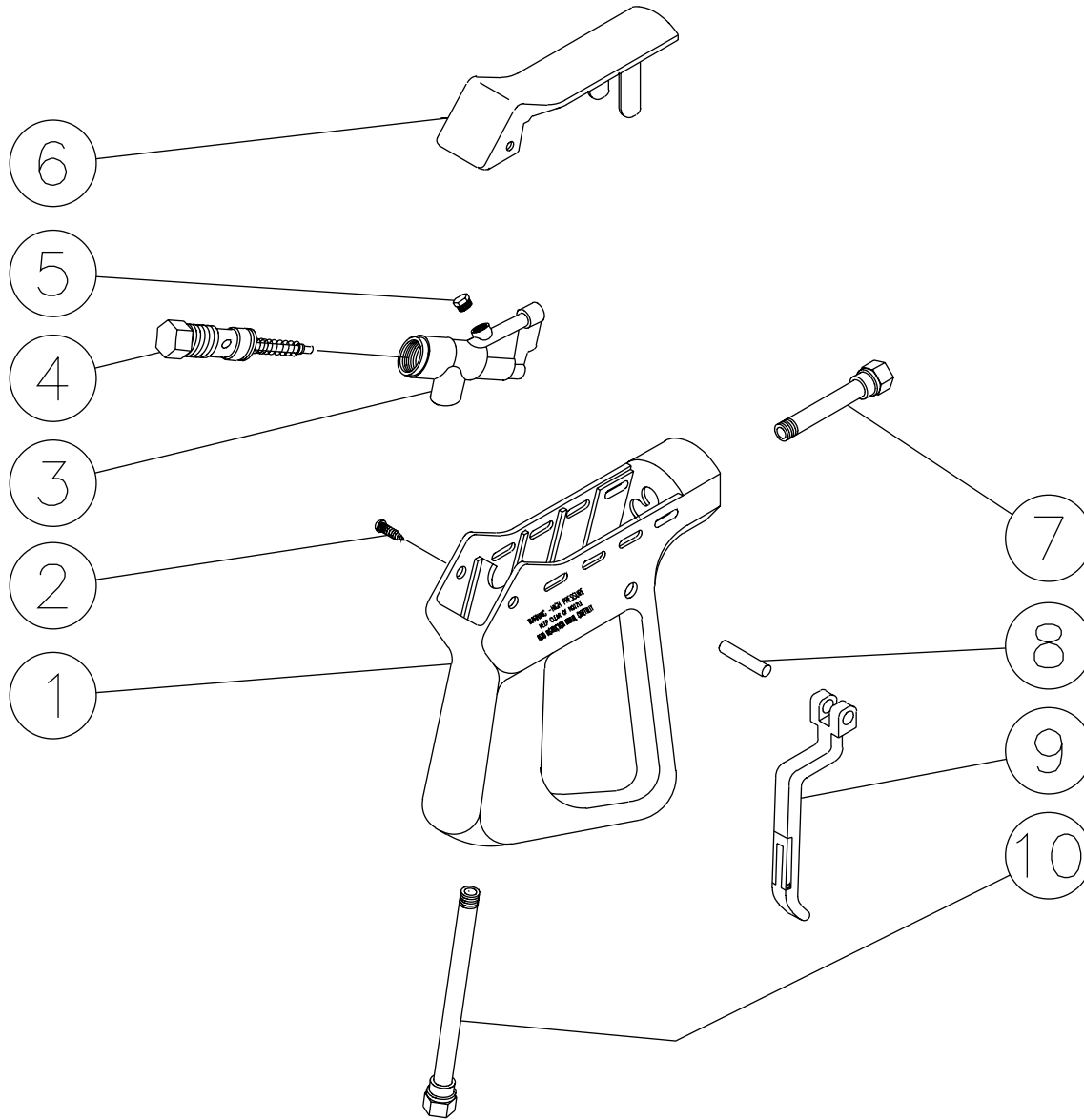
# UNLOADER ASSEMBLY (8-0456)





UNLOADER ASSEMBLY (8-0456)								
REF. #	DESCRIPTION	PART #	QTY.		REF. #	DESCRIPTION	PART #	QTY.
1	Inlet Bypass Adapter	8-0437	1		18	Spring Button	8-0475	1
2	Washer	8-0440	1		19	Adjustment Barrel	8-0476	1
3	Adapter	8-0438	1		20	Pin	8-0477	1
4	Washer	8-0439	1		21	Unloader Knob	7-0141	1
5	O-ring (See 70-0180)	N/A Sep.	1		22	Nut	30-3025	1
6	Nipple	8-0441	1		23	Bolt	27-8433	1
7	O-ring (See 70-0180)	N/A Sep.	1		24	Cap	7-0142	1
8	Piston	8-0442	1		25	Adapter	8-0448	1
9	Back-up Ring (See 70-0180)	N/A Sep.	2		26	Washer	8-0449	1
10	O-ring	25-0371	5		27	Washer	8-0450	1
11	O-ring (See 70-0180)	N/A Sep.	1		28	Unloader Body	8-0451	1
12	Back-up Ring (See 70-0180)	N/A Sep.	1		29	O-ring	25-0391	1
13	Poppet	8-0443	1		30	Check Valve	8-0454	1
14	Pin	8-0444	1		31	Spring	49-0123	1
15	Spring Button	8-0445	1		32	O-ring	25-0372	1
16	Spring Guide	8-0474	1		33	Adapter Nipple	24-0159	1
17	Spring	49-0132	1			Unloader Repair Kit (Inc. 5, 7, 10-12, 29)	70-0180	

# GUN ASSEMBLY (16-0001)



16-0001-110399-RD

<b>GUN ASSEMBLY (16-0001)</b>			
<b>REF. #</b>	<b>DESCRIPTION</b>	<b>PART #</b>	<b>QTY.</b>
1	Plastic Housing	16-0008	1
2	Screw	27-3230	2
3	Brass Housing	16-0012	1
4	Gun Repair Kit	70-0055	1
5	Brass Plug	39-0024	1
6	Plastic Cover	16-0009	1
7	Pipe Assembly	16-0013	1
8	Trigger Pin	16-0063	1
9	Trigger/Safety Lock-off	16-0010	1
10	Pipe Assembly- Inlet	16-0016	1
	Complete Gun Assembly	16-0001	1

