

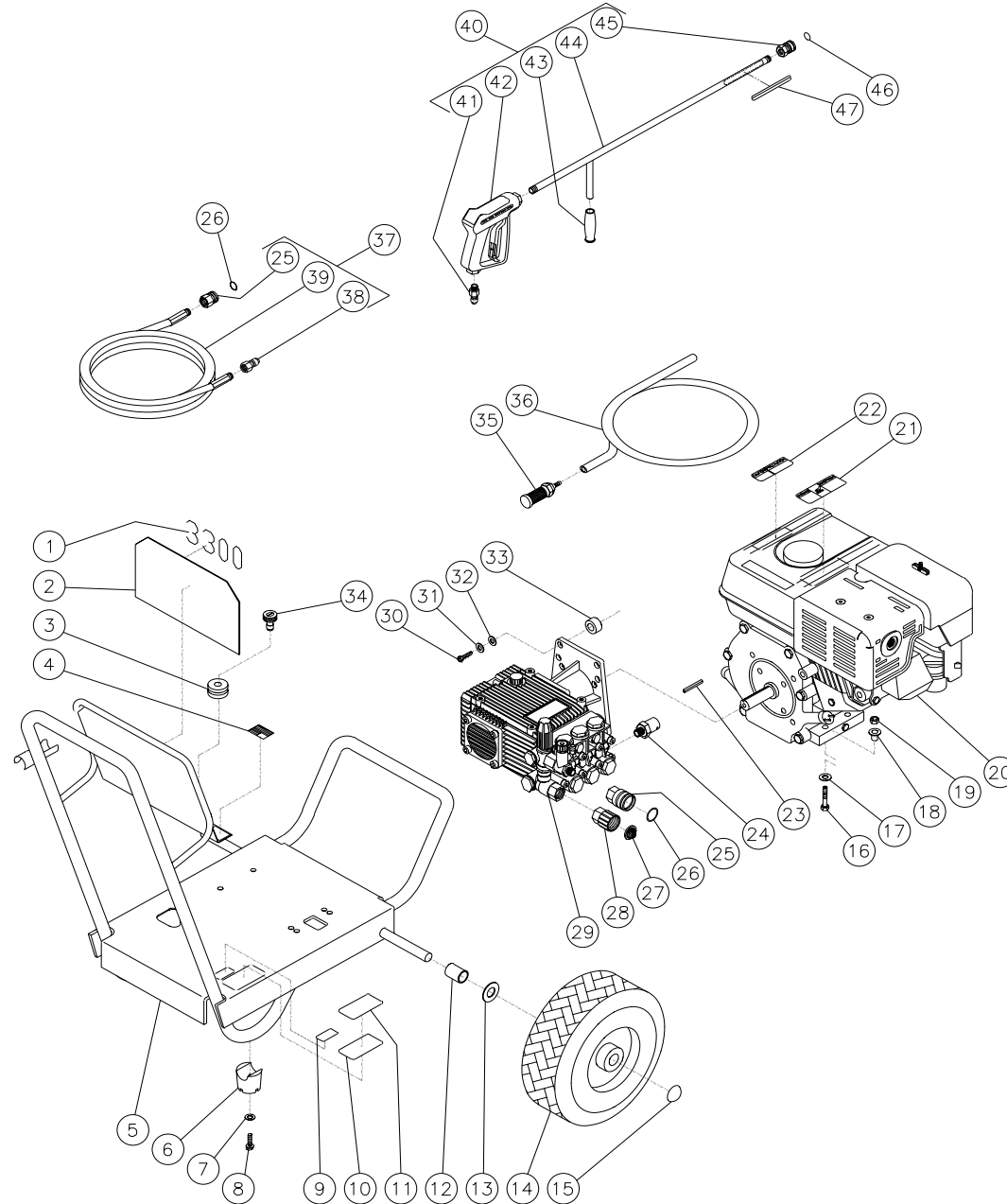
THE **JOB PRO**TM **by Mi-T-M**[®]

**8650 ENTERPRISE DRIVE
PEOSTA, IA 52068-0050
800-553-9053 / Fax 319-556-1235**

**JP-3304-0MHB
PARTS LIST**

Engine Oil Grade:	SAE 10 W/30
Engine Oil Capacity:	34.5 oz.
Pump Oil Grade:	Mi-T-M Pump Oil #AW-4085-0016
Pump Oil Capacity:	18.5 oz.
Nozzle Size:	3.5

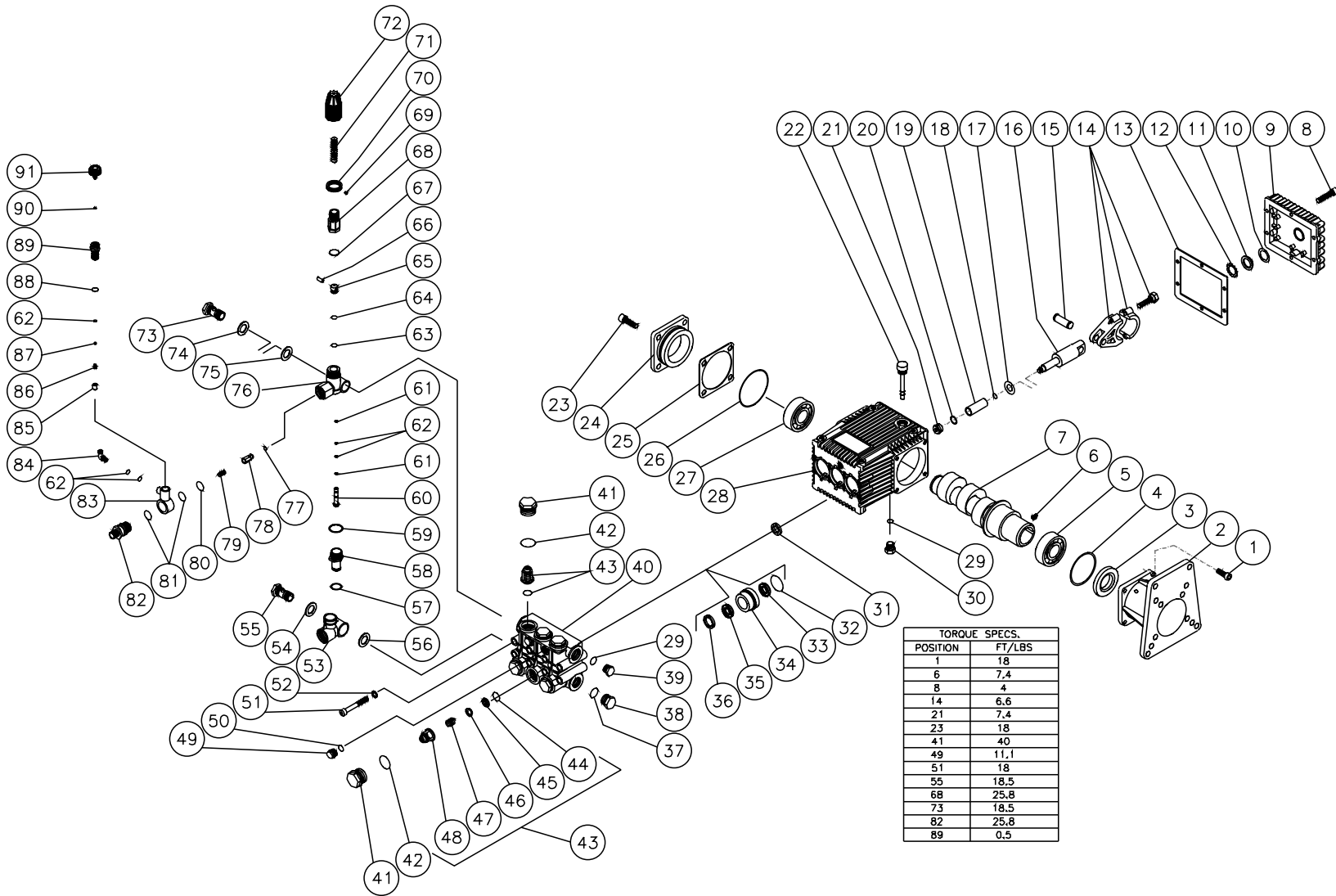
FRAME ASSEMBLY FOR JP-3304-0MHB



PDJP003010397/JTR

FRAME ASSEMBLY FOR JP-3304-0MHB							
REF. #	DESCRIPTION	PART #	QTY.		REF. #	DESCRIPTION	PART # QTY.
1	Decal-3300 Die Cut	34-0776	1		26	O-ring	25-0123 2
2	Decal-Warning/Caution/Operating Bilingual	34-0778	1		27	Filter	19-0001 1
3	Grommet	33-0001	5		28	Garden Hose Swivel	23-0095 1
4	Decal-American Flag	34-0521	1		29	Pump	3-0148 1
5	Frame	5-0124A01	1		30	Bolt	27-0118 4
6	Isolator	14-0066	2		31	Lockwasher	29-0008 4
7	Washer	28-0021	2		32	Washer	28-0022 4
8	Screw	27-3096	2		33	Shim (when needed)	33-0205 4
9	Decal-Cold Water Serial Number	N/A	1		34	Nozzle-0003.5	18-0257 1
10	Decal-Silver Sticker	34-0075	1			Nozzle-1503.5	18-0258 1
11	Decal-Clear Laminate	34-0210	1			Nozzle-2503.5	18-0259 1
12	Axle Spacer	20-0313	2			Nozzle-6540	18-0148 1
13	Washer	28-0008	5		35	Detergent Strainer	19-0050 1
14	Wheel	14-0017	2		36	Detergent Hose *(4 feet total)	15-0021 1
15	Hubcap	33-0018	2		37	Pressure Hose Assy. (Inc. 25, 38, 39)	851-0006 1
16	Bolt	27-0071	4		38	Quick Connect Plug	17-0006 1
17	Washer	28-0003	4		39	Pressure Hose	15-0004 1
18	Shim-Engine	33-0169	4		40	Gun & Wand Assy. (Inc. 41-45)	851-0095 1
19	Locknut	30-0157	4		41	Quick Connect Plug	17-0005 1
20	Engine-Honda 11.0 HP	1-0039	1		42	Gun	16-0001 1
21	Decal-Warning: Muffler Hot Bilingual	34-0598	1		43	Grip Handle	7-0002 1
22	Decal-Caution: Allow to Cool Bilingual	34-0599	1		44	Wand-36" w/Handle	16-0120 1
23	Key	43-0078	1		45	Quick Connect Socket	17-0001 1
24	Heat Dump Valve	22-0005	1		46	O-ring	25-0122 1
25	Quick Connect Socket	17-0004	2		47	Decal-Warning: Risk of Injection	34-0572 1
*Must order in one foot lengths.							

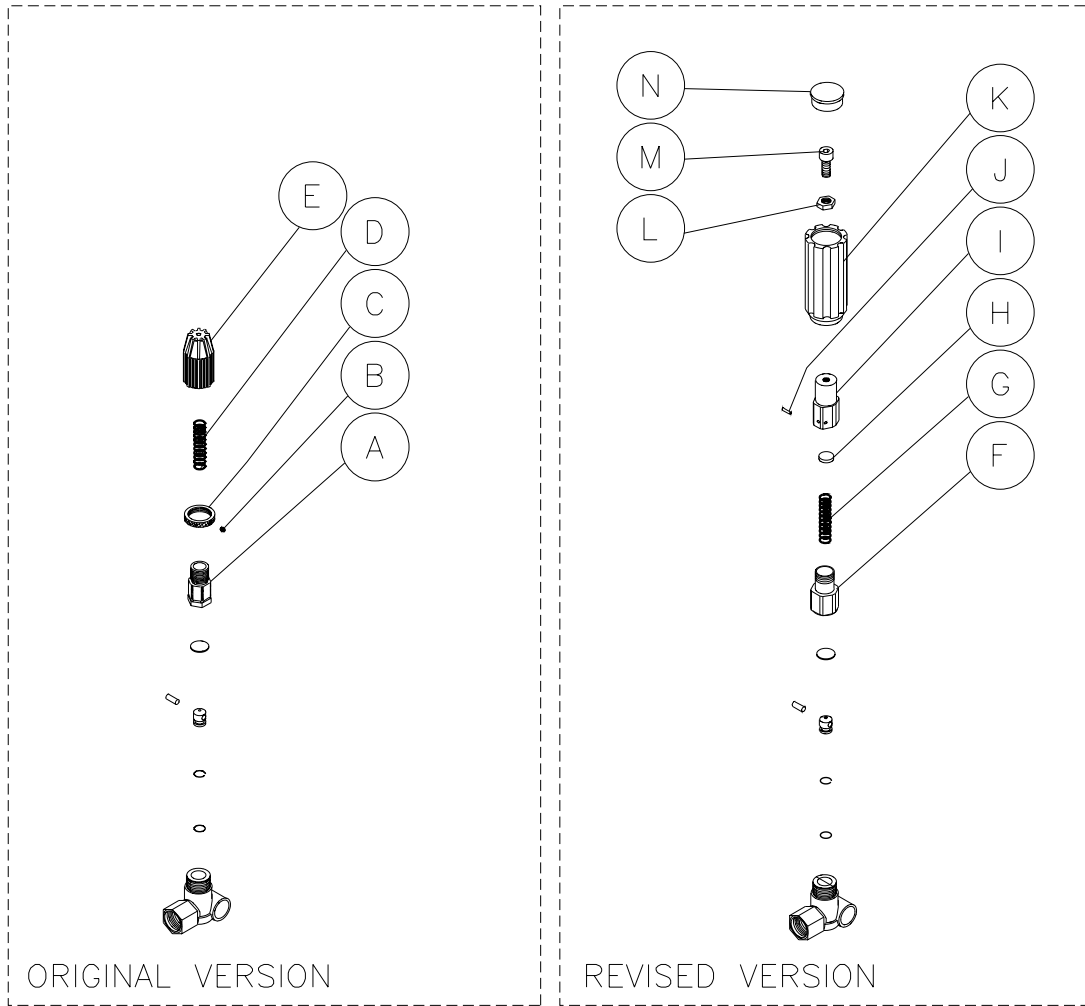
PUMP ASSEMBLY (3-0148)



OMPMP039-010397-JTR

PUMP ASSEMBLY (3-0148)											
REF. #	DESCRIPTION	PART #	QTY.	REF. #	DESCRIPTION	PART #	QTY.	REF. #	DESCRIPTION	PART #	QTY.
1	Bolt	27-8432	4	33	Low Pressure Seal (See 70-0177)	N/A Sep.	3	66	Pin	8-0444	1
2	Flange	46-0714	1	34	Packing Retainer	46-0708	3	67	Spring Button	8-0445	1
3	Oil Seal	26-0194	1	35	V-Packing (See 70-0177)	N/A Sep.	3	68	Guide Spring	8-0447	1
4	O-Ring	25-0397	1	36	Support Ring (See 70-0178)	N/A Sep.	3	69	Set Screw	27-8876	1
5	Roller Bearing	48-0062	1	37	O-ring	25-0372	1	70	Lock Nut	8-0446	1
6	Set Screw	27-8886	1	38	Plug	39-0088	1	71	Spring	49-0122	1
7	Crankshaft	46-0734	1	39	Plug	39-0086	1	72	Unloader Knob	7-0139	1
8	Bolt	27-8885	6	40	Manifold	46-0711	1	73	Adapter	8-0448	1
9	Crankcase Cover	46-0693	1	41	Valve Cap	39-0095	6	74	Washer	8-0449	1
10	O-ring	25-0370	1	42	O-ring	25-0160	6	75	Washer	8-0450	1
11	Oil Sight Glass	46-0670	1	43	Single Valve Assy. (Inc. 44-48) (See 70-0179)	N/A Sep.	6	76	Unloader Body	8-0451	1
12	Retainer	46-0671	1	44	O-ring	25-0386	6	77	O-ring	25-0391	1
13	Gasket	26-0189	1	45	Valve Seat (See 70-0179)	N/A Sep.	6	78	Check Valve	8-0454	1
14	Connecting Rod	46-0696	3	46	Valve Plate (See 70-0179)	N/A Sep.	6	79	Spring	49-0123	1
15	Piston Pin	46-0698	3	47	Valve Spring (See 70-0179)	N/A Sep.	6	80	O-ring	25-0372	1
16	Plunger Rod	46-0699	3	48	Valve Cage (See 70-0179)	N/A Sep.	6	81	O-ring	25-0392	1
17	Slinger Washer	46-0700	3	49	Plug	39-0096	2	82	Injector Adapter	8-0457	1
18	O-ring	25-0382	6	50	O-ring	25-0387	2	83	Detergent Injector Body	8-0453	1
19	Ceramic Piston	46-0701	3	51	Bolt	27-8440	8	84	Detergent Injector Elbow	8-0411	1
20	Washer	26-0191	3	52	Lockwasher	29-0154	8	85	Valve Cage (See 70-0165)	N/A Sep.	1
21	Nut	30-6020	3	53	Inlet Bypass Adapter	8-0437	1	86	Spring (See 70-0165)	N/A Sep.	1
22	Oil Dipstick	39-0090	1	54	Washer	8-0440	1	87	Ball (See 70-0165)	N/A Sep.	1
23	Bolt	27-8884	4	55	Adaptor	8-0438	1	88	O-ring (See 70-0165)	N/A Sep.	1
24	Bearing Cap	46-0703	1	56	Washer	8-0439	1	89	Injector Body	8-0418	1
25	Shim 0.1mm (Quantity varies 1-3)	46-0704	--	57	O-ring (See 70-0180)	N/A Sep.	1	90	O-ring	25-0253	1
	Shim 0.2mm (Quantity varies 1-3)	46-0705	--	58	Nipple	8-0441	1	91	Adjustable Detergent Knob	7-0138	1
26	O-ring	25-0380	1	59	O-ring (See 70-0180)	N/A Sep.	1		High Pressure Seal Kit (Inc. 3 each 32, 33, 35)	70-0177	
27	Bearing	48-0061	1	60	Piston	8-0442	1		Support Ring Kit (Includes 3 each 36)	70-0178	
28	Crankcase	46-0706	1	61	Back-up Ring (See 70-0180)	N/A Sep.	2		Valve Kit (Includes 6 each 44-48)	70-0179	
29	O-ring	25-0325	2	62	O-ring	25-0371	5		Unloader Repair Kit (Inc. 57, 59, 61-64, 77)	70-0180	
30	Plug	39-0086	2	63	O-ring (See 70-0180)	N/A Sep.	1		Injector Repair Kit (Inc. 62, 85-88)	70-0165	
31	Oil Seal	26-0190	3	64	Back-up Ring (See 70-0180)	N/A Sep.	1		Unloader Complete	8-0456	
32	O-ring	25-0384	3	65	Poppet	8-0443	1		Detergent Injector Complete	70-0196	

UNLOADER KNOB UPDATE

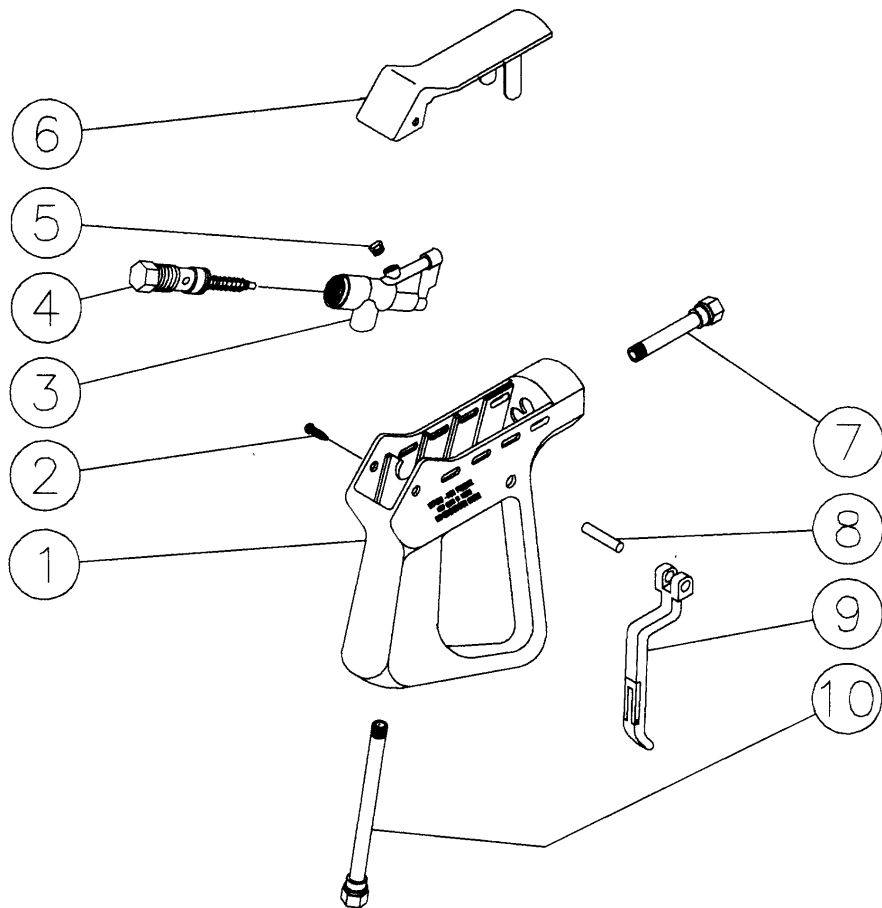


0MGEN250-031797-JTR

UNLOADER ASSEMBLY (8-0456)				
REF. #	DESCRIPTION	PART #	Original Quantity	Revision Quantity
A	Guide Spring	8-0447	1	-
B	Set Screw	27-8876	1	-
C	Locknut	8-0446	1	-
D	Spring	49-0122	1	-
E	Unloader Knob	7-0139	1	-
F	Guide Spring	8-0474	-	1
G	Spring	49-0132	-	1
H	Spring Button	8-0475	-	1
I	Adjustment Barrel	8-0476	-	1
J	Pin	8-0477	-	1
K	Unloader Knob	7-0141	-	1
L	Nut	30-3025	-	1
M	Bolt	27-8433	-	1
N	Cap	7-0142	-	1

0MGEN250/031797/JTR

GUN & WAND ASSEMBLY



OMGEN013-080294-BAR

GUN ASSEMBLY (16-0001)			
Ref. #	Description	Part #	Qty.
1	Plastic Housing	16-0008	1
2	Screw	27-3230	2
3	Brass Housing	16-0012	1
4	Gun Repair Kit	70-0055	1
5	Brass Plug	39-0024	1
6	Plastic Cover	16-0009	1
7	Pipe Assembly	16-0013	1
8	Trigger Pin	16-0063	1
9	Trigger Safety Lock-off	16-0010	1
10	Pipe Assembly-Inlet	16-0016	1
	Gun Assembly Complete	16-0001	1

