

THE JOB PRO[®] by **Mi-T-M[®]**

8650 Enterprise Drive, Peosta IA 52068
319-556-7484 / Fax 319-556-1235

PARTS LIST FOR JP-4004-0MVB

Engine Oil Grade:	Above 40°F = SAE30
	Below 40°F = SAE10W-30
Engine Oil Capacity:	56 oz.
Pump Oil Grade:	Mi-T-M Pump Oil #AW-4085-0016
Pump Oil Capacity:	18.5 oz.
Nozzle Size:	4.0

This Parts Listing has been compiled for your benefit. You can be assured your Mi-T-M Cold Water Pressure Washer was constructed and designed with quality and performance in mind using over 25 years experience in the pressure washer business. Each component has been rigorously tested to insure the highest level of acceptance.

The contents of this Parts Listing are based on the latest product information available at the time of publication. Mi-T-M reserves the right to make changes in price, color, materials, equipment, specifications or models at any time without notice.

WARNING

THIS IS A PROFESSIONAL HIGH PRESSURE, COLD WATER PRESSURE WASHER. CAUTION SHOULD BE OBSERVED WHEN USING OR REPAIRING THIS UNIT! READ AND FOLLOW THE SAFETY WARNINGS LISTED BELOW BEFORE ATTEMPTING ANY REPAIRS ON THIS PRESSURE WASHER!

SAFETY WARNINGS

1. NEVER alter or modify the equipment. Be sure any accessory items and system components being used will withstand the pressure developed. Use only genuine Mi-T-M parts for repair of your pressure washer. Failure to do so can cause hazardous operating conditions and will VOID warranty.
2. NEVER make adjustments on machinery while the unit is connected to the engine without first removing the ignition cable from the spark plug. Turning over the machinery by hand during adjustment or cleaning might start the engine and machinery with it, causing serious injury to the operator.
3. Know how to stop and bleed pressures quickly. Be thoroughly familiar with controls.
4. Before servicing the unit, turn unit off, relieve the water pressure and allow the unit to cool down. Do not make repairs while the unit is running. Service in a clean, dry, flat area. Block the wheels to prevent the unit from moving. Be especially careful to properly dispose of any flammable materials.
5. After testing the machine, DO NOT leave the pressurized unit unattended. Shut off the unit and release trapped pressure before leaving.

Table of Contents

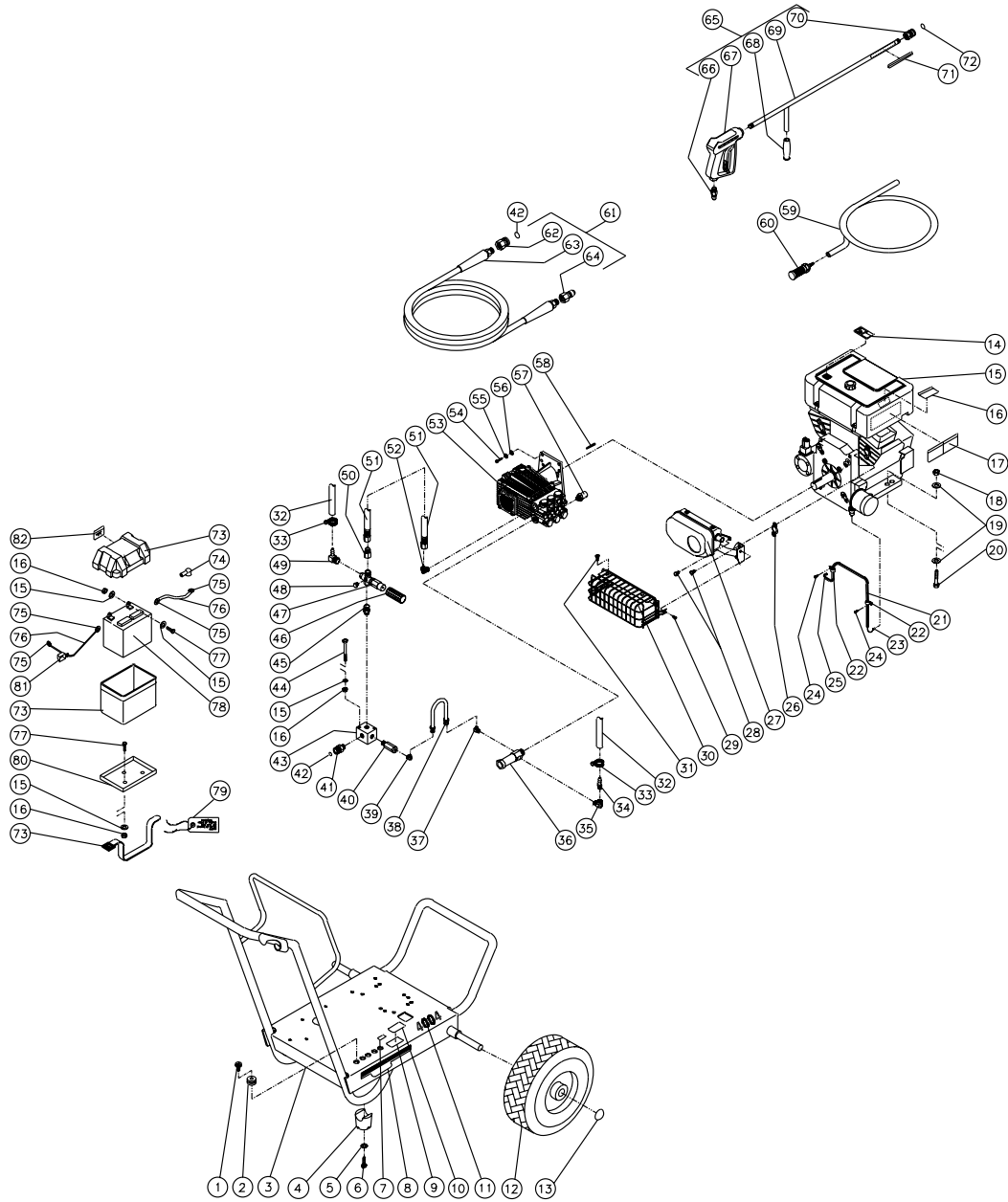
SPECIFICATIONS 3
FRAME ASSEMBLY FOR JP-4004-0MVB 4
PUMP ASSEMBLY (3-0208) 6
UNLOADER ASSEMBLY (8-0480) 8
GUN ASSEMBLY (16-0001) 10

SPECIFICATIONS

J P-4004-0MVB

MODEL NUMBER	JP-4004-0MVB
Operating Pressure (PSI/Bar):	4000/275.8
High Pressure Nozzle:	4.0
Water Volume (GPM/lpm):	4.0/15.1
Engine:	Vanguard
Horsepower	16.0
Engine Type	4 Stroke, Overhead Valve, Single Cylinder
Oil Type	Above 40 F=SAE 30/Below 40 F=SAE10W-30
Oil Capacity (oz./liters)	56/1.66
Low Oil Protection	Oil Guard
Fuel Type	Unleaded Gasoline 86 Octane Minimum
Fuel Capacity (gallon/ liters)	2.25/8.52
Starting	Recoil
Maximum No Load RPM	3600 (+/- 100) RPM
Pump:	Direct Driven, Oil Bath, Triplex Piston
Oil Type	Mi-T-M Pump Oil #AW-4085-0016
Oil Capacity (oz./liters)	18.5/.55
Plungers	Ceramic
Manifold	Forged Brass
Valves	Stainless Steel
Unloader	Adjustable
Heat Dump Valve	Relieves heated water during unloader bypass stage
Detergent Injector	Adjustable low pressure down stream from pump
Unit Net Weight (lbs/Kg)	134/61
Unit Shipping Weight (lbs/Kg)	184/84
Unit Net Dimension (in/cm)	35Lx22.5Wx26H/89Lx57Wx66H
Unit Shipping Dimension (in/cm)	39.5Hx25.5Wx32.5H/100.5Lx65Wx83H

FRAME ASSEMBLY FOR JP-4004-0MVB

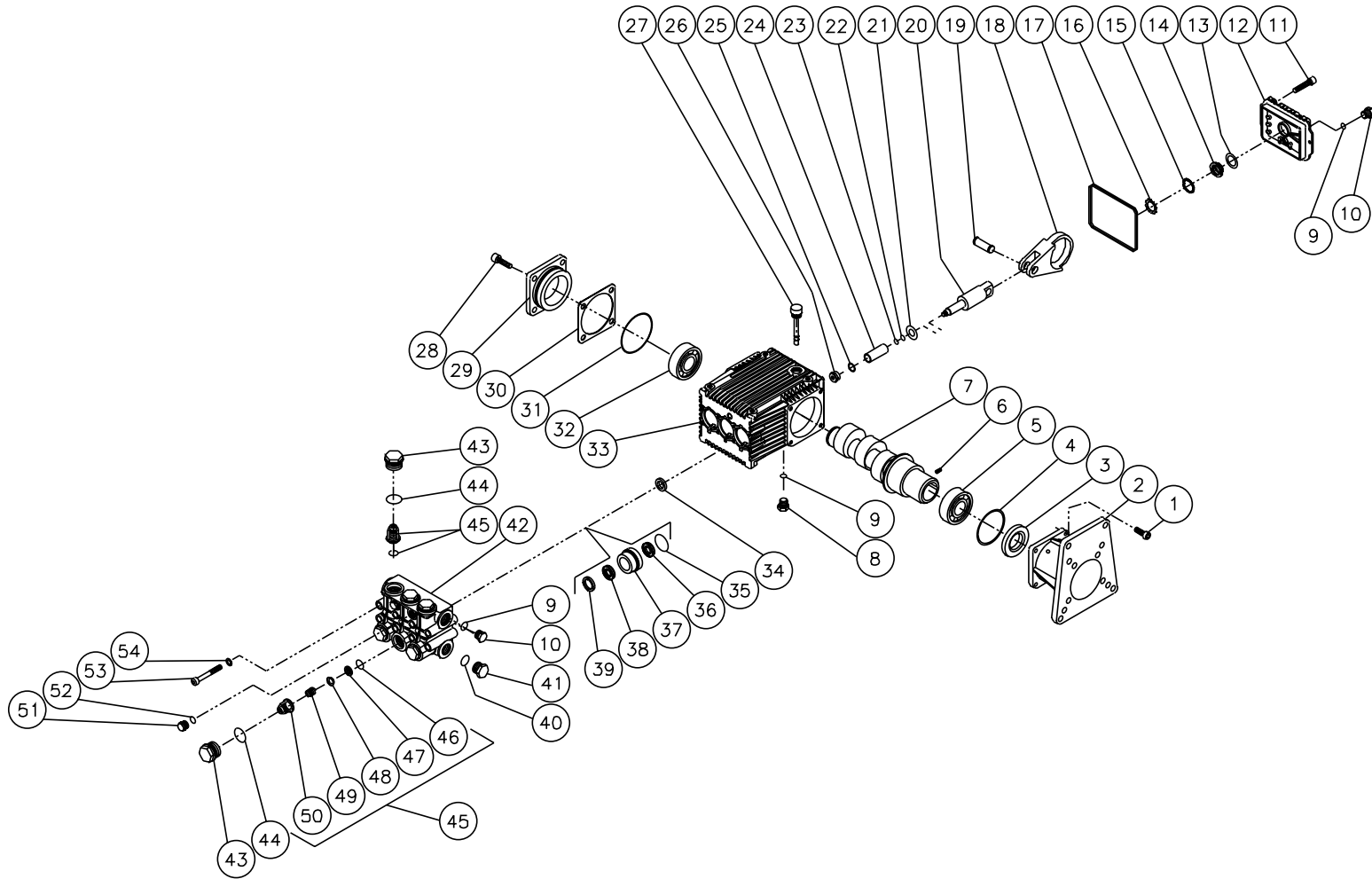


JP-4004-0MVB-102600-RD

FRAME ASSEMBLY FOR JP-4004-0MVB

REF. #	DESCRIPTION	PART #	QTY.	REF. #	DESCRIPTION	PART #	QTY.	REF. #	DESCRIPTION	PART #	QTY.
1	Nozzle- 0003.5	18-0257	1	27	Muffler	45-0064	1	56	Washer	28-0022	4
-	Nozzle- 1503.5	18-0258	1	28	Screw	27-8968	4	57	Heat Dump Valve	22-0005	1
-	Nozzle- 2503.5	18-0259	1	29	Screw	27-8966	2	58	Key	43-0078	1
-	Nozzle- 6540	18-0148	1	30	Muffler Guard	45-0067	1	59	Detergent Hose *(Four Feet Required)	15-0021	1
2	Grommet	33-0001	5	31	Screw	27-8967	2	60	Detergent Strainer	19-0050	1
3	Frame	5-0164A01	1	32	By-Pass Hose *(Three Feet Required)	15-0007	1	61	Pressure Hose Assembly (Inc. 42, 62-64)	851-0006	1
4	Isolator	14-0066	2	33	Screw Clamp	42-0011	2	62	Quick Connect Socket	17-0004	1
5	Washer	28-0021	2	34	Hose Barb	23-0120	1	63	Pressure Hose	15-0004	1
6	Screw	27-3096	2	35	Elbow	23-0014	1	64	Quick Connect Plug	17-0006	1
7	Decal- Serial Number	N/A	1	36	Filter	19-0207	1	65	Gun/Wand Assembly (Inc. 66-70)	851-0095	1
8	Decal- Job Pro	34-0777	1	37	Elbow	23-0237	1	66	Quick Connect Plug	17-0005	1
9	Decal- Data Plate	N/A	1	38	Hose	15-0140	1	67	Gun	16-0001	1
10	Decal- Clear Laminate	N/A	1	39	Elbow	23-0118	1	68	Grip Handle	7-0002	1
11	Decal- Die Cut 4004	34-0261	1	40	Easy Start Valve	22-0242	1	69	Wand w/Handle	16-0120A01	1
12	Wheel	14-0017	2	41	Quick Connect Socket	17-0007	1	70	Quick Connect Socket	17-0001	1
13	Hubcap	33-0018	2	42	O-ring (Replacement Only)	25-0123	-	71	Decal- Warning: Risk of Injection	34-0572	1
14	Decal- Warning: Risk of Burns	34-0598	1	43	Manifold Block	51-0020	1	72	O-ring (Replacement Only)	25-0122	-
15	Engine- 16HP Vanguard	1-0056	1	44	Bolt	27-0074	2	73	Battery Box	33-0092	1
16	Decal- Caution: Risk of Fire	34-0599	1	45	Nipple	24-0010	1	74	Terminal Protector	33-0273	1
17	Decal- Operating Instructions (E/S)	34-0813	1	46	Heat Shrink *(One Foot Required)	33-0272	1	75	Terminal Ring	32-0097	4
18	Locknut	30-0157	10	47	Unloader	8-0480	1	76	Cable (Neg.) *(Two Feet Required)	32-0065	1
19	Washer	28-0003	16	48	Plug	39-0017	1	-	Cable (Positive) *(Two Feet Required)	32-0065	1
20	Bolt	27-0070	4	49	Elbow	23-0050	1	77	Bolt	27-0066	4
21	Wire *(Three Feet Required)	32-0092	1	50	Adapter	24-0150	1	78	Battery	32-0058	1
22	Clip Wire	43-0003	2	51	High Pressure Hose	15-0177	1	79	Decal- Tag: Battery	34-0096	1
23	Terminal	32-0221	1	52	Elbow	24-0092	1	80	Battery Retainer	20-0264A01	1
24	Screw	27-3062	2	53	Pump	3-0208	1	81	Terminal Protector	33-0004	1
25	Terminal	32-0099	1	54	Bolt	27-0118	4	82	Decal- Caution: Disconnect Battery	34-0589	1
26	Gasket	45-0066	2	55	Lockwasher	29-0008	4	*Must Order in One Foot Lengths			

PUMP ASSEMBLY (3-0208)

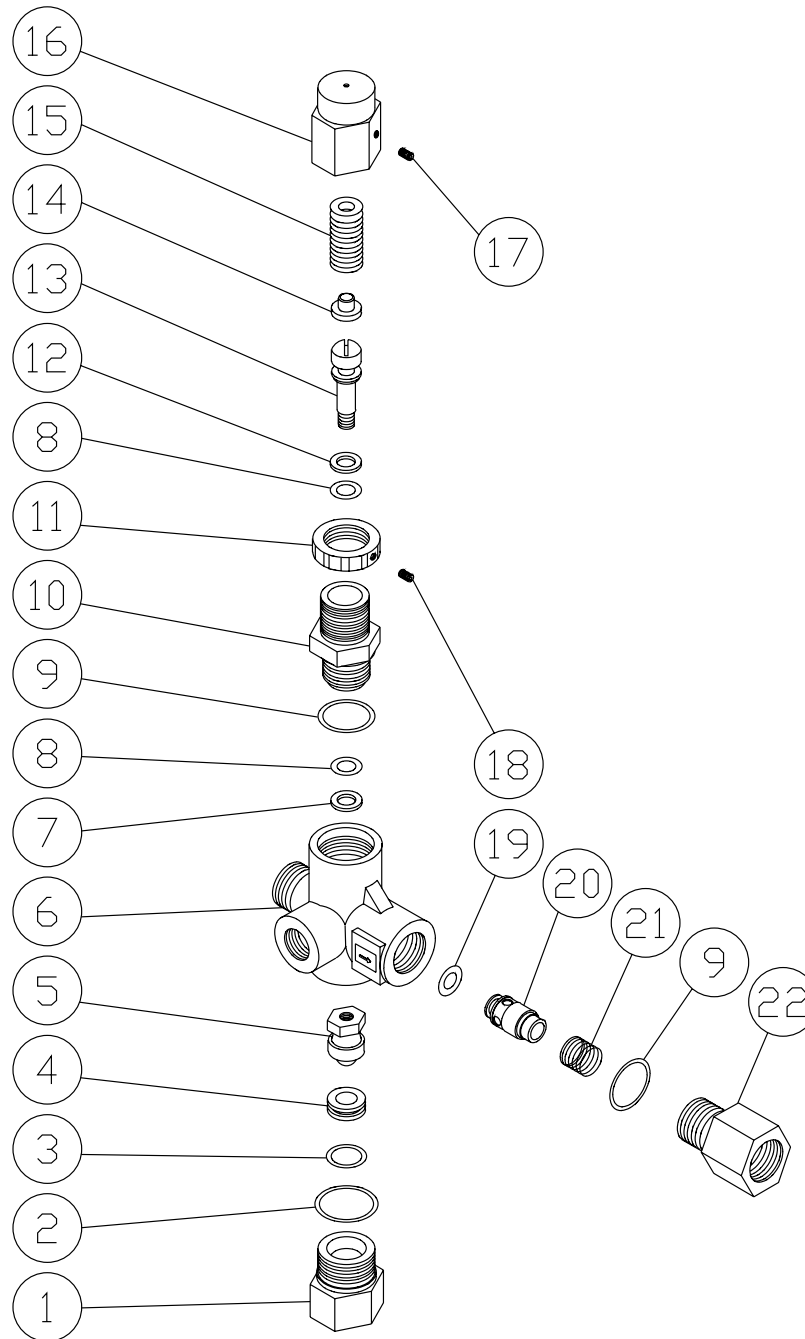


3-0208-072500-EDW

PUMP ASSEMBLY (3-0208)

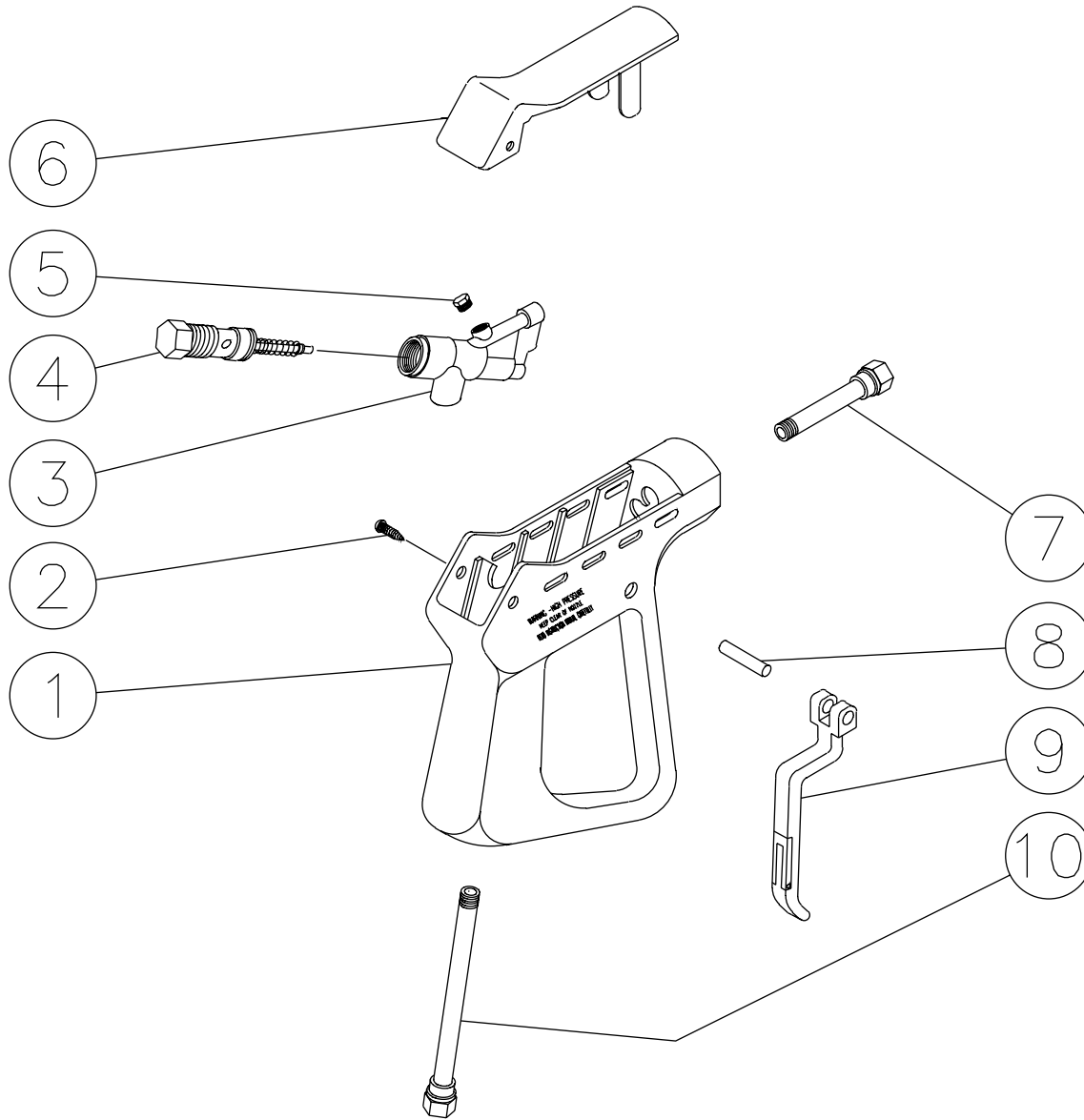
REF. #	DESCRIPTION	PART #	QTY.	REF. #	DESCRIPTION	PART #	QTY.	REF. #	DESCRIPTION	PART #	QTY.
1	Bolt	27-8432	4	21	Washer	46-0700	3	41	Plug	39-0088	1
2	Flange	46-0714	1	22	Back-up Ring	25-0404	3	42	Manifold	46-0711	1
3	Oil Seal	26-0194	1	23	O-ring	25-0382	3	43	Valve Cap	39-0095	6
4	O-ring	25-0397	1	24	Piston	46-0701	3	44	O-ring	25-0160	6
5	Bearing	48-0062	1	25	Gasket	26-0191	3	45	Single Valve Assembly (Inc. 46-50) (See 70-0179)	N/A Sep.	6
6	Set Screw	27-8886	1	26	Nut	30-6020	3	46	O-ring	25-0386	6
7	Crankshaft	46-0895	1	27	Oil Dipstick	39-0090	1	47	Valve Seat (See 70-0179)	N/A Sep.	6
8	Plug	39-0102	1	28	Bolt	27-8884	4	48	Valve Plate (See 70-0179)	N/A Sep.	6
9	O-ring	25-0325	3	29	Support Bearing Cap	46-0703	1	49	Valve Spring (See 70-0179)	N/A Sep.	6
10	Plug	39-0086	2	30	Shim- 0.1mm (Qty. Varies 1-3)	46-0704	-	50	Valve Cage (See 70-0179)	N/A Sep.	6
11	Bolt	27-8885	6	-	Shim- 0.2mm (Qty. Varies 1-3)	46-0705	-	51	Plug	39-0096	2
12	Crankcase Cover	46-0719	1	31	O-ring	25-0380	1	52	O-ring	25-0387	2
13	O-ring	25-0370	1	32	Bearing	48-0072	1	53	Bolt	27-8440	8
14	Oil Sight Glass	46-0670	1	33	Crankcase	46-0811	1	54	Lockwasher	29-0154	8
15	Reflector	46-0824	1	34	Oil Seal	26-0190	3		High Pressure Seals Kit (Inc. 3 each 35, 36, 38)	70-0177	
16	Retainer	46-0671	1	35	O-ring	25-0384	3		Support Rings Kit (Inc. 3 each 39)	70-0178	
17	O-ring	25-0398	1	36	Low Pressure Seal (See 70-0177)	N/A Sep.	3		Valve Kit (Inc. 6 each 46-50)	70-0179	
18	Connecting Rod (Bronze)	46-0922	3	37	Packing Retainer	46-0708	3		Piston Kit (Inc. 3 each 24)	70-0320	
-	Connecting Rod (Aluminum)	46-0893	3	38	V-Packing (See 70-0177)	N/A Sep.	3		Oil Seals Kit (Inc. 3, 4, 17, 31, 34)	70-0319	
19	Piston Pin	46-0698	3	39	Support Ring (See 70-0178)	N/A Sep.	3				
20	Plunger Rod	46-0699	3	40	O-ring	25-0372	1				

UNLOADER ASSEMBLY (8-0480)



UNLOADER ASSEMBLY (8-0480)			
REF. #	DESCRIPTION	PART #	QTY.
1	Bypass Cap	39-0083	1
2	O-ring (See 70-0207)	N/A Sep.	1
3	O-ring (See 70-0207)	N/A Sep.	1
4	Bypass Seat (See 70-0207)	N/A Sep.	1
5	Valve and Ball Assy. (See 70-0207)	N/A Sep.	1
6	Unloader Body	8-0481	1
7	Back-up Ring (See 70-0207)	N/A Sep.	1
8	O-ring (See 70-0207)	N/A Sep.	2
9	O-ring (See 70-0207)	N/A Sep.	2
10	Piston Retainer	8-0482	1
11	Locknut	30-6023	1
12	Back-up Ring (See 70-0207)	N/A Sep.	1
13	Piston Stem	8-0483	1
14	Spring Retainer	8-0484	1
15	Spring	49-0133	1
16	Adjustable Cap	39-0099	1
17	Set Screw	8-0485	1
18	Set Screw	8-0408	1
19	O-ring (See 70-0207)	N/A Sep.	1
20	Flow Balancer	8-0486	1
21	Spring	49-0118	1
22	Outlet Fitting	8-0487	1
	O-ring Kit (2-5, 7-9, 12, 19)	70-0207	
	Unloader Complete (Inc. 1-22)	8-0480	

GUN ASSEMBLY (16-0001)



16-0001-110399-RD

GUN ASSEMBLY (16-0001)			
REF. #	DESCRIPTION	PART #	QTY.
1	Plastic Housing	16-0008	1
2	Screw	27-3230	2
3	Brass Housing	16-0012	1
4	Gun Repair Kit	70-0055	1
5	Brass Plug	39-0024	1
6	Plastic Cover	16-0009	1
7	Pipe Assembly	16-0013	1
8	Trigger Pin	16-0063	1
9	Trigger/Safety Lock-off	16-0010	1
10	Pipe Assembly- Inlet	16-0016	1
	Complete Gun Assembly	16-0001	1

