

THE WORK PRO™

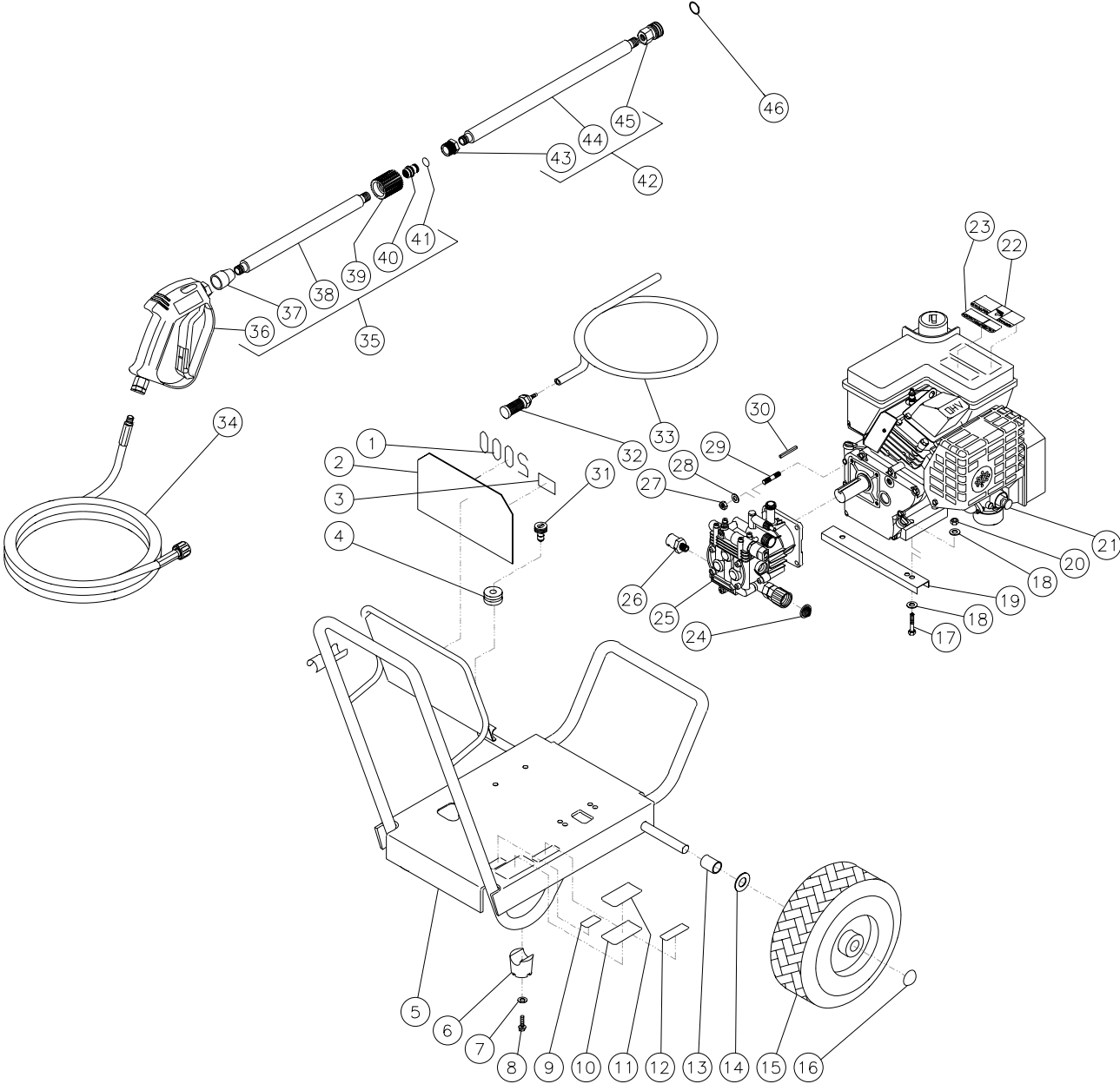
by Mi-T-M®

**8650 ENTERPRISE DRIVE
PEOSTA, IA 52068-0050
800-228-6172 / Fax 319-556-1235**

WP-2000-0MTB PARTS LIST

Engine Oil Grade:	SAE 10 W/30
Engine Oil Capacity:	17.6 oz.
Pump Oil Grade:	Mi-T-M Pump Oil #AW-4085-0016
Pump Oil Capacity (Sealed):	3.53 oz.
Nozzle Size:	3.5

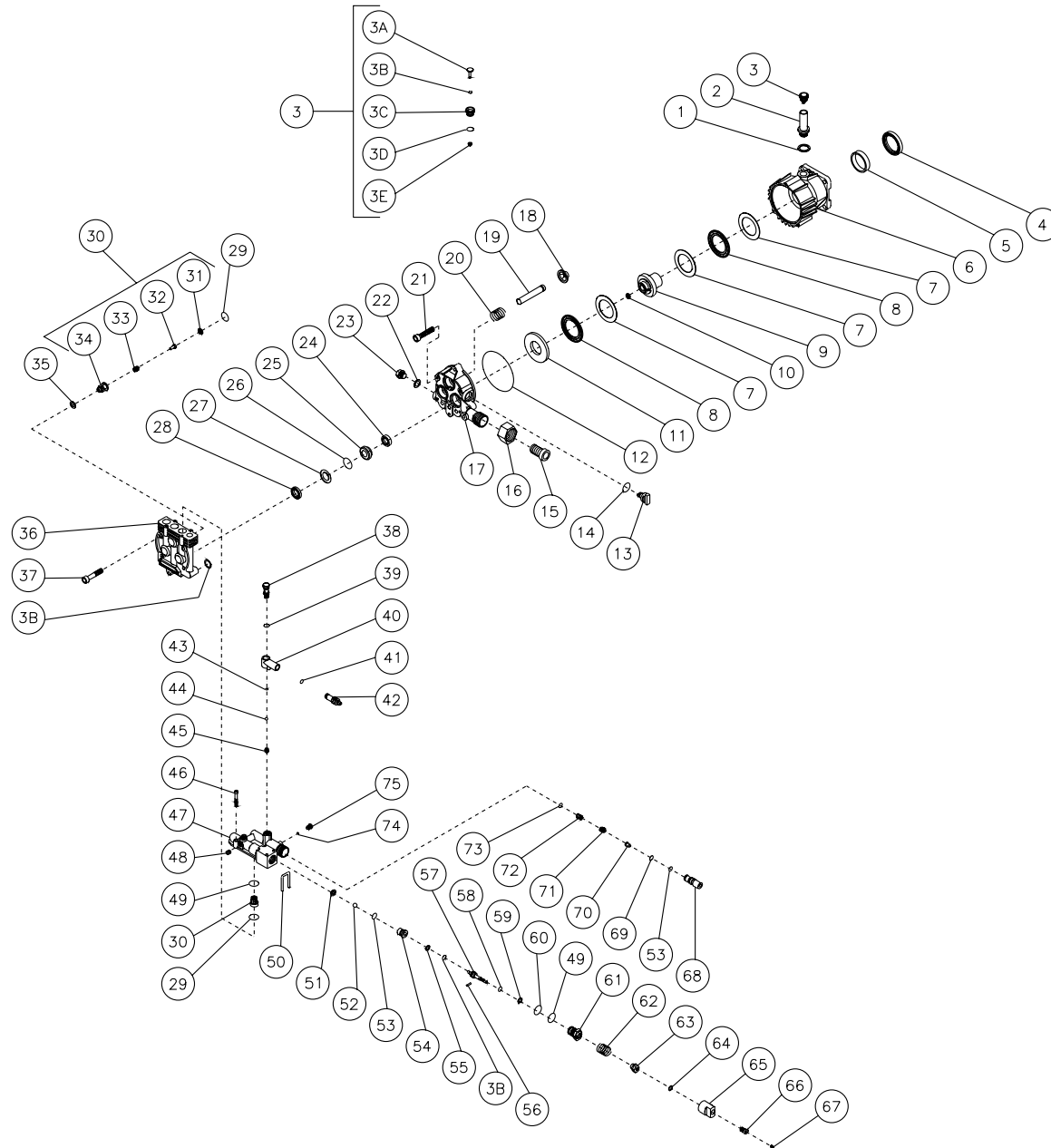
FRAME ASSEMBLY FOR WP-2000-0MTB



PDWIP002/051297/JTR

FRAME ASSEMBLY FOR WP-2000-OMTB								
REF. #	DESCRIPTION	PART #	QTY.		REF. #	DESCRIPTION	PART #	QTY.
1	Decal-2000 Die Cut	34-0771	1		26	Heat Dump Valve	22-0114	1
2	Decal-Warning/Caution/Operating Bilingual	34-0737	1		27	Hex Nut	30-0004	4
3	Decal-American Flag	34-0521	1		28	Lockwasher	29-0007	4
4	Grommet	33-0001	5		29	Stud	27-8889	4
5	Frame	5-0123A20	1		30	Key	43-0073	1
6	Isolator	14-0066	2		31	Nozzle-15035	18-0258	1
7	Washer	28-0021	2			Nozzle-25035	18-0259	1
8	Screw	27-3096	2			Nozzle-6540	18-0148	1
9	Decal-Cold Water Serial Number	N/A	1		32	Detergent Strainer	19-0050	1
10	Decal-Silver Sticker	34-0486	1		33	Detergent Hose *(4 feet required)	15-0021	1
11	Decal-Clear Laminate	34-0210	1		34	Pressure Hose	15-0169	1
12	Decal-Technical Service Number	34-0603	1		35	Gun & Wand Assy. (Inc. 35-40)	851-0245	1
13	Axle Spacer	20-0313	2		36	Gun Assembly	16-0190	1
14	Washer	28-0008	5		37	Protective Cover	62-0091	1
15	Wheel	14-0017	2		38	Insulated Lance	16-9001	1
16	Hubcap	33-0018	2		39	Hand Wheel	16-0303	1
17	Bolt	27-0070	4		40	Plug	23-0267	1
18	Washer	28-0003	8		41	O-ring	25-0291	1
19	Support Brace	13-0119	1		42	Lance Assembly (Inc. 50-52)	851-0292	1
20	Locknut	30-0157	4		43	Adapter	23-0266	1
21	Engine-Tecumseh 5.0 HP	1-0097	1		44	Insulated Lance	16-9003	1
22	Decal-Warning: Muffler Hot Bilingual	34-0598	1		45	Quick Connect Socket	17-0001	1
23	Decal-Caution: Allow to Cool Bilingual	34-0599	1		46	O-ring	25-0122	1
24	Filter	19-0001	1			*Must order in one foot lengths.		
25	Pump	3-0153	1					

PUMP ASSEMBLY (3-0153)

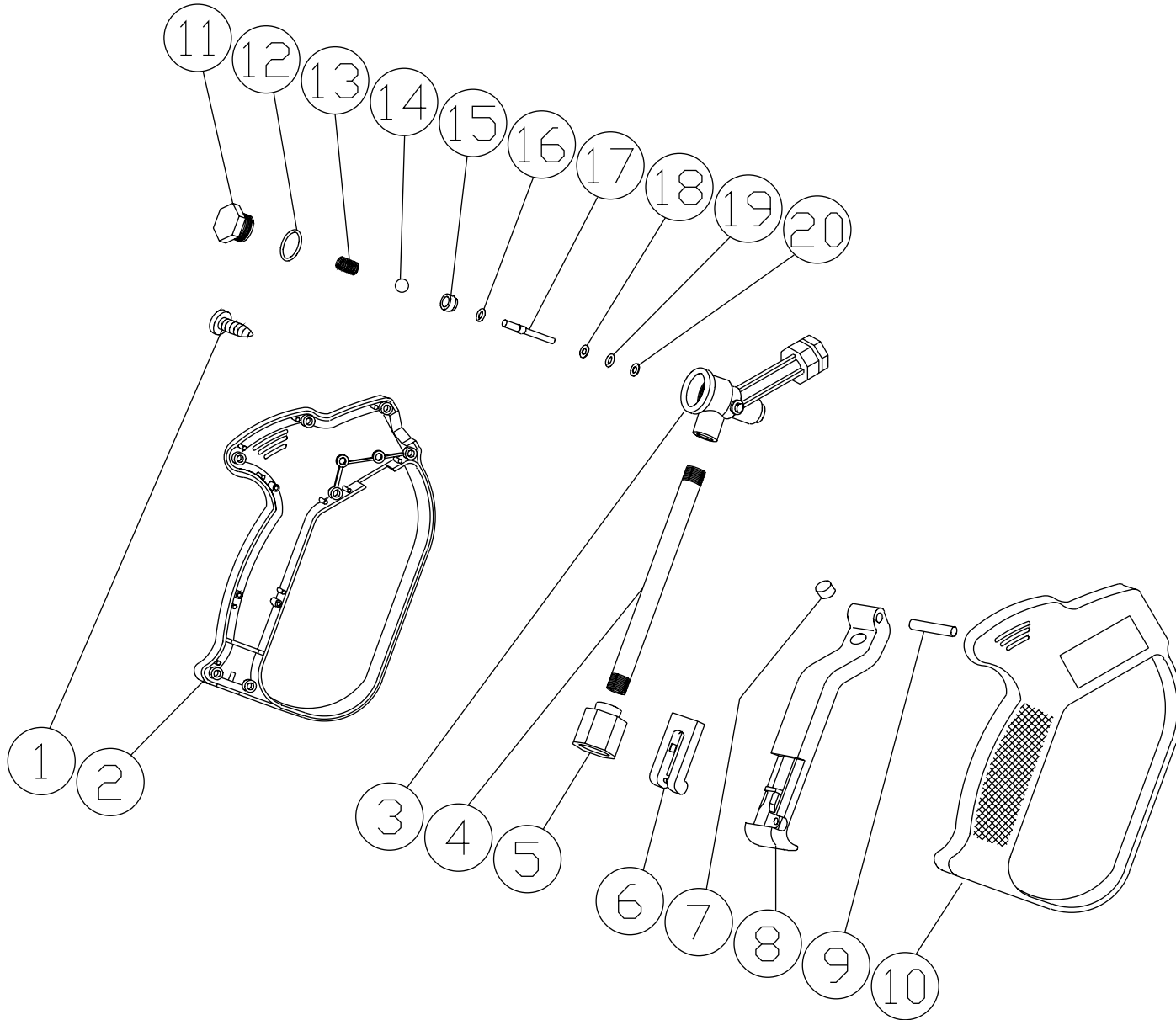


OMPMP044-111197-DCE

©Copyright Mi-T-M Corporation® 1999

PUMP ASSEMBLY (3-0153)											
REF #	DESCRIPTION	PART #	QTY	REF #	DESCRIPTION	PART #	QTY	REF #	DESCRIPTION	PART #	QTY
1	Gasket	46-0779	1	26	O-ring (See 70-0190)	N/A Sep.	3	56	O-ring	25-0230	1
2	Vent Extension	46-0748	1	27	Back-up Ring (See 70-0190)	N/A Sep.	3	57	Roll Pin	46-0364	1
3	Oil Vent Assembly (Includes 3A-3E)	46-0634	1	28	Pressure Seal (See 70-0190)	N/A Sep.	3	58	Piston By-pass Valve (See 70-0215)	N/A Sep.	1
3A	Oil Vent Piston	N/A Sep.	1	29	O-ring	25-0359	6	59	O-ring	25-0242	1
3B	O-ring	25-0230	1	30	Valve Complete (See 70-0191 Inc. 26-29)	N/A Sep.	6	60	Back-up Ring	25-0246	1
3C	Oil Vent Cage	N/A Sep.	1	31	Valve Seat - Plastic	N/A Sep.	6	61	O-ring	25-0231	1
3D	O-ring	N/A Sep.	1	32	Valve Plate - Stainless Steel	N/A Sep.	6	62	Body Bypass Valve	8-0470	1
3E	Oil Vent Spring	N/A Sep.	1	33	Valve Spring - Stainless Steel	N/A Sep.	6	63	Pressure Regulating Spring-2000 PSI	49-0131	1
4	Oil Seal (See 70-0214)	N/A Sep.	1	34	Valve Cage - Plastic	N/A Sep.	6	64	Pressure Regulating Screw	8-0471	1
5	Flange Bushing (See70-0214)	N/A Sep.	1	35	Washer Shim	46-0745	3	65	Spring Clip	25-0245	1
6	Flange	46-0777	1	36	Pump Head - Brass	46-0658	1	66	Pressure Regulating Knob	7-0133	1
7	Thrust Washer	48-0056	3	37	Screw	27-8892	5	67	Screw	27-8859	1
8	Thrust Needle Roller Bearing	48-0057	2	38	Banjo Fitting - Brass	46-0637	1	68	Screw	27-8860	1
9	Wobble Plate - 10°	46-0778	1	39	O-ring (See 70-0102)	N/A Sep.	1	69	Injector Body - Plastic	46-0360	1
10	Wobble Plate Plug	39-0082	1	40	Detergent Injector Body	46-0636	1	70	O-ring	25-0362	1
11	Thrust Washer	48-0064	1	41	O-ring	25-0341	1	71	Injector Nozzle - Brass	46-0356	1
12	O-ring	25-0358	1	42	Detergent Injector Hose Barb	46-0638	1	72	Check Valve Spring	49-0130	1
13	Oil Sight Glass	46-0735	1	43	O-ring (See 70-0102)	N/A Sep.	2	73	Check Valve - Plastic	22-0158	1
14	O-ring	25-0420	1	44	Detergent Injector Ball (See 70-0102)	N/A Sep.	1	74	O-ring	25-0334	1
15	Garden Hose Adapter	23-0305	1	45	Detergent Injector Spring (See 70-0102)	N/A Sep.	1	75	O-ring	25-0357	1
16	Garden Hose Connection	23-0304	1	46	Bolt	27-8893	4	76	Screw	27-8894	1
17	Pump Housing	46-0746	1	47	Pump Manifold - Brass	46-0743	1		Flange Assembly (Includes 4-6)	70-0214	
18	Piston Spring Retainer	46-0663	3	48	Screw	27-8868	1		Packing Kit (Includes 3 ea. 26-28)	70-0195	
19	Piston-Stainless Steel	46-0664	3	49	O-ring	25-0263	5		Valve Kit (Includes 29, 30)	70-0191	
20	Piston Spring	49-0129	3	50	U-Clip	46-0741	1		Unloader Check Valve Kit (Inc. 53, 68-73)	70-0108	
21	Bolt	27-8870	3	51	Valve Seat Plate	46-0686	1		Unloader Seat Kit (Includes 51-54)	70-0192	
22	Gasket	26-0168	1	52	Ball - Stainless Steel	46-0685	1		Unloader Stem Kit (Inc. 39, 49, 55-64, 67)	70-0215	
23	Plug	39-0098	1	53	O-ring	25-0248	2		Injector Repair Kit (Inc. 39, 43-45)	70-0102	
24	Oil Seal	26-0195	3	54	Ball Seat	46-0352	1		Manifold Assy. (Inc. 3B, 38-40, 43-45, 47-75)	70-0216	
25	Packing Retainer - Brass	46-0737	3	55	Back-up Ring	25-0247	1				

GUN & WAND ASSEMBLY (16-0190)



16-0190-110399-RD

GUN & WAND ASSEMBLY (16-0190)			
REF. #	DESCRIPTION	PART #	QTY.
1	Screw	27-8382	7
2	Plastic Housing (Left Side)	16-0336	1
3	Housing-Brass	23-0295	1
4	Pipe	21-0095	1
5	Nipple	23-0173	1
6	Trigger Safety Lock	16-0332	1
7	Trigger Rest	16-0333	1
8	Trigger	16-0335	1
9	Trigger Pin	43-0069	1
10	Plastic Housing (Right Side)	16-0334	1
11	Plug (See 70-0057)	N/A Sep.	1
12	O-ring (See 70-0057)	N/A Sep.	1
13	Spring (See 70-0057)	N/A Sep.	1
14	Ball (See 70-0057)	N/A Sep.	1
15	Seat (See 70-0057)	N/A Sep.	1
16	O-ring (See 70-0057)	N/A Sep.	1
17	Pin (See 70-0057)	N/A Sep.	1
18	Washer (See 70-0057)	N/A Sep.	1
19	O-ring (See 70-0057)	N/A Sep.	1
20	Back-up Ring (See 70-0057)	N/A Sep.	1
	Repair Kit (Includes 11-20)	70-0057	

