

THE WORK PRO™

by Mi-T-M®

8650 Enterprise Drive, Peosta IA 52068
319-556-7484 / Fax 319-556-1235

PARTS LIST FOR WP-2003-0MHB

Engine Oil Grade:	SAE 10W-30
Engine Oil Capacity:	20 oz.
Pump Oil Grade:	Mi-T-M Pump Oil #AW-4085-0016
Pump Oil Capacity (Sealed):	6.75 oz.
Nozzle Size:	4.0

This Parts Listing has been compiled for your benefit. You can be assured your Mi-T-M Cold Water Pressure Washer was constructed and designed with quality and performance in mind using over 25 years experience in the pressure washer business. Each component has been rigorously tested to insure the highest level of acceptance.

The contents of this Parts Listing are based on the latest product information available at the time of publication. Mi-T-M reserves the right to make changes in price, color, materials, equipment, specifications or models at any time without notice.

WARNING

THIS IS A PROFESSIONAL HIGH PRESSURE, COLD WATER PRESSURE WASHER. CAUTION SHOULD BE OBSERVED WHEN USING OR REPAIRING THIS UNIT! READ AND FOLLOW THE SAFETY WARNINGS LISTED BELOW BEFORE ATTEMPTING ANY REPAIRS ON THIS PRESSURE WASHER!

SAFETY WARNINGS

1. NEVER alter or modify the equipment. Be sure any accessory items and system components being used will withstand the pressure developed. Use only genuine Mi-T-M parts for repair of your pressure washer. Failure to do so can cause hazardous operating conditions and will VOID warranty.
2. NEVER make adjustments on machinery while the unit is connected to the engine without first removing the ignition cable from the spark plug. Turning over the machinery by hand during adjustment or cleaning might start the engine and machinery with it, causing serious injury to the operator.
3. Know how to stop and bleed pressures quickly. Be thoroughly familiar with controls.
4. Before servicing the unit, turn unit off, relieve the water pressure and allow the unit to cool down. Do not make repairs while the unit is running. Service in a clean, dry, flat area. Block the wheels to prevent the unit from moving. Be especially careful to properly dispose of any flammable materials.
5. After testing the machine, DO NOT leave the pressurized unit unattended. Shut off the unit and release trapped pressure before leaving.

Table of Contents

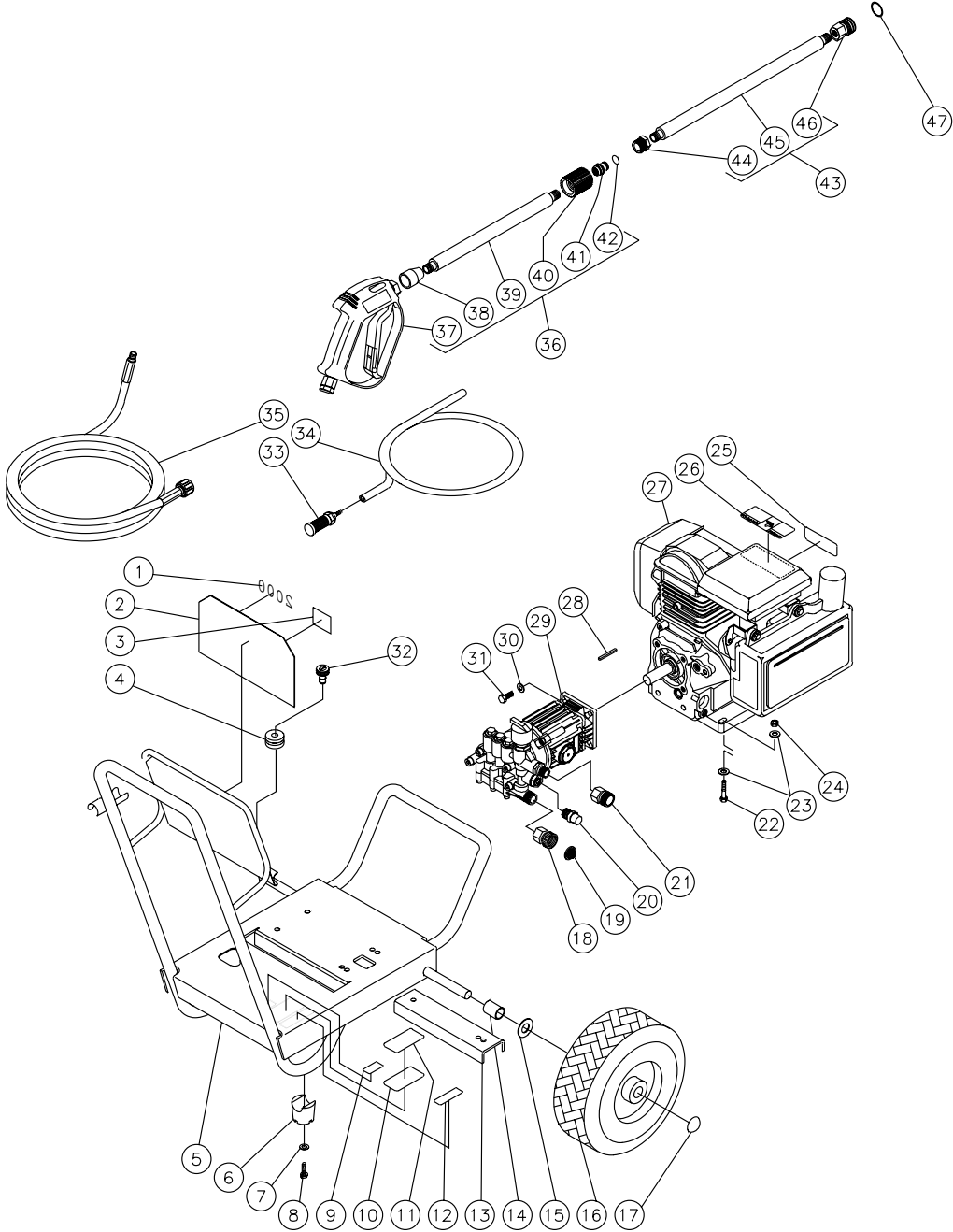
SPECIFICATIONS	3
FRAME ASSEMBLY FOR WP-2003-0MHB	4
PUMP ASSEMBLY (3-0171)	6
GUN ASSEMBLY (16-0190).....	8
NOTES	10

SPECIFICATIONS

WP-2003-0MHB

MODEL NUMBER	WP-2003-0MHB
Operating Pressure (PSI/Bar):	2000/138
High Pressure Nozzle:	4.0
Water Volume (GPM/lpm):	2.7/10
Engine:	Honda
Horsepower	5.0
Engine Type	4 Stroke, Overhead Cam, Single Cylinder
Oil Type	SAE10W-30
Oil Capacity (oz./liters)	20/.6
Fuel Type	Unleaded Gasoline 86 Octane Minimum
Fuel Capacity (gallon/ liters)	.5/2
Starting	Recoil
Maximum No Load RPM	3600 (+/- 100) RPM
Pump:	Direct Driven, Oil Bath, Triplex Piston
Oil Type	Mi-T-M Pump Oil #AW-4085-0016
Oil Capacity (oz./liters)	6.75/.20
Plungers	Stainless Steel
Manifold	Forged Brass
Valves	Stainless Steel
Unloader	Adjustable
Heat Dump Valve	Relieves heated water during unloader bypass stage
Detergent Injector	Adjustable low pressure down stream from pump
Unit Net Weight (lbs/Kg)	75/34
Unit Shipping Weight (lbs/Kg)	87/39.5
Unit Net Dimension (in/cm)	30Lx21Wx26H/76Lx53.5Wx66H
Unit Shipping Dimension (in/cm)	30.5Lx21.5Wx26.5H/77.5Lx54.5Wx67.5H

FRAME ASSEMBLY FOR WP-2003-0MHB

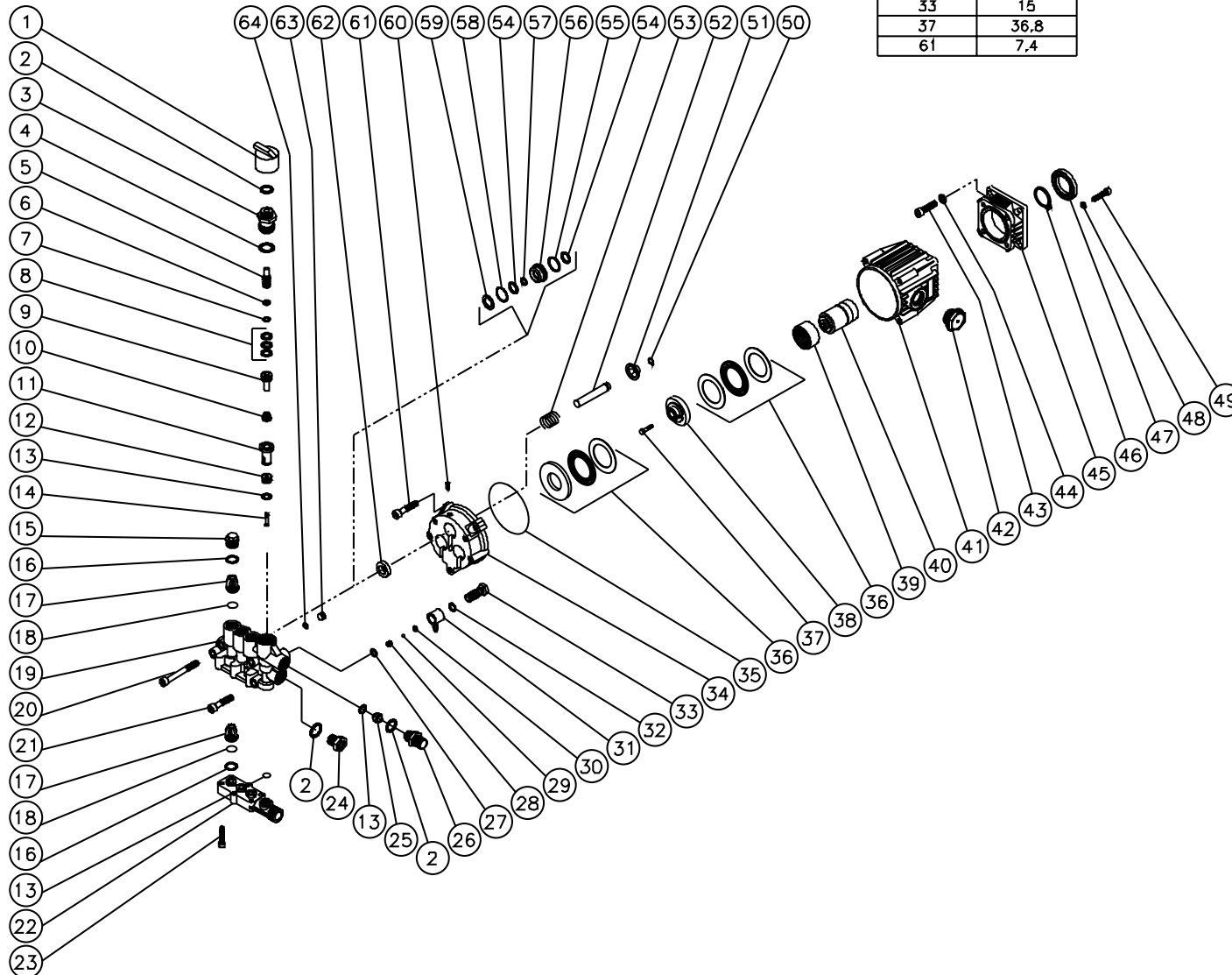


WP-2003-0MHB-011700-RD

FRAME ASSEMBLY FOR WP-2003-0MHB							
REF. #	DESCRIPTION	PART #	QTY.	REF. #	DESCRIPTION	PART #	QTY.
1	Decal- 2000 Die Cut	34-0771	1	26	Decal- Warning: Muffler Hot (E/S)	34-0598	1
2	Decal- Warning/Caution/Operating (E/S)	34-0737	1	27	Engine- 5.0 H.P. Honda	1-0104	1
3	Decal- American Flag	34-0521	1	28	Key	43-0073	1
4	Grommet	33-0001	5	29	Pump	3-0171	1
5	Frame	5-0123A20	1	30	Lockwasher	29-0155	4
6	Isolator	14-0066	2	31	Bolt	27-0846	4
7	Washer	28-0021	2	32	Nozzle- 1504	18-0029	1
8	Screw	27-3096	2	-	Nozzle- 2504	18-0030	1
9	Decal- Serial Number	N/A	1	-	Nozzle- 6540	18-0148	1
10	Decal- Data Plate	N/A	1	33	Detergent Strainer	19-0050	1
11	Decal- Clear Laminate	N/A	1	34	Detergent Hose *(Four Feet Required)	15-0021	1
12	Decal-Technical Service Number	34-0603	1	35	Pressure Hose	15-0169	1
13	Support Base	13-0119A20	1	36	Gun/Wand Assembly (Inc. 37-42)	851-0245	1
14	Axle Spacer	20-0313A01	2	37	Gun Assembly	16-0190	1
15	Washer	28-0008	5	38	Protective Cover	62-0091	1
16	Wheel	14-0017	2	39	Insulated Lance	16-9001	1
17	Hubcap	33-0018	2	40	Hand Wheel	16-0303	1
18	Garden Hose Swivel	23-0001	1	41	Plug	23-0267	1
19	Filter	19-0001	1	42	O-ring	25-0291	1
20	Heat Dump Valve	22-0114	1	43	Lance Assembly (Inc. 44-46)	851-0292	1
21	Adaptor	23-0279	1	44	Adapter	23-0266	1
22	Bolt	27-0070	4	45	Insulated Lance	16-9003	1
23	Washer	28-0003	8	46	Quick Connect Socket	17-0001	1
24	Locknut	30-0157	4	47	O-ring(Replacement)	25-0122	-
25	Decal- Caution: Allow to Cool (E/S)	34-0599	1	*Must Order in One Foot Lengths			

PUMP ASSEMBLY (3-0171)

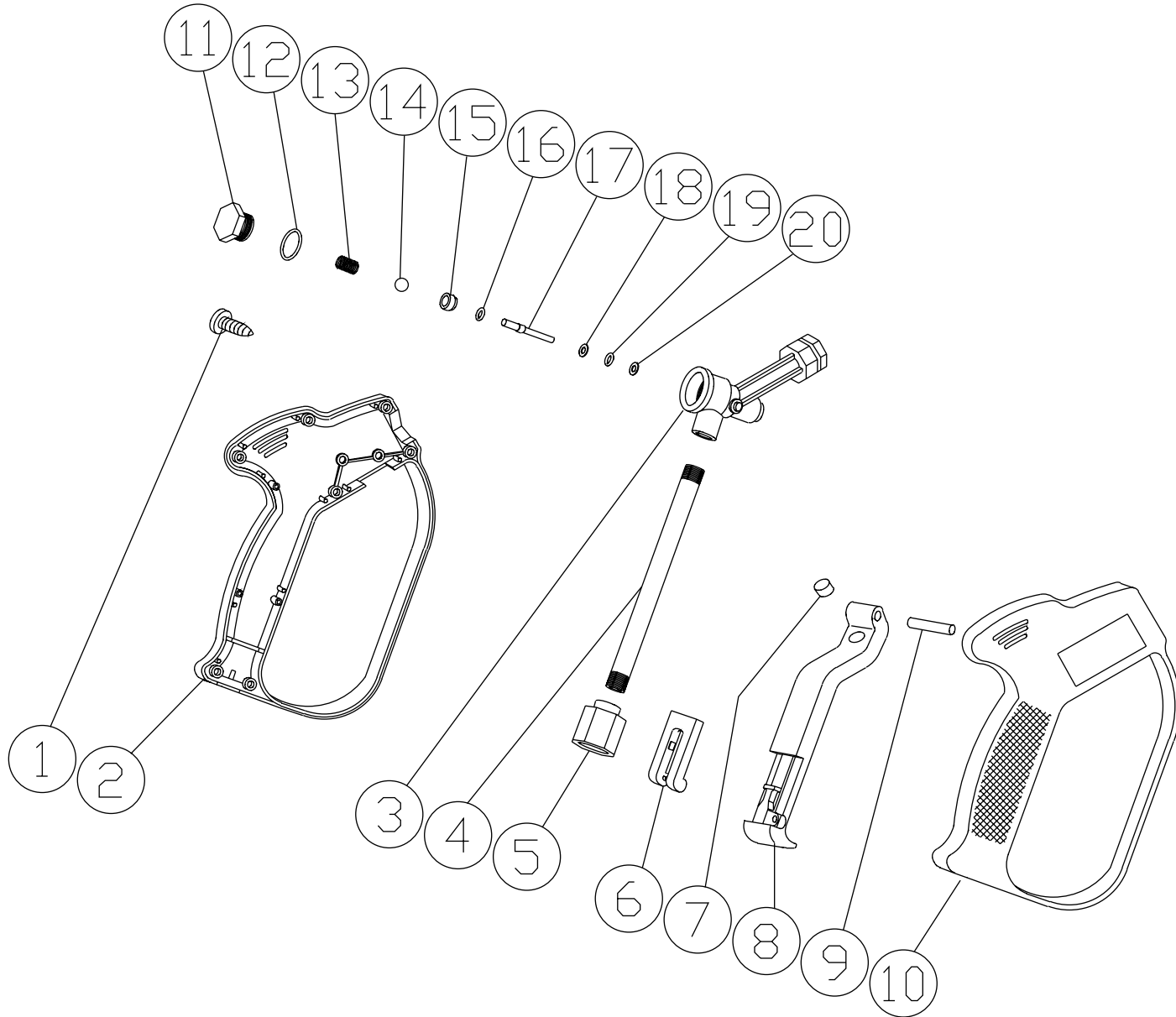
TORQUE SPECS.	
POSITION	FT/LBS
3	3,7
14	,74
15	22
20	15
21	14,7
23	7,4
24	5,1
26	29,4
33	15
37	36,8
61	7,4



3-0171-121597-DCE

PUMP ASSEMBLY (3-0171)											
REF. #	DESCRIPTION	PART #	QTY.	REF. #	DESCRIPTION	PART #	QTY.	REF. #	DESCRIPTION	PART #	QTY.
1	Regulator Knob	8-0489	1	25	Oriface	8-0121	1	49	Screw	27-8409	4
2	O-ring	25-0252	3	26	Nipple	46-0788	1	50	Spring Plate Retainer	43-0100	3
3	Unloader Guide- Brass	8-0490	1	27	O-ring	25-0120	1	51	Spring Plate	46-0794	3
4	O-ring	25-0012	1	28	Spring Conical	49-0020	1	52	Piston Assembly	46-0795	3
5	Unloader Stem	8-0491	1	29	Ball	50-0012	1	53	Spring	49-0139	3
6	Back-up Ring	25-0137	1	30	O-ring	25-0045	1	54	O-ring (See 70-0223)	N/A Sep.	6
7	O-ring	25-0434	1	31	Hose Barb	46-0789	1	55	O-ring (See 70-0223)	N/A Sep.	3
8	Seal Ring	25-0435	1	32	O-ring	25-0014	1	56	Retainer (See 70-0223)	N/A Sep.	3
9	Unloader Piston (See 70-0224)	N/A Sep.	1	33	Injector Housing	8-0174	1	57	Packing (See 70-0223)	N/A Sep.	3
10	Unloader Spring	49-0138	1	34	Piston Guide Body w/Thread	46-0797	1	58	O-ring (See 70-0223)	N/A Sep.	3
11	Spacer (See 70-0224)	N/A Sep.	1	35	O-ring	25-0332	1	59	Head Ring (See 70-0223)	N/A Sep.	3
12	Valve Seat (See 70-0224)	N/A Sep.	1	36	Roller Bearing Assembly	46-0790	2	60	Vent Plug	46-0798	1
13	O-ring	25-0119	3	37	Screw	27-8062	1	61	Screw	27-8404	4
14	Unloader Valve Screw	8-0492	1	38	Wobble Plate	46-0791	1	62	Oil Seal (See 70-0227)	N/A Sep.	3
15	Valve Cap (See 70-0225)	N/A Sep.	3	39	Bearing Bushing	48-0069	1	63	Plug	46-0796	1
16	O-ring (See 70-0225)	N/A Sep.	6	40	Crankshaft	46-0792	1	64	O-ring	25-0436	1
17	Valve Assembly (See 70-0226)	N/A Sep.	6	41	Crankcase	46-0793	1		Packing Kit (Inc. 3 each 54, 55, 57, 58, 59)	70-0222	
18	O-ring (See 70-0226)	N/A Sep.	6	42	Sight Glass	46-0114	1		Packing Assembly (Inc. 54-59)	70-0223	
19	Manifold	46-0785	1	43	Screw	27-0846	4		Valve Cap Kit (Inc. 6 each 15, 16)	70-0225	
20	Screw	27-8440	4	44	Lockwasher	29-0154	4		Valves Kit (Inc. 6 each 17, 18)	70-0226	
21	Screw	27-8433	1	45	Gas Mounting Flange	38-0021	1		Oil Seal Kit (Inc. 3 each 62)	70-0227	
22	Inlet Manifold	46-0786	1	46	Snap Ring	46-0105	1		Unloader Kit (Inc. 2-14)	70-0224	
23	Screw	27-8404	6	47	Oil Seal	26-0052	1				
24	Plug	46-0787	1	48	Washer	29-0153	4				

GUN ASSEMBLY (16-0190)



16-0190-110399-RD

GUN ASSEMBLY (16-0190)			
REF. #	DESCRIPTION	PART #	QTY.
1	Screw	27-8382	7
2	Plastic Housing (Left Side)	16-0336	1
3	Housing-Brass	23-0295	1
4	Pipe	21-0095	1
5	Nipple	23-0173	1
6	Trigger Safety Lock	16-0332	1
7	Trigger Rest	16-0333	1
8	Trigger	16-0335	1
9	Trigger Pin	43-0069	1
10	Plastic Housing (Right Side)	16-0334	1
11	Plug (See 70-0057)	N/A Sep.	1
12	O-ring (See 70-0057)	N/A Sep.	1
13	Spring (See 70-0057)	N/A Sep.	1
14	Ball (See 70-0057)	N/A Sep.	1
15	Seat (See 70-0057)	N/A Sep.	1
16	O-ring (See 70-0057)	N/A Sep.	1
17	Pin (See 70-0057)	N/A Sep.	1
18	Washer (See 70-0057)	N/A Sep.	1
19	O-ring (See 70-0057)	N/A Sep.	1
20	Back-up Ring (See 70-0057)	N/A Sep.	1
	Repair Kit (Includes 11-20)	70-0057	

NOTES

NOTES

