

THE WORK PRO[®]

by Mi-T-M[®]

8650 Enterprise Drive, Peosta IA 52068
319-556-7484 / Fax 319-556-1235

PARTS LIST FOR WP-2400-0MIB/1MIB

Engine Oil Grade:	Above 40°F=SAE30/ Below 40°F=SAE10W-30
Engine Oil Capacity:	20 oz.
Pump Oil Grade:	Mi-T-M Pump Oil #AW-4085-0016
Pump Oil Capacity:	6.5 oz.
Nozzle Size:	3.0

This Parts Listing has been compiled for your benefit. You can be assured your Mi-T-M Cold Water Pressure Washer was constructed and designed with quality and performance in mind using over 25 years experience in the pressure washer business. Each component has been rigorously tested to insure the highest level of acceptance.

The contents of this Parts Listing are based on the latest product information available at the time of publication. Mi-T-M reserves the right to make changes in price, color, materials, equipment, specifications or models at any time without notice.

WARNING

THIS IS A PROFESSIONAL HIGH PRESSURE, COLD WATER PRESSURE WASHER. CAUTION SHOULD BE OBSERVED WHEN USING OR REPAIRING THIS UNIT! READ AND FOLLOW THE SAFETY WARNINGS LISTED BELOW BEFORE ATTEMPTING ANY REPAIRS ON THIS PRESSURE WASHER!

SAFETY WARNINGS

1. NEVER alter or modify the equipment. Be sure any accessory items and system components being used will withstand the pressure developed. Use only genuine Mi-T-M parts for repair of your pressure washer. Failure to do so can cause hazardous operating conditions and will VOID warranty.
2. NEVER make adjustments on machinery while the unit is connected to the power source. Turning over the machinery by hand during adjustment or cleaning might start the machinery, causing serious injury to the operator.
3. Know how to stop and bleed pressures quickly. Be thoroughly familiar with controls.
4. Before servicing the unit, turn unit off, relieve the water pressure and allow the unit to cool down. Do not make repairs while the unit is running. Service in a clean, dry, flat area.
5. After testing the machine, DO NOT leave the pressurized unit unattended. Shut off the unit and release trapped pressure before leaving.

Table of Contents

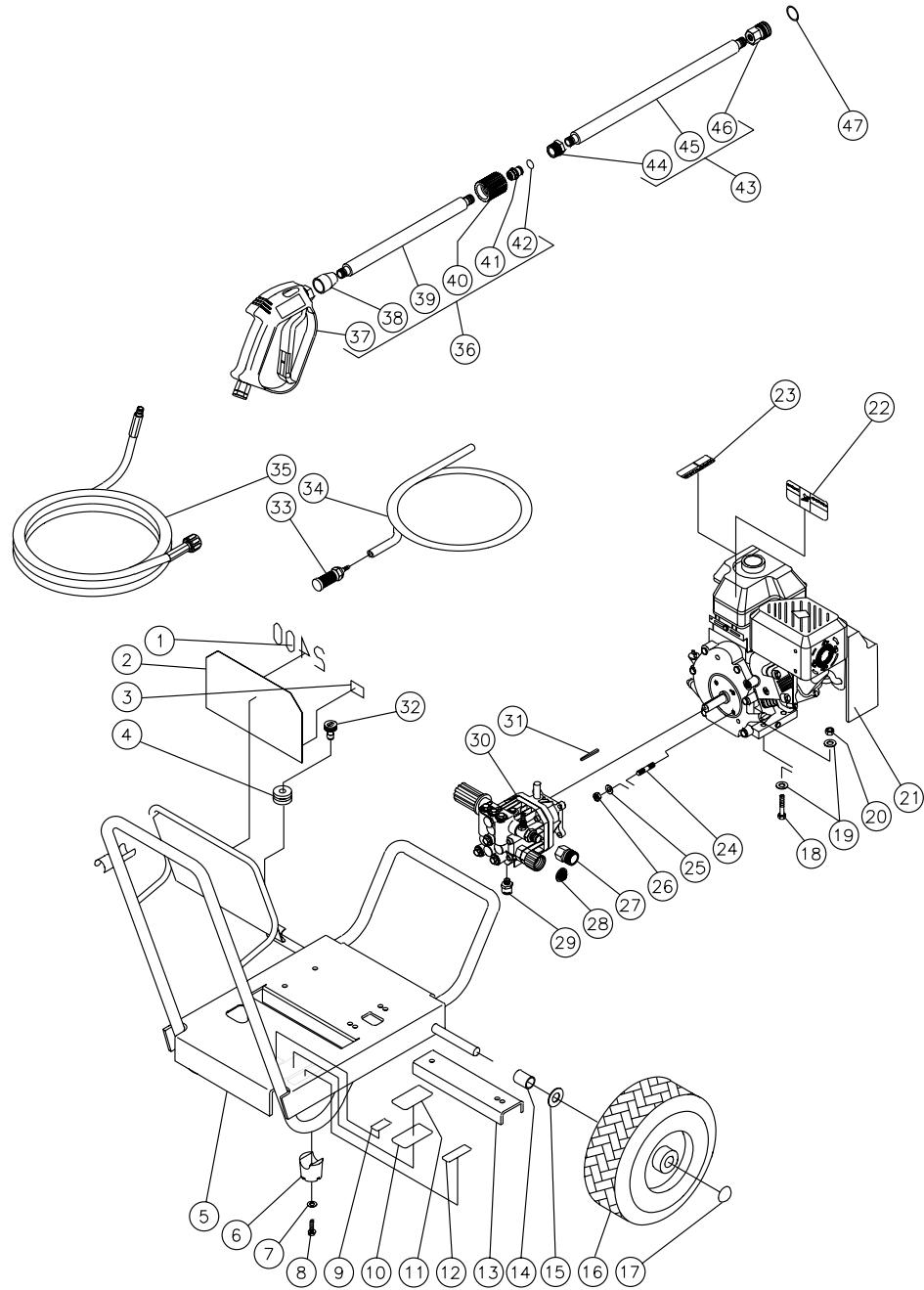
SPECIFICATIONS	3
FRAME ASSEMBLY FOR WP-2400-0MIB/1MIB	4
PUMP ASSEMBLY (3-0156)	6
GUN ASSEMBLY (16-0190)	8
NOTES	10

SPECIFICATIONS

WP-2400-0MIB/ 1MIB

MODEL NUMBER	WP-2400-0MIB	WP-2400-1MIB
Operating Pressure (PSI/Bar):	2400/165.5	
High Pressure Nozzle:	3.0	
Water Volume (GPM/lpm):	2.4/9.8	
Engine:	B & S Intek	B & S Intek I/C
Horsepower	5.5	5.5
Engine Type	4 Stroke, Overhead Valve, Single Cylinder	
Oil Type	Above 40 F = SAE30/Below 40 F = SAE10W-30	
Oil Capacity (oz./liters)	20/6	
Low Oil Protection	Oil Guard	
Fuel Type	Unleaded Gasoline 86 Octane Minimum	
Fuel Capacity (gallon/ liters)	.75/2.8	
Starting	Recoil	
Maximum No Load RPM	3600 (+/- 100) RPM	
Pump:	Direct Driven, Oil Bath, Triplex Piston	
Oil Type	Mi-T-M Pump Oil #AW-4085-0016	
Oil Capacity (oz./liters)	6.5/19	
Plungers	Ceramic Coated	
Manifold	Forged Brass	
Valves	Stainless Steel	
Unloader	Adjustable	
Heat Dump Valve	Relieves heated water during unloader bypass stage	
Detergent Injector	Adjustable low pressure down stream from pump	
Unit Net Weight (lbs/Kg)	80/36	
Unit Shipping Weight (lbs/Kg)	92/42	
Unit Net Dimension (in/cm)	30Lx21Wx26H/76Lx53.5Wx66H	
Unit Shipping Dimension (in/cm)	30.5Hx21.5Wx26.5H/77.5Lx54.5Wx67.5H	

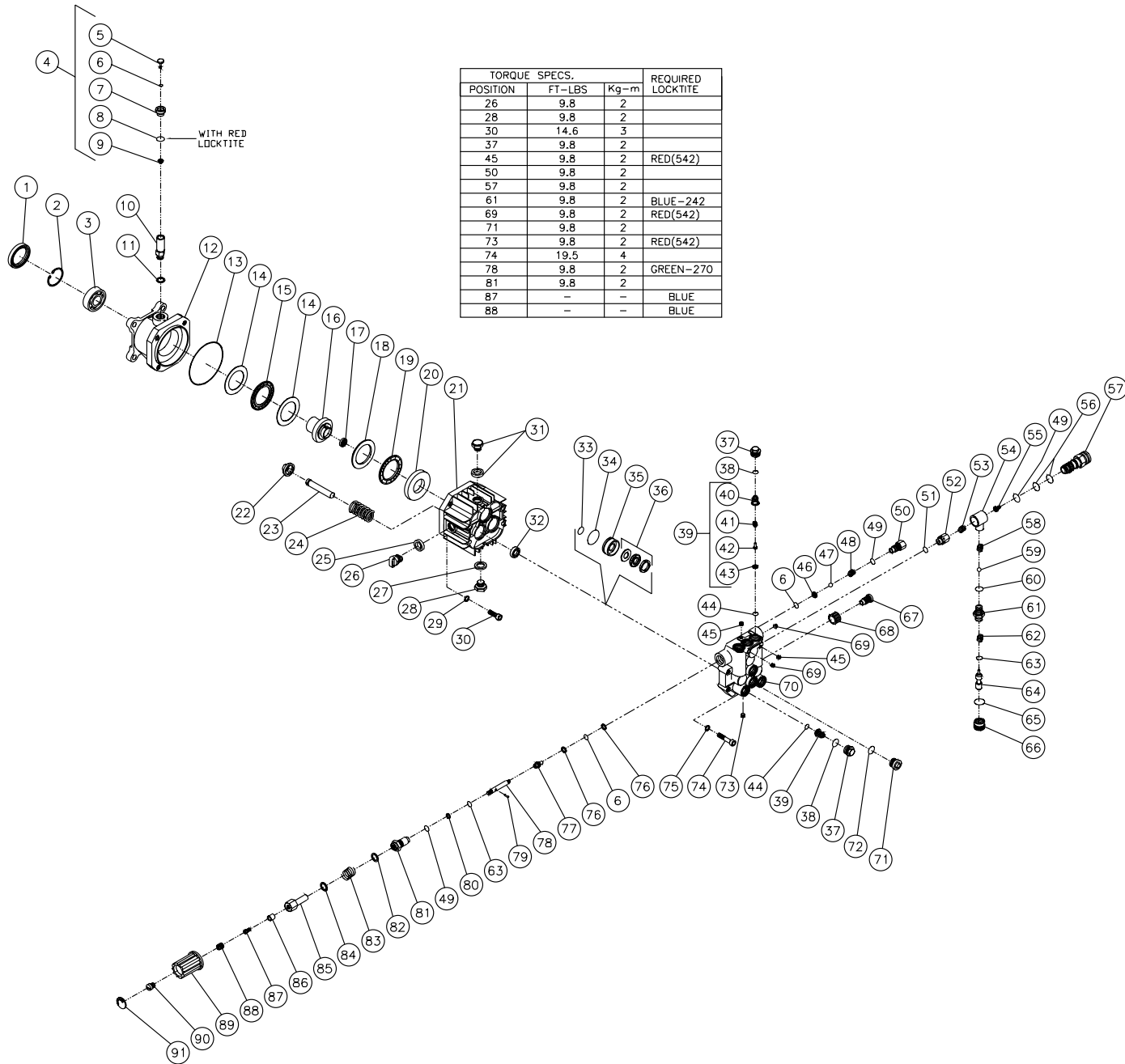
FRAME ASSEMBLY FOR WP-2400-0MIB/1MIB



WP-2400-0MIB/1MIB-052200-RD

FRAME ASSEMBLY FOR WP-2400-OMB/1MB							
REF. #	DESCRIPTION	PART #	QTY.	REF. #	DESCRIPTION	PART #	QTY.
1	Decal- 2400 Die Cut	34-0772	1	26	Nut	30-0004	4
2	Decal- Warning/Caution/Operating (E/S)	34-0737	1	27	Adapter	23-0279	1
3	Decal- American Flag	34-0521	1	28	Filter	19-0001	1
4	Grommet	33-0001	5	29	Heat Dump Valve	22-0208	1
5	Frame	5-0123A20	1	30	Pump	3-0156	1
6	Isolator	14-0066	2	31	Key	43-0073	1
7	Washer	28-0021	2	32	Nozzle- 1503	18-0150	1
8	Screw	27-3096	2	-	Nozzle- 2503	18-0303	1
9	Decal- Serial Number	N/A	1	-	Nozzle- 6540	18-0148	1
10	Decal- Data Plate	N/A	1	33	Detergent Strainer	19-0050	1
11	Decal- Clear Laminate	N/A	1	34	Detergent Hose *(Four Feet Required)	15-0021	1
12	Decal- Technical Service Number	34-0603	1	35	Pressure Hose	15-0169	1
13	Brace	19-0119A20	2	36	Gun/Wand Assembly (Inc. 37-42)	851-0245	1
14	Axle Spacer	20-0313A01	2	37	Gun Assembly	16-0190	1
15	Washer	28-0008	5	38	Protective Cover	62-0091	1
16	Wheel	14-0080	2	39	Insulated Lance	16-9001	1
17	Hubcap	33-0018	2	40	Hand Wheel	16-0303	1
18	Bolt	27-0070	4	41	Plug	23-0267	1
19	Washer	28-0003	8	42	O-ring	25-0291	1
20	Locknut	30-0157	4	43	Lance Assembly (Inc. 44-46)	851-0292	1
21	Engine- 5.5 H.P. Briggs & Stratton Intek	1-0106	1	44	Adapter	23-0266	1
-	Engine- 5.5 H.P. Briggs & Stratton Intek I/C	1-0108	1	45	Insulated Lance	16-9003	1
22	Decal- Warning: Muffler is Hot (E/S)	34-0598	1	46	Quick Connect Socket	17-0001	1
23	Decal- Caution: Allow to Cool (E/S)	34-0599	1	47	O-ring (Replacement)	25-0122	-
24	Stud	27-8889	4	*Must Order in One Foot Lengths			
25	Lockwasher	29-0007	4				

PUMP ASSEMBLY (3-0156)

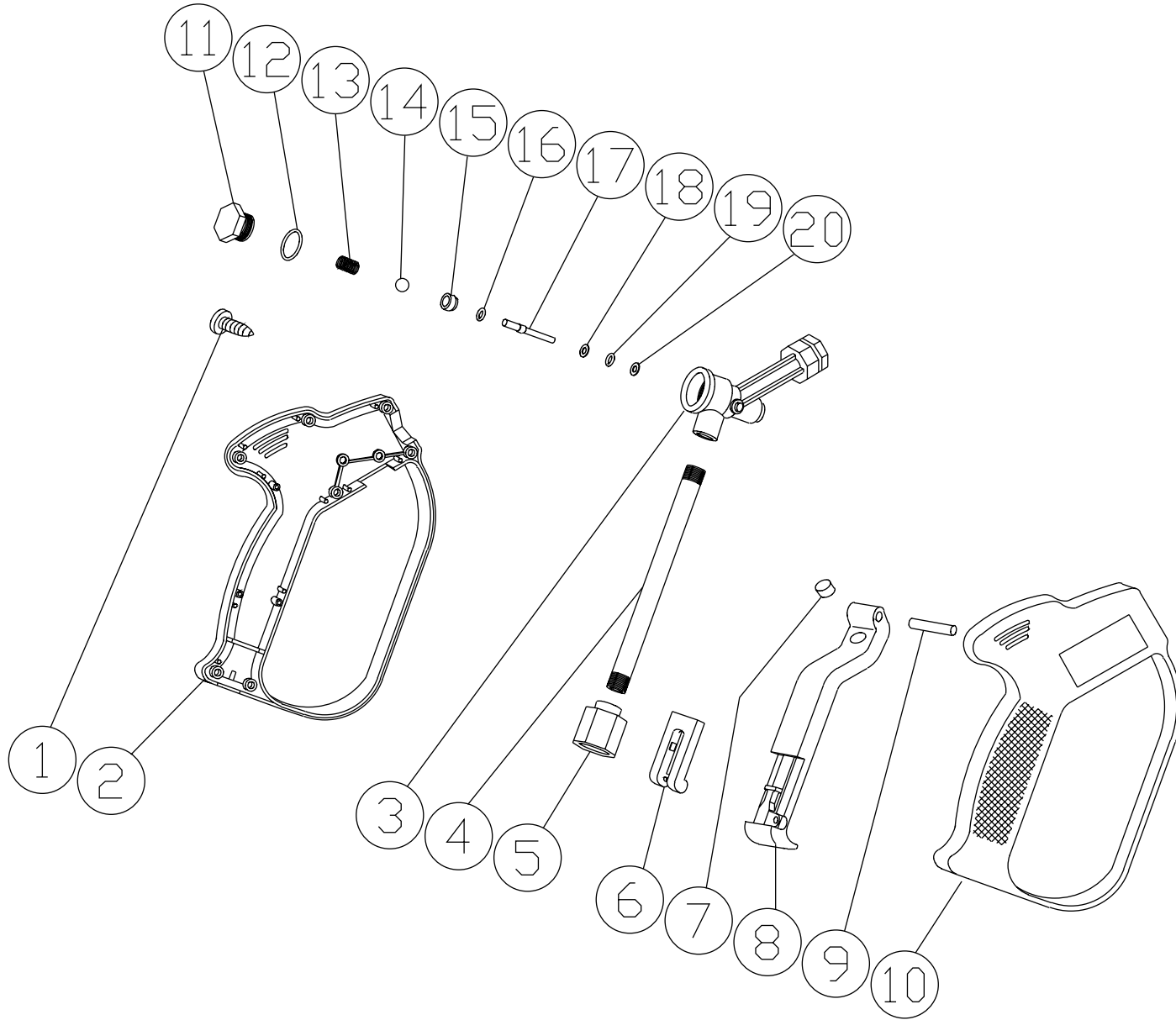


TORQUE SPECS.			REQUIRED LOCKTITE
POSITION	FT-LBS	Kg-m	
26	9.8	2	
28	9.8	2	
30	14.6	3	
37	9.8	2	
45	9.8	2	RED(542)
50	9.8	2	
57	9.8	2	
61	9.8	2	BLUE-242
69	9.8	2	RED(542)
71	9.8	2	
73	9.8	2	RED(542)
74	19.5	4	
78	9.8	2	GREEN-270
81	9.8	2	
87	-	-	BLUE
88	-	-	BLUE

3-0156-052200-RD

PUMP ASSEMBLY (3-0156)											
REF. #	DESCRIPTION	PART #	QTY.	REF. #	DESCRIPTION	PART #	QTY.	REF. #	DESCRIPTION	PART #	QTY.
1	Oil Seal	N/A	1	34	O-ring (See 70-0231)	N/A Sep.	3	67	Inlet Connector	46-0808	1
2	Snap Ring	N/A	1	35	V-Packing Retainer	46-0807	3	68	Garden Hose Connection	23-0304	1
3	Bearing	48-0074	1	36	V-Packing Assembly (See 70-0231)	N/A Sep.	3	69	Screw	27-8822	2
4	Vent Plug	46-0634	1	37	Valve Plug	46-0628	6	70	Manifold	46-0829	1
5	Piston Oil Vent	N/A	1	38	O-ring	25-0359	6	71	Manifold Plug	39-0072	1
6	O-ring	25-0230	2	39	Valve Complete (Inc. 40-43) (See 70-0235)	N/A Sep.	6	72	O-ring	25-0273	1
7	Cage Oil Vent (See 46-0634)	N/A Sep.	1	40	Valve Cage (See 70-0235)	N/A Sep.	6	73	Screw	27-8198	1
8	O-ring (See 46-0634)	N/A Sep.	1	41	Valve Spring (See 70-0235)	N/A Sep.	6	74	Bolt	27-8479	4
9	Spring Oil Vent (See 46-0634)	N/A Sep.	1	42	Valve Plate (See 70-0235)	N/A Sep.	6	75	Lockwasher	29-0155	4
10	Oil Fill Tube	46-0748	1	43	Valve Seat (See 70-0235)	N/A Sep.	6	76	Back-up Ring	25-0247	2
11	Gasket	46-0779	1	44	O-ring	25-0335	6	77	Piston By-Pass	46-0423	1
12	Flange	38-0060	1	45	Screw	27-8821	2	78	Pressure Regulator Pin (See 70-0120)	N/A Sep.	1
13	O-ring	25-0243	1	46	Valve Seat	46-0409	1	79	Roll Pin	46-0421	1
14	Washer	48-0035	2	47	Ball	46-0394	1	80	Back-up Ring	25-0246	1
15	Bearing	48-0030	1	48	Valve Spring	46-0411	1	81	Plug (See 70-0120)	N/A Sep.	1
16	Shaft	46-0939	1	49	O-ring	25-0255	3	82	Washer	46-0624	1
17	Plug	39-0082	1	50	Plug	46-0412	1	83	Pressure Regulation Spring	49-0109	1
18	Rear Bearing Disc	48-0047	1	51	O-ring	25-0334	1	84	Washer	46-0648	1
19	Bearing	48-0048	1	52	No Return Valve	46-0626	1	85	Pressure Regulation Screw	46-0623	1
20	Front Bearing Disc	48-0049	1	53	Spring	49-0110	1	86	Screw Support	27-8853	1
21	Pump Housing	46-0806	1	54	Injector Body	46-0620	1	87	Bolt	27-8810	1
22	Piston Spring Retainer	46-0362	3	55	Injector Nozzle	46-0415	1	88	Internal Screw	27-8852	1
23	Piston	46-0578	3	56	O-ring	25-0263	2	89	Pressure Regulation Knob	7-0091	1
24	Piston Spring	49-0081	3	57	Pressure Outlet	46-0941	1	90	Screw	27-8086	1
25	O-ring	25-0255	1	58	Spring (See 70-0005)	N/A Sep.	1	91	Cap	7-0088	1
26	Oil Sight Glass	46-0735	1	59	Ball (See 70-0005)	N/A Sep.	1		Oil Drain Plug (Inc. 27, 28)	70-0083	
27	Gasket	26-0168	2	60	O-ring (See 70-0005)	N/A Sep.	1		Oil Seal (Inc. 3 each 32)	70-0001	
28	Oil Drain Plug	39-0065	1	61	Injector Nipple	46-0417	1		Unloader Seat (Inc. 6, 46-50)	70-0110	
29	Lockwasher	29-0154	4	62	Injector Spring	49-0088	1		Unloader Stem (Inc. 6, 49, 63, 76-91)	70-0120	
30	Bolt	27-8194	4	63	O-ring (See 70-0120)	N/A Sep.	2		Injector Assembly (Inc. 49, 51-66)	70-0005	
31	Plug	39-0098	1	64	Injector Piston	46-0418	1		Injector Repair (Inc. 58-60, 63)	852-0056	
32	Oil Seal (See 70-0001)	N/A Sep.	3	65	Flexible Ring	25-0277	1		V-Packing Kit (Inc. 3 each 33, 34, 36)	70-0231	
33	O-ring (See 70-0231)	N/A Sep.	3	66	Inejctor Regulation Knob	46-0469	1		Valve Kit (Inc. 6 each 38, 39)	70-0235	

GUN ASSEMBLY (16-0190)



16-0190-110399-RD

GUN ASSEMBLY (16-0190)			
REF. #	DESCRIPTION	PART #	QTY.
1	Screw	27-8382	7
2	Plastic Housing (Left Side)	16-0336	1
3	Housing-Brass	23-0295	1
4	Pipe	21-0095	1
5	Nipple	23-0173	1
6	Trigger Safety Lock	16-0332	1
7	Trigger Rest	16-0333	1
8	Trigger	16-0335	1
9	Trigger Pin	43-0069	1
10	Plastic Housing (Right Side)	16-0334	1
11	Plug (See 70-0057)	N/A Sep.	1
12	O-ring (See 70-0057)	N/A Sep.	1
13	Spring (See 70-0057)	N/A Sep.	1
14	Ball (See 70-0057)	N/A Sep.	1
15	Seat (See 70-0057)	N/A Sep.	1
16	O-ring (See 70-0057)	N/A Sep.	1
17	Pin (See 70-0057)	N/A Sep.	1
18	Washer (See 70-0057)	N/A Sep.	1
19	O-ring (See 70-0057)	N/A Sep.	1
20	Back-up Ring (See 70-0057)	N/A Sep.	1
	Repair Kit (Includes 11-20)	70-0057	

NOTES

NOTES

