

# **THE WORK PRO<sup>®</sup>**

**by Mi-T-M<sup>®</sup>**

8650 Enterprise Drive, Peosta IA 52068  
319-556-7484 / Fax 319-556-1235

## **PARTS LIST FOR WP-2703-0MHB**

<b>Engine Oil Grade:</b>	<b>SAE 10W-30</b>
<b>Engine Oil Capacity:</b>	<b>20 oz.</b>
<b>Pump Oil Grade:</b>	<b>Mi-T-M Pump Oil #AW-4085-0016</b>
<b>Pump Oil Capacity:</b>	<b>14 oz.</b>
<b>Nozzle Size:</b>	<b>3.0</b>

This Parts Listing has been compiled for your benefit. You can be assured your Mi-T-M Cold Water Pressure Washer was constructed and designed with quality and performance in mind using over 25 years experience in the pressure washer business. Each component has been rigorously tested to insure the highest level of acceptance.

The contents of this Parts Listing are based on the latest product information available at the time of publication. Mi-T-M reserves the right to make changes in price, color, materials, equipment, specifications or models at any time without notice.

### **WARNING**

**THIS IS A PROFESSIONAL HIGH PRESSURE, COLD WATER PRESSURE WASHER. CAUTION SHOULD BE OBSERVED WHEN USING OR REPAIRING THIS UNIT! READ AND FOLLOW THE SAFETY WARNINGS LISTED BELOW BEFORE ATTEMPTING ANY REPAIRS ON THIS PRESSURE WASHER!**

### **SAFETY WARNINGS**

1. NEVER alter or modify the equipment. Be sure any accessory items and system components being used will withstand the pressure developed. Use only genuine Mi-T-M parts for repair of your pressure washer. Failure to do so can cause hazardous operating conditions and will VOID warranty.
2. NEVER make adjustments on machinery while the unit is connected to the engine without first removing the ignition cable from the spark plug. Turning over the machinery by hand during adjustment or cleaning might start the engine and machinery with it, causing serious injury to the operator.
3. Know how to stop and bleed pressures quickly. Be thoroughly familiar with controls.
4. Before servicing the unit, turn unit off, relieve the water pressure and allow the unit to cool down. Do not make repairs while the unit is running. Service in a clean, dry, flat area. Block the wheels to prevent the unit from moving. Be especially careful to properly dispose of any flammable materials.
5. After testing the machine, DO NOT leave the pressurized unit unattended. Shut off the unit and release trapped pressure before leaving.

### **Table of Contents**

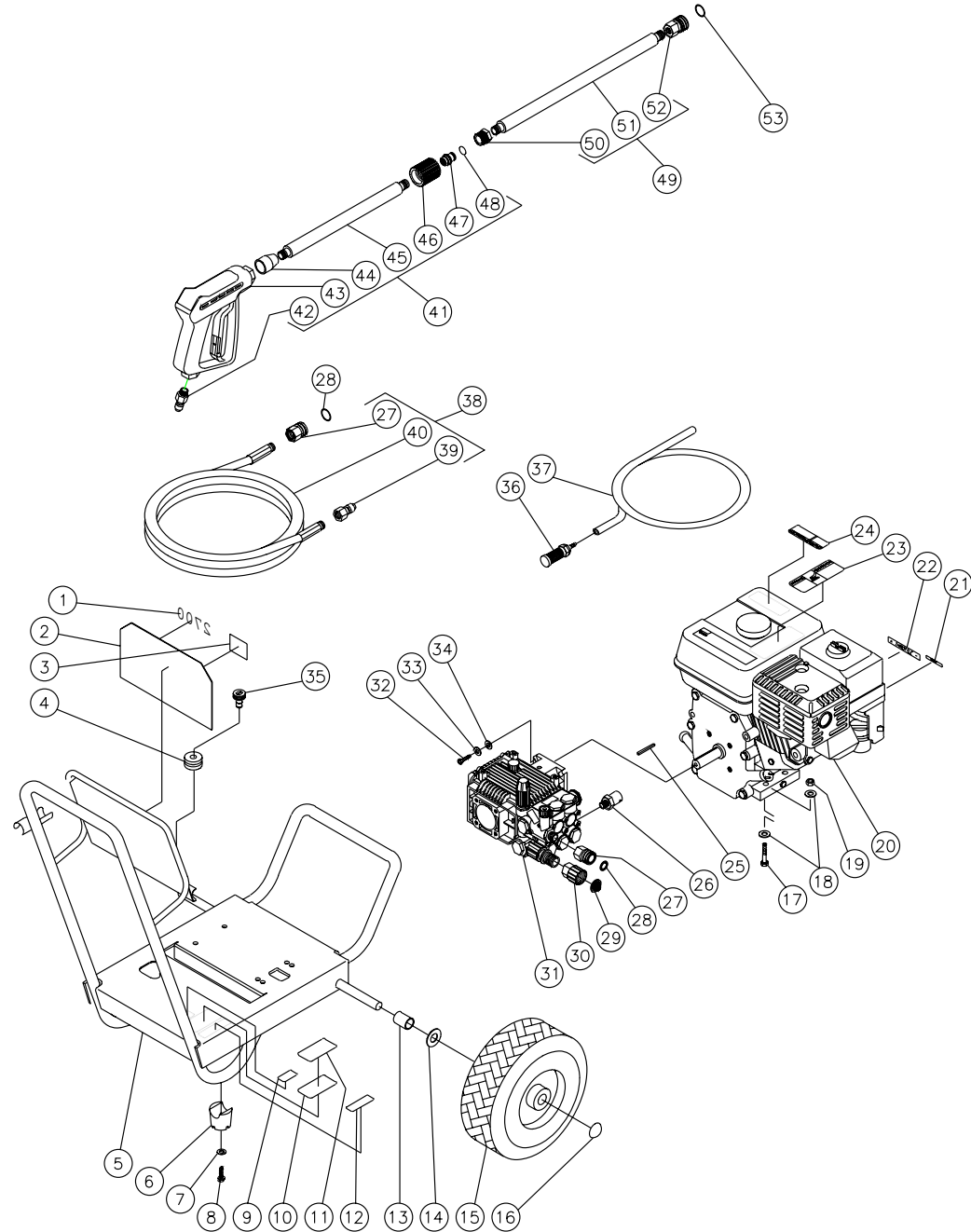
<b>SPECIFICATIONS .....</b>	<b>3</b>
<b>FRAME ASSEMBLY FOR WP-2703-0MHB .....</b>	<b>4</b>
<b>PUMP ASSEMBLY (3-0146) .....</b>	<b>6</b>
<b>GUN ASSEMBLY (16-0001) .....</b>	<b>8</b>
<b>NOTES .....</b>	<b>10</b>

## SPECIFICATIONS

WP-2703-0MHB

MODEL NUMBER	WP-2703-0MHB
<b>Operating Pressure (PSI/Bar):</b>	2700/186
<b>High Pressure Nozzle:</b>	3.0
<b>Water Volume (GPM/lpm):</b>	2.4/9
<b>Engine:</b>	Honda
Horsepower	6.5
Engine Type	4 Stroke, Overhead Valve, Single Cylinder
Oil Type	SAE10W-30
Oil Capacity (oz./liters)	20/6
Low Oil Protection	Oil Alert™
Fuel Type	Unleaded Gasoline 86 Octane Minimum
Fuel Capacity (gallon/ liters)	.95/3.6
Starting	Recoil
Maximum No Load RPM	3600 (+/- 100) RPM
<b>Pump:</b>	Direct Driven, Oil Bath, Triplex Piston
Oil Type	Mi-T-M Pump Oil #AW-4085-0016
Oil Capacity (oz./liters)	14/4
Plungers	Ceramic
Manifold	Forged Brass
Valves	Stainless Steel
Unloader	Adjustable
Heat Dump Valve	Relieves heated water during unloader bypass stage
Detergent Injector	Adjustable low pressure down stream from pump
<b>Unit Net Weight (lbs/Kg)</b>	85/38.5
<b>Unit Shipping Weight (lbs/Kg)</b>	105/48
<b>Unit Net Dimension (in/cm)</b>	30Lx21Wx26H/76Lx53.5Wx66H
<b>Unit Shipping Dimension (in/cm)</b>	30.5Lx21.5Wx26.5H/77.5Lx54.5Wx67.5H

# FRAME ASSEMBLY FOR WP-2703-0MHB

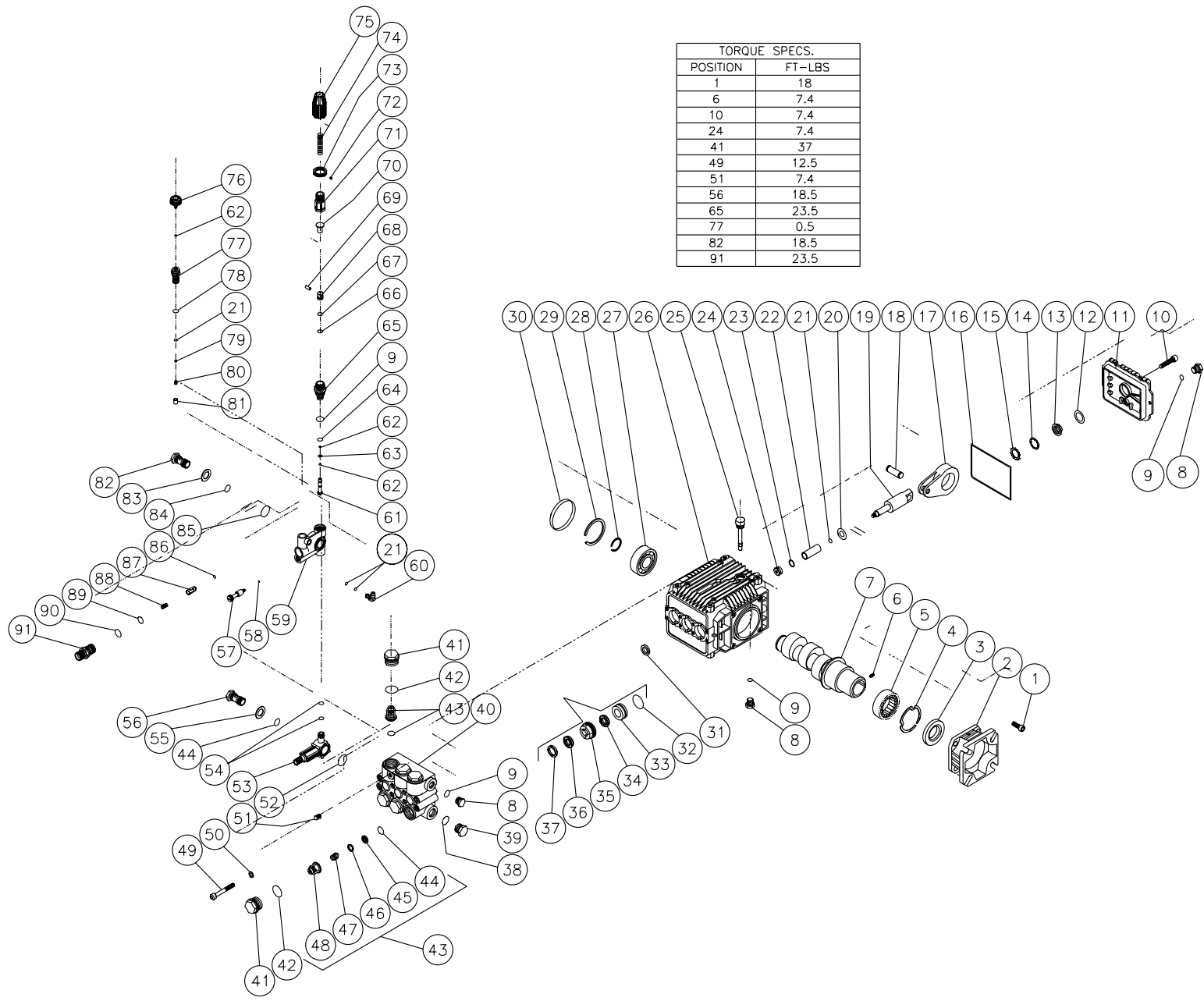


WP-2703-0MHB-052200-RD

FRAME ASSEMBLY FOR WP-2703-0MHB								
REF. #	DESCRIPTION	PART #	QTY.		REF. #	DESCRIPTION	PART #	QTY.
1	Decal- 2700 Die Cut	34-0774	1		29	Filter	19-0001	1
2	Decal- Warning/Caution/Operating (E/S)	34-0737	1		30	Garden Hose Swivel	23-0001	1
3	Grommet	33-0001	5		31	Pump	3-0146	1
4	Decal- American Flag	34-0521	1		32	Bolt	27-0092	4
5	Frame	5-0123A20	1		33	Lockwasher	29-0007	4
6	Isolator	14-0066	2		34	Washer	28-0022	4
7	Washer	28-0021	2		35	Nozzle- 1503	18-0150	1
8	Screw	27-3096	2		-	Nozzle- 2503	18-0303	1
9	Decal- Serial Number	N/A	1		-	Nozzle- 6540	18-0148	1
10	Decal- Data Plate	N/A	1		36	Detergent Strainer	19-0050	1
11	Decal- Clear Laminate	N/A	1		37	Detergent Hose *(Four Feet Required)	15-0021	1
12	Decal- Technical Service Number	34-0603	1		38	Pressure Hose Assembly (Inc. 27, 39, 40)	851-0007	1
13	Axle Spacer	20-0313A01	2		39	Quick Connect Plug	17-0006	1
14	Washer	28-0008	5		40	Pressure Hose	15-0003	1
15	Wheel	14-0080	2		41	Gun/Wand Assembly (Inc. 42-48)	851-0291	1
16	Hubcap	33-0018	2		42	Quick Connect Plug	17-0005	1
17	Bolt	27-0070	4		43	Gun	16-0001	1
18	Washer	28-0003	8		44	Protective Cover	62-0091	1
19	Locknut	30-0157	4		45	Insulated Lance	16-9001	1
20	Engine- 6.5 H.P. Honda	1-0088	1		46	Hand Wheel	16-0303	1
21	Decal- Choke Lever	34-0458	1		47	Plug	23-0267	1
22	Decal- Throttle +/-	34-0459	1		48	O-ring	25-0291	1
23	Decal- Warning: Muffler is Hot (E/S)	34-0598	1		49	Lance Assembly (Inc. 50-52)	851-0292	1
24	Decal- Caution: Allow to Cool (E/S)	34-0599	1		50	Adapter	23-0266	1
25	Key	43-0073	1		51	Insulated Lance	16-9003	1
26	Heat Dump Valve	22-0005	1		52	Quick Connect Socket	17-0001	1
27	Quick Connect Socket	17-0004	2		53	O-ring (Replacement Only)	25-0122	-
28	O-ring (Replacement Only)	25-0123	-		*Must Order in One Foot Lengths			

# PUMP ASSEMBLY (3-0146)

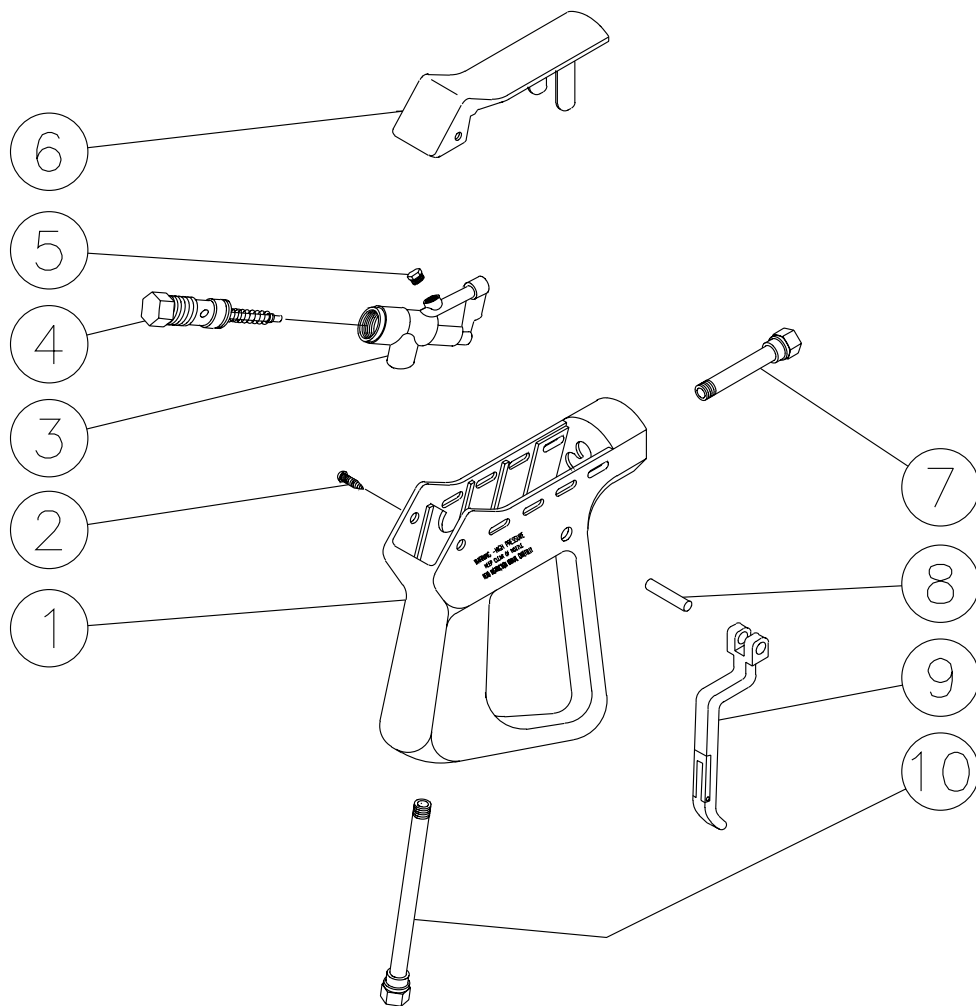
TORQUE SPECS.	
POSITION	FT-LBS
1	18
6	7.4
10	7.4
24	7.4
41	37
49	12.5
51	7.4
56	18.5
65	23.5
77	0.5
82	18.5
91	23.5



3-0146-051000-RD

PUMP ASSEMBLY (3-0146)											
REF. #	DESCRIPTION	PART #	QTY.	REF. #	DESCRIPTION	PART #	QTY.	REF. #	DESCRIPTION	PART #	QTY.
1	Bolt	27-8432	4	34	Low Pressure Seal (See 70-0181)	N/A Sep.	3	67	Back-up Ring (See 70-0164)	N/A Sep.	1
2	Flange	46-0715	1	35	Packing Retainer	46-0728	3	68	Poppet	8-0415	1
3	Oil Seal	26-0192	1	36	V-Packing (See 70-0181)	N/A Sep.	3	69	Pin	43-0087	1
4	Retaining Ring	46-0667	1	37	Support Ring (See 70-0182)	N/A Sep.	3	70	Spring Button	8-0416	1
5	Needle Bearing	48-0059	1	38	O-ring	25-0372	1	71	Guide Spring	8-0417	1
6	Set Screw	27-8886	1	39	Plug	39-0088	1	72	Set Screw	27-8876	1
7	Crankshaft	46-0718	1	40	Manifold	46-0730	1	73	Lock Nut	30-6015	1
8	Plug	39-0086	3	41	Valve Cap	39-0087	6	74	Spring	49-0119	1
9	O-ring	25-0325	4	42	O-ring	25-0160	6	75	Unloader Knob	7-0137	1
10	Bolt	27-8888	6	43	Single Valve Assy. (Inc. 43-47) (See 70-0161)	N/A Sep.	6	76	Adjustable Detergent Knob	7-0138	1
11	Crankcase Cover	46-0719	1	44	O-ring	25-0386	7	77	Injector Body	8-0418	1
12	O-ring	25-0370	1	45	Valve Seat (See 70-0161)	N/A Sep.	6	78	O-ring (See 70-0165)	N/A Sep.	1
13	Oil Sight Glass	46-0670	1	46	Valve Plate (See 70-0161)	N/A Sep.	6	79	Ball (See 70-0165)	N/A Sep.	1
14	Reflector	46-0824	1	47	Valve Spring (See 70-0161)	N/A Sep.	6	80	Spring (See 70-0165)	N/A Sep.	1
15	Retainer	46-0671	1	48	Valve Cage (See 70-0161)	N/A Sep.	6	81	Valve Cage (See 70-0165)	N/A Sep.	1
16	O-ring	25-0398	1	49	Bolt	27-8875	8	82	Outlet Adapter	8-0419	1
17	Connecting Rod	46-0720	3	50	Lockwasher	29-0153	8	83	Washer	28-1024	1
18	Piston Pin	46-0721	3	51	Plug	39-0097	1	84	O-ring (See 70-0164)	N/A Sep.	1
19	Plunger Rod	46-0722	3	52	O-ring	25-0400	1	85	O-ring (See 70-0164)	N/A Sep.	1
20	Slinger Washer	28-1022	3	53	Inlet By-Pass Adapter	51-0018	1	86	O-ring (See 70-0164)	N/A Sep.	1
21	O-ring	25-0371	6	54	O-ring (See 70-0164)	N/A Sep.	2	87	Check Valve	8-0458	1
22	Piston	46-0723	3	55	Washer	28-1023	1	88	Spring	49-0124	1
23	Washer	26-0187	3	56	Adapter	8-0410	1	89	O-ring (See 70-0164)	N/A Sep.	1
24	Nut	30-6016	3	57	Plug	39-0089	1	90	O-ring (See 70-0164)	N/A Sep.	1
25	Oil Dipstick	39-0090	1	58	O-ring (See 70-0164)	N/A Sep.	1	91	Injector Adapter	8-0420	1
26	Crankcase	46-0724	1	59	Unloader Body	8-0412	1		High Pressure Seal Kit (Inc. 3 each 32, 34, 36)	70-0181	
27	Bearing	48-0063	1	60	Detergent Injector	8-0411	1		Support Ring Kit (Includes 3 each 37)	70-0182	
28	Retaining Ring	46-0732	1	61	Piston	8-0413	1		Valve Kit (Includes 6 each 44-48)	70-0161	
29	Retaining Ring	46-0676	1	62	O-ring	25-0253	3		Unloader Repair Kit (Inc. 9, 21, 44, 52, 54, 58, 62, 64, 66, 67, 78-80, 84-90)	70-0164	
30	Bearing Cap	46-0725	1	63	Back-up Ring	25-0408	1		Injector Repair Kit (Inc. 21, 78-81)	70-0165	
31	Oil Seal	26-0193	3	64	O-ring (See 70-0164)	N/A Sep.	1		Unloader Complete (Inc. 9, 21, 44, 52-91)	8-0455	
32	O-ring	25-0399	3	65	Piston Guide	8-0414	1				
33	Low Pressure Retainer	46-0726	3	66	O-ring (See 70-0164)	N/A Sep.	1				

# GUN ASSEMBLY (16-0001)



16-0001-110399-RD



16-0001-110399-RD

<b>GUN ASSEMBLY (16-0001)</b>			
<b>REF. #</b>	<b>DESCRIPTION</b>	<b>PART #</b>	<b>QTY.</b>
1	Plastic Housing	16-0008	1
2	Screw	27-3230	2
3	Brass Housing	16-0012	1
4	Gun Repair Kit	70-0055	1
5	Brass Plug	39-0024	1
6	Plastic Cover	16-0009	1
7	Pipe Assembly	16-0013	1
8	Trigger Pin	16-0063	1
9	Trigger/Safety Lock-off	16-0010	1
10	Pipe Assembly- Inlet	16-0016	1
	Complete Gun Assembly	16-0001	1

---

NOTES

---

NOTES

