

THE WORK PRO[®]

by Mi-T-M[®]

8650 Enterprise Drive, Peosta IA 52068
319-556-7484 / Fax 319-556-1235

PARTS LIST FOR WP-3000-0MIB/VB WP-3003-0MHB

ENGINE OIL GRADE:

INTEK I/C AND VANGUARD:

HONDA:

**ABOVE 40°F = SAE30/BELOW 40°F= SAE10W-30
SAE10W-30**

ENGINE OIL CAPACITY:

INTEK I/C:

28 OZ.

VANGUARD:

40 OZ.

HONDA:

37 OZ.

PUMP OIL GRADE:

Mi-T-M PUMP OIL #AW-4085-0016

PUMP OIL CAPACITY:

14 OZ.

NOZZLE SIZE:

3.5

This Parts Listing has been compiled for your benefit. You can be assured your Mi-T-M Cold Water Pressure Washer was constructed and designed with quality and performance in mind using over 25 years experience in the pressure washer business. Each component has been rigorously tested to insure the highest level of acceptance.

The contents of this Parts Listing are based on the latest product information available at the time of publication. Mi-T-M reserves the right to make changes in price, color, materials, equipment, specifications or models at any time without notice.

WARNING

THIS IS A PROFESSIONAL HIGH PRESSURE, COLD WATER PRESSURE WASHER. CAUTION SHOULD BE OBSERVED WHEN USING OR REPAIRING THIS UNIT! READ AND FOLLOW THE SAFETY WARNINGS LISTED BELOW BEFORE ATTEMPTING ANY REPAIRS ON THIS PRESSURE WASHER!

SAFETY WARNINGS

1. NEVER alter or modify the equipment. Be sure any accessory items and system components being used will withstand the pressure developed. Use only genuine Mi-T-M parts for repair of your pressure washer. Failure to do so can cause hazardous operating conditions and will VOID warranty.
2. NEVER make adjustments on machinery while the unit is connected to the engine without first removing the ignition cable from the spark plug. Turning over the machinery by hand during adjustment or cleaning might start the engine and machinery with it, causing serious injury to the operator.
3. Know how to stop and bleed pressures quickly. Be thoroughly familiar with controls.
4. Before servicing the unit, turn unit off, relieve the water pressure and allow the unit to cool down. Do not make repairs while the unit is running. Service in a clean, dry, flat area. Block the wheels to prevent the unit from moving. Be especially careful to properly dispose of any flammable materials.
5. After testing the machine, DO NOT leave the pressurized unit unattended. Shut off the unit and release trapped pressure before leaving.

Table of Contents

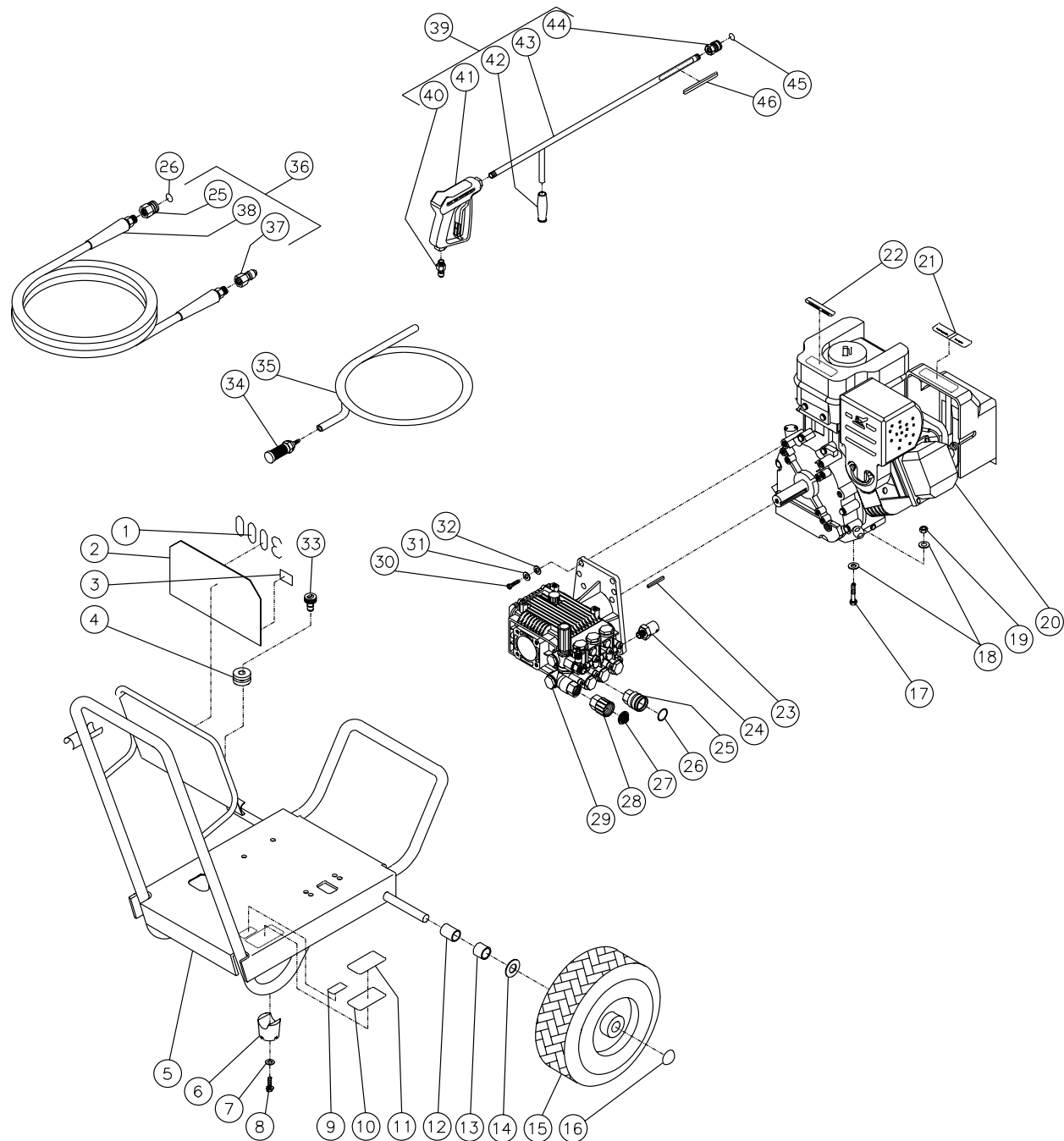
| | |
|--|-----------|
| SPECIFICATIONS | 3 |
| FRAME ASSEMBLY FOR WP-3000-0MIB | 4 |
| FRAME ASSEMBLY FOR WP-3000-0MVB | 6 |
| FRAME ASSEMBLY FOR WP-3003-0MHB | 8 |
| PUMP ASSEMBLY (3-0147) | 10 |
| GUN ASSEMBLY (16-0001) | 12 |
| NOTES | 14 |

SPECIFICATIONS

WP-3000-0MIB/0MVB & WP-3003-0MHB

| MODEL NUMBER | WP-3000-0MIB | WP-3000-0MVB | WP-3003-0MHB |
|--|--|----------------|--------------|
| Operating Pressure (PSI/Bar): | 3000/206 | | |
| High Pressure Nozzle: | 3.5 | | |
| Water Volume (GPM/lpm): | 3.0/11 | | |
| Engine: | B & S Intek I/C | B & S Vanguard | Honda |
| Horsepower | 10.0 | 9.0 | |
| Engine Type | 4 Stroke, Overhead Valve, Single Cylinder | | |
| Oil Type | Above 40 F = SAE30/Below 40 F = SAE10W-30 | | SAE10W-30 |
| Oil Capacity (oz./liters) | 24/.7 | 40/1.2 | 37/1.1 |
| Low Oil Protection | Oil Guard | | Oil Alert |
| Fuel Type | Unleaded Gasoline 86 Octane Minimum | | |
| Fuel Capacity (gallon/ liters) | 1.0/3.8 | 2.0/7.6 | 1.6/6.0 |
| Starting | Recoil | | |
| Maximum No Load RPM | 3600 (+/- 100) RPM | | |
| Pump: | Direct Driven, Oil Bath, Triplex Piston | | |
| Oil Type | Mi-T-M Pump Oil #AW-4085-0016 | | |
| Oil Capacity (oz./liters) | 14/.4 | | |
| Plungers | Ceramic | | |
| Manifold | Forged Brass | | |
| Valves | Stainless Steel | | |
| Unloader | Adjustable | | |
| Heat Dump Valve | Relieves heated water during unloader bypass stage | | |
| Detergent Injector | Adjustable low pressure down stream from pump | | |
| Unit Net Weight (lbs/Kg) | 113/51 | 123/56 | 121/55 |
| Unit Shipping Weight (lbs/Kg) | 167/76 | 177/80 | 175/79 |
| Unit Net Dimension (in/cm) | 35Lx22.5Wx26H/89Lx57Wx66H | | |
| Unit Shipping Dimension (in/cm) | 39.5Lx25Wx31.5H/100.5Lx63.5Wx80H | | |

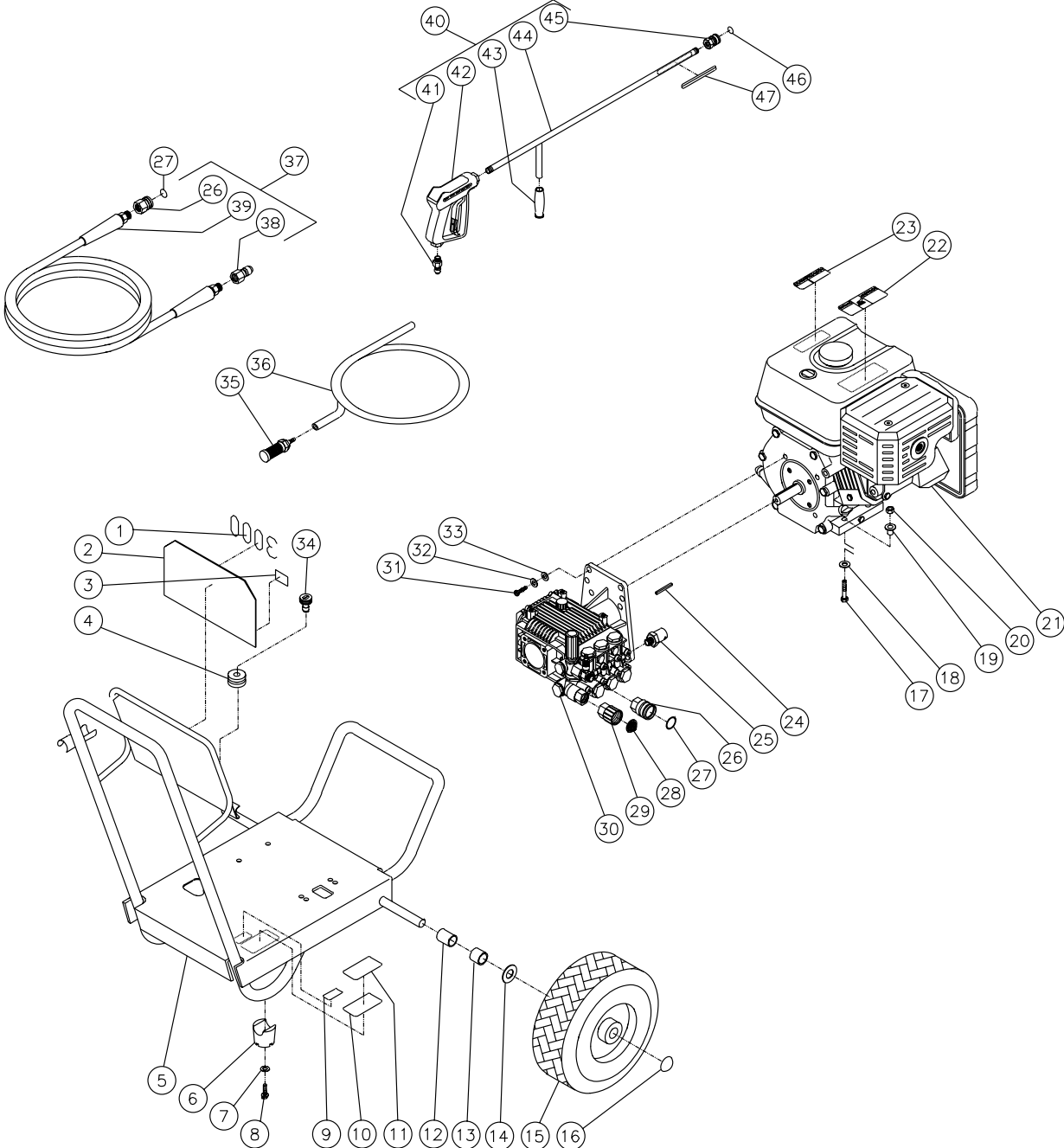
FRAME ASSEMBLY FOR WP-3000-0MIB



WP-3000-0MIB-061900-RD

| FRAME ASSEMBLY FOR WP-3000-0MIB | | | | | | | |
|---------------------------------|---|------------|------|---------------------------------|--|------------|------|
| REF. # | DESCRIPTION | PART # | QTY. | REF. # | DESCRIPTION | PART # | QTY. |
| 1 | Decal- 3000 Die Cut | 34-0775 | 1 | 26 | O-ring (Replacement) | 25-0123 | - |
| 2 | Decal- Warning/Caution/Operation (E/S) | 34-0737 | 1 | 27 | Filter | 19-0001 | 1 |
| 3 | Decal- American Flag | 34-0521 | 1 | 28 | Garden Hose Swivel | 23-0095 | 1 |
| 4 | Grommet | 33-0001 | 5 | 29 | Pump | 3-0147 | 1 |
| 5 | Frame | 5-0124A20 | 1 | 30 | Bolt | 27-0118 | 4 |
| 6 | Isolator | 14-0066 | 2 | 31 | Lockwasher | 29-0008 | 4 |
| 7 | Washer | 28-0021 | 2 | 32 | Washer | 28-0022 | 4 |
| 8 | Screw | 27-3096 | 2 | 33 | Nozzle- 1503.5 | 18-0258 | 1 |
| 9 | Decal- Serial Number | N/A | 1 | - | Nozzle- 2503.5 | 18-0259 | 1 |
| 10 | Decal- Data Plate | N/A | 1 | - | Nozzle- 6540 | 18-0148 | 1 |
| 11 | Decal- Clear Laminate | N/A | 1 | 34 | Detergent Strainer | 19-0050 | 1 |
| 12 | Axle Spacer | 20-0313A01 | 2 | 35 | Detergent Hose *(Four Feet Required) | 15-0021 | 1 |
| 13 | Axle Spacer | 20-0314A01 | 2 | 36 | Pressure Hose Assembly (Inc. 26, 38, 39) | 851-0007 | 1 |
| 14 | Washer | 28-0008 | 5 | 37 | Quick Connect Plug | 17-0006 | 1 |
| 15 | Wheel | 14-0080 | 2 | 38 | Pressure Hose | 15-0003 | 1 |
| 16 | Hubcap | 33-0018 | 2 | 39 | Gun/Wand Assembly (Inc. 41-45) | 851-0095 | 1 |
| 17 | Bolt | 27-0070 | 4 | 40 | Quick Connect Plug | 17-0005 | 1 |
| 18 | Washer | 28-0003 | 4 | 41 | Gun | 16-0001 | 1 |
| 19 | Locknut | 30-0157 | 4 | 42 | Grip Handle | 7-0002 | 1 |
| 20 | Engine- 10 H.P. Briggs & Stratton Intek I/C | 1-0116 | 1 | 43 | Wand | 16-0120A01 | 1 |
| 21 | Decal- Warning: Muffler Hot (E/S) | 34-0598 | 1 | 44 | Quick Connect Socket | 17-0001 | 1 |
| 22 | Decal- Caution: Allow to Cool (E/S) | 34-0599 | 1 | 45 | O-ring (Replacement) | 25-0122 | - |
| 23 | Key | 43-0078 | 1 | 46 | Decal- Warning: Risk of Injection (English Only) | 34-0572 | 1 |
| 24 | Heat Dump Valve | 22-0005 | 1 | *Must Order in One Foot Lengths | | | |
| 25 | Quick Connect Socket | 17-0004 | 2 | | | | |

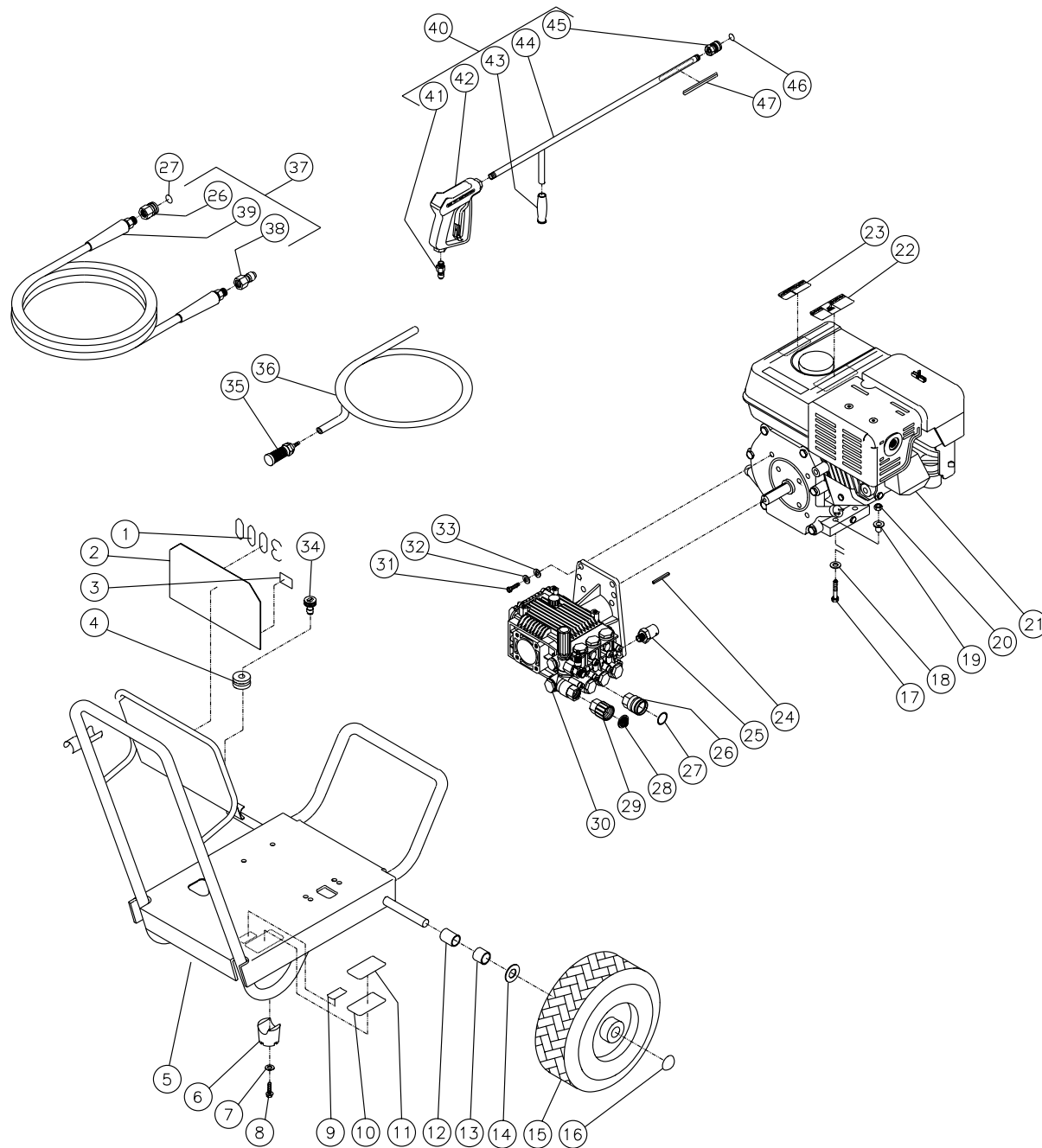
FRAME ASSEMBLY FOR WP-3000-0MVB



WP-3000-0MVB-052200-RD

| FRAME ASSEMBLY FOR WP-3000-0MVB | | | | | | | |
|---------------------------------|---|------------|------|---------------------------------|--|------------|------|
| REF. # | DESCRIPTION | PART # | QTY. | REF. # | DESCRIPTION | PART # | QTY. |
| 1 | Decal- 3000 Die Cut | 34-0775 | 1 | 26 | Quick Connect Socket | 17-0004 | 2 |
| 2 | Decal- Warning/Caution/Operation (E/S) | 34-0737 | 1 | 27 | O-ring (Replacement) | 25-0123 | - |
| 3 | Decal- American Flag | 34-0521 | 1 | 28 | Filter | 19-0001 | 1 |
| 4 | Grommet | 33-0001 | 5 | 29 | Garden Hose Swivel | 23-0095 | 1 |
| 5 | Frame | 5-0124A20 | 1 | 30 | Pump | 3-0147 | 1 |
| 6 | Isolator | 14-0066 | 2 | 31 | Bolt | 27-0118 | 4 |
| 7 | Washer | 28-0021 | 2 | 32 | Lockwasher | 29-0008 | 4 |
| 8 | Screw | 27-3096 | 2 | 33 | Washer | 28-0022 | 4 |
| 9 | Decal- Serial Number | N/A | 1 | 34 | Nozzle- 1503.5 | 18-0258 | 1 |
| 10 | Decal- Data Plate | N/A | 1 | - | Nozzle- 2503.5 | 18-0259 | 1 |
| 11 | Decal- Clear Laminate | N/A | 1 | - | Nozzle- 6540 | 18-0148 | 1 |
| 12 | Axle Spacer | 20-0313A01 | 2 | 35 | Detergent Strainer | 19-0050 | 1 |
| 13 | Axle Spacer | 20-0314A01 | 2 | 36 | Detergent Hose *(Four Feet Required) | 15-0021 | 1 |
| 14 | Washer | 28-0008 | 5 | 37 | Pressure Hose Assembly (Inc. 26, 38, 39) | 851-0007 | 1 |
| 15 | Wheel | 14-0080 | 2 | 38 | Quick Connect Plug | 17-0006 | 1 |
| 16 | Hubcap | 33-0018 | 2 | 39 | Pressure Hose | 15-0003 | 1 |
| 17 | Bolt | 27-0070 | 4 | 40 | Gun/Wand Assembly (Inc. 41-45) | 851-0095 | 1 |
| 18 | Washer | 28-0003 | 4 | 41 | Quick Connect Plug | 17-0005 | 1 |
| 19 | Shim | 33-0169 | 4 | 42 | Gun | 16-0001 | 1 |
| 20 | Locknut | 30-0157 | 4 | 43 | Grip Handle | 7-0002 | 1 |
| 21 | Engine- 9.0 H.P. Briggs & Stratton Vanguard | 1-0070 | 1 | 44 | Wand | 16-0120A01 | 1 |
| 22 | Decal- Warning: Muffler Hot (E/S) | 34-0598 | 1 | 45 | Quick Connect Socket | 17-0001 | 1 |
| 23 | Decal- Caution: Allow to Cool (E/S) | 34-0599 | 1 | 46 | O-ring (Replacement) | 25-0122 | - |
| 24 | Key | 43-0078 | 1 | 47 | Decal- Warning: Risk of Injection (English Only) | 34-0572 | 1 |
| 25 | Heat Dump Valve | 22-0005 | 1 | *Must Order in One Foot Lengths | | | |

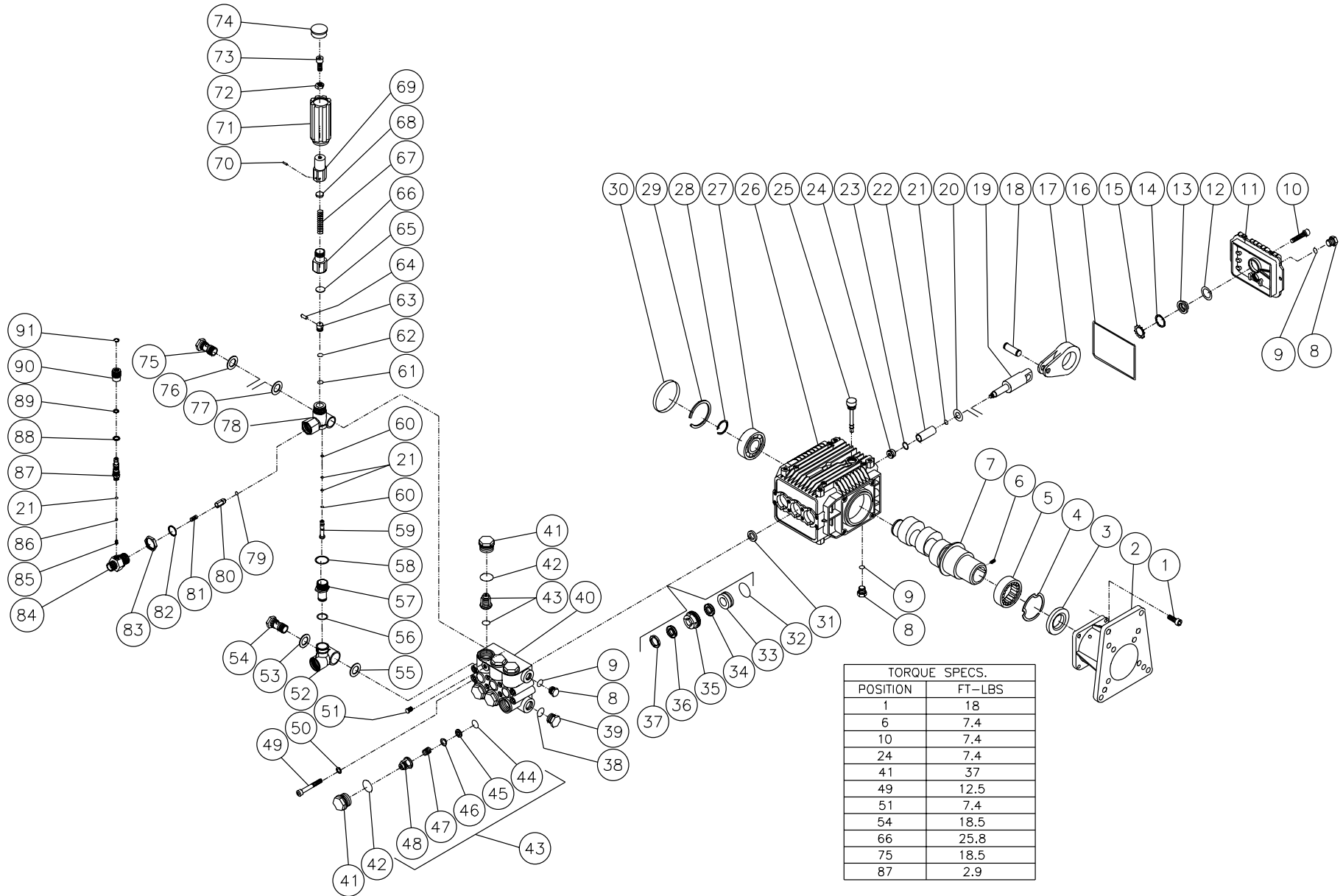
FRAME ASSEMBLY FOR WP-3003-0MHB



WP-3003-0MHB-052200-RD

| FRAME ASSEMBLY FOR WP-3003-0MHB | | | | | | | |
|---------------------------------|--|------------|------|---------------------------------|--|------------|------|
| REF. # | DESCRIPTION | PART # | QTY. | REF. # | DESCRIPTION | PART # | QTY. |
| 1 | Decal- 3000 Die Cut | 34-0775 | 1 | 26 | Quick Connect Socket | 17-0004 | 2 |
| 2 | Decal- Warning/Caution/Operation (E/S) | 34-0737 | 1 | 27 | O-ring (Replacement) | 25-0123 | - |
| 3 | Decal- American Flag | 34-0521 | 1 | 28 | Filter | 19-0001 | 1 |
| 4 | Grommet | 33-0001 | 5 | 29 | Garden Hose Swivel | 23-0095 | 1 |
| 5 | Frame | 5-0124A20 | 1 | 30 | Pump | 3-0147 | 1 |
| 6 | Isolator | 14-0066 | 2 | 31 | Bolt | 27-0118 | 4 |
| 7 | Washer | 28-0021 | 2 | 32 | Lockwasher | 29-0008 | 4 |
| 8 | Screw | 27-3096 | 2 | 33 | Washer | 28-0022 | 4 |
| 9 | Decal- Serial Number | N/A | 1 | 34 | Nozzle- 1503.5 | 18-0258 | 1 |
| 10 | Decal- Data Plate | N/A | 1 | - | Nozzle- 2503.5 | 18-0259 | 1 |
| 11 | Decal- Clear Laminate | N/A | 1 | - | Nozzle- 6540 | 18-0148 | 1 |
| 12 | Axle Spacer | 20-0313A01 | 2 | 35 | Detergent Strainer | 19-0050 | 1 |
| 13 | Axle Spacer | 20-0314A01 | 2 | 36 | Detergent Hose *(Four Feet Required) | 15-0021 | 1 |
| 14 | Washer | 28-0008 | 5 | 37 | Pressure Hose Assembly (Inc. 26, 38, 39) | 851-0007 | 1 |
| 15 | Wheel | 14-0080 | 2 | 38 | Quick Connect Plug | 17-0006 | 1 |
| 16 | Hubcap | 33-0018 | 2 | 39 | Pressure Hose | 15-0003 | 1 |
| 17 | Bolt | 27-0070 | 4 | 40 | Gun/Wand Assembly (Inc. 41-45) | 851-0095 | 1 |
| 18 | Washer | 28-0003 | 4 | 41 | Quick Connect Plug | 17-0005 | 1 |
| 19 | Shim | 33-0169 | 4 | 42 | Gun | 16-0001 | 1 |
| 20 | Locknut | 30-0157 | 4 | 43 | Grip Handle | 7-0002 | 1 |
| 21 | Engine- 9.0 H.P. Honda | 1-0065 | 1 | 44 | Wand | 16-0120A01 | 1 |
| 22 | Decal- Warning: Muffler Hot (E/S) | 34-0598 | 1 | 45 | Quick Connect Socket | 17-0001 | 1 |
| 23 | Decal- Caution: Allow to Cool (E/S) | 34-0599 | 1 | 46 | O-ring (Replacement) | 25-0122 | - |
| 24 | Key | 43-0078 | 1 | 47 | Decal- Warning: Risk of Injection (English Only) | 34-0572 | 1 |
| 25 | Heat Dump Valve | 22-0005 | 1 | *Must Order in One Foot Lengths | | | |

PUMP ASSEMBLY (3-0147)

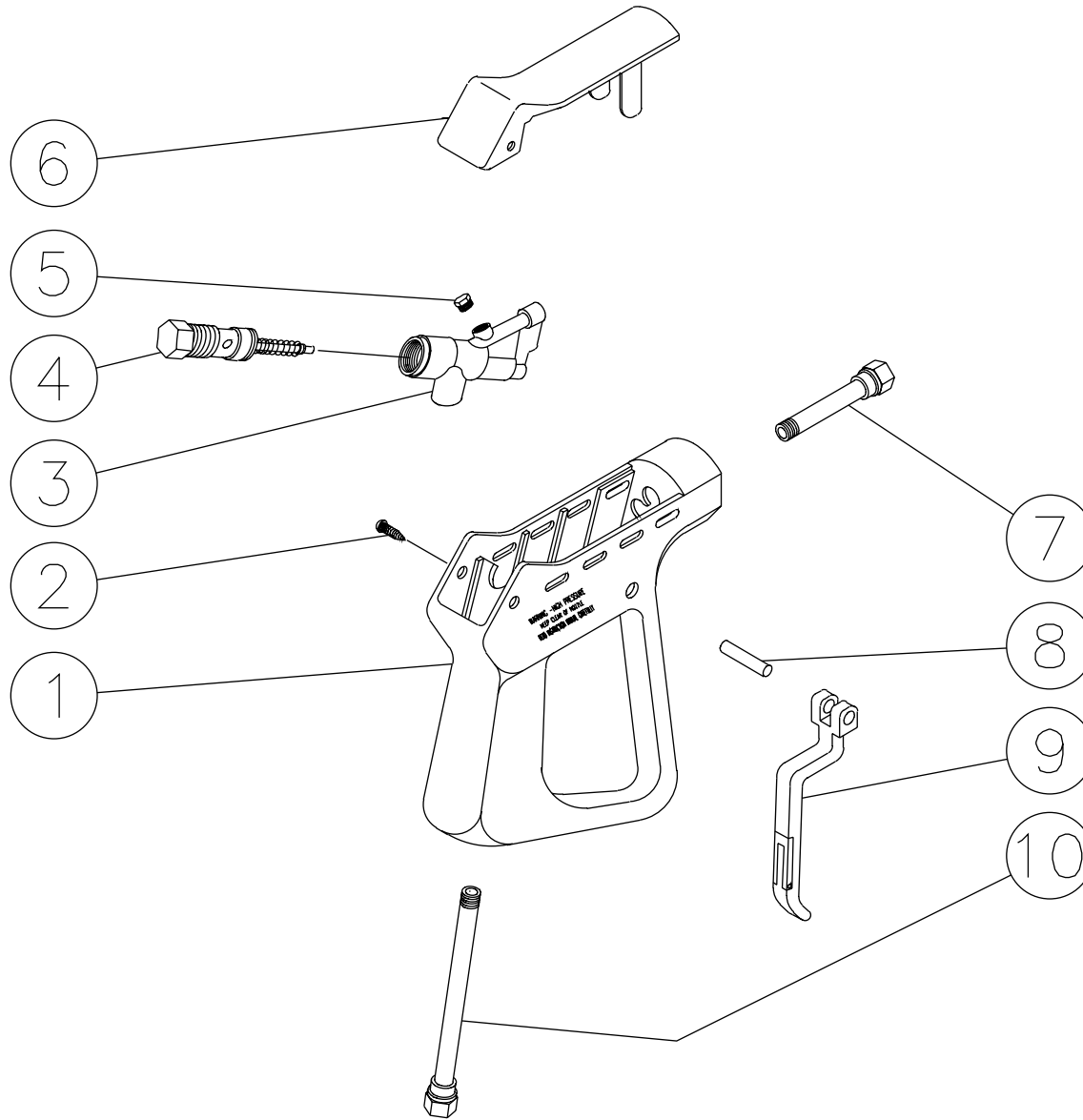


| TORQUE SPECS. | |
|---------------|--------|
| POSITION | FT-LBS |
| 1 | 18 |
| 6 | 7.4 |
| 10 | 7.4 |
| 24 | 7.4 |
| 41 | 37 |
| 49 | 12.5 |
| 51 | 7.4 |
| 54 | 18.5 |
| 66 | 25.8 |
| 75 | 18.5 |
| 87 | 2.9 |

3-0147-051000-RD

| PUMP ASSEMBLY (3-0147) | | | | | | | | | | | |
|------------------------|-----------------------|---------|------|--------|--|----------|------|--------|---|----------|------|
| REF. # | DESCRIPTION | PART # | QTY. | REF. # | DESCRIPTION | PART # | QTY. | REF. # | DESCRIPTION | PART # | QTY. |
| 1 | Bolt | 27-8432 | 4 | 34 | Low Pressure Seal (See 70-0181) | N/A Sep. | 3 | 67 | Spring | 49-0132 | 1 |
| 2 | Flange | 46-0714 | 1 | 35 | Packing Retainer | 46-0728 | 3 | 68 | Spring Button | 8-0475 | 1 |
| 3 | Oil Seal | 26-0192 | 1 | 36 | V-Packing (See 70-0181) | N/A Sep. | 3 | 69 | Adjustable Barrel | 8-0476 | 1 |
| 4 | Retaining Ring | 46-0667 | 1 | 37 | Support Ring (See 70-0182) | N/A Sep. | 3 | 70 | Pin | 8-0477 | 1 |
| 5 | Needle Bearing | 48-0059 | 1 | 38 | O-ring | 25-0372 | 1 | 71 | Unloader Knob | 7-0141 | 1 |
| 6 | Set Screw | 27-8886 | 1 | 39 | Plug | 39-0088 | 1 | 72 | Nut | 30-3025 | 1 |
| 7 | Crankshaft | 46-0717 | 1 | 40 | Manifold | 46-0730 | 1 | 73 | Bolt | 27-8433 | 1 |
| 8 | Plug | 39-0086 | 3 | 41 | Valve Cap | 39-0087 | 6 | 74 | Cap | 7-0142 | 1 |
| 9 | O-ring | 25-0325 | 3 | 42 | O-ring | 25-0160 | 6 | 75 | Adaptor | 8-0448 | 1 |
| 10 | Bolt | 27-8888 | 6 | 43 | Single Valve Assembly (Inc. 44-48) (See 70-0161) | N/A Sep. | 6 | 76 | Washer | 8-0449 | 1 |
| 11 | Crankcase Cover | 46-0719 | 1 | 44 | O-ring | 25-0386 | 6 | 77 | Washer | 8-0450 | 1 |
| 12 | O-ring | 25-0370 | 1 | 45 | Valve Seat (See 70-0161) | N/A Sep. | 6 | 78 | Unloader Body | 8-0451 | 1 |
| 13 | Oil Sight Glass | 46-0670 | 1 | 46 | Valve Plate (See 70-0161) | N/A Sep. | 6 | 79 | O-ring | 25-0437 | 1 |
| 14 | Reflector | 46-0824 | 1 | 47 | Valve Spring (See 70-0161) | N/A Sep. | 6 | 80 | Check Valve | 8-0454 | 1 |
| 15 | Retainer | 46-0671 | 1 | 48 | Valve Cage (See 70-0161) | N/A Sep. | 6 | 81 | Spring | 49-0123 | 1 |
| 16 | O-ring | 25-0398 | 1 | 49 | Head Bolt | 27-8875 | 8 | 82 | O-ring (See 70-0232) | 25-0372 | 1 |
| 17 | Connecting Rod | 46-0720 | 3 | 50 | Lockwasher | 29-0153 | 8 | 83 | Tightener Nut | 8-0497 | 1 |
| 18 | Piston Pin | 46-0721 | 3 | 51 | Plug | 39-0097 | 1 | 84 | Injector Adapter | 8-0498 | 1 |
| 19 | Plunger Rod | 46-0722 | 3 | 52 | Inlet By-Pass Adapter | 8-0437 | 1 | 85 | Spring (See 70-0232) | N/A Sep. | 1 |
| 20 | Washer | 28-1022 | 3 | 53 | Washer | 8-0440 | 1 | 86 | Ball (See 70-0232) | N/A Sep. | 1 |
| 21 | O-ring | 25-0371 | 6 | 54 | Adapter | 8-0438 | 1 | 87 | Barb | 8-0499 | 1 |
| 22 | Piston | 46-0723 | 3 | 55 | Washer | 8-0439 | 1 | 88 | O-ring (See 70-0232) | N/A Sep. | 1 |
| 23 | Washer | 26-0187 | 3 | 56 | O-ring (See 70-0180) | N/A Sep. | 1 | 89 | O-ring (See 70-0232) | N/A Sep. | 1 |
| 24 | Piston Nut | 30-6016 | 3 | 57 | Nipple | 8-0441 | 1 | 90 | Adjustable Detergent Knob | 7-0152 | 1 |
| 25 | Oil Dipstick | 39-0090 | 1 | 58 | O-ring (See 70-0180) | N/A Sep. | 1 | 91 | Snap Ring | N/A Sep. | 1 |
| 26 | Crankcase | 46-0724 | 1 | 59 | Piston | 8-0442 | 1 | | High Pressure Seal Kit (Inc. 3 each 32, 34, 36) | 70-0181 | |
| 27 | Bearing | 48-0063 | 1 | 60 | Back-up Ring (See 70-0180) | N/A Sep. | 2 | | Support Ring Kit (Includes 3 each 37) | 70-0182 | |
| 28 | Retaining Ring | 46-0732 | 1 | 61 | O-ring (See 70-0180) | N/A Sep. | 1 | | Valve Kit (Includes 6 each 44-48) | 70-0161 | |
| 29 | Retaining Ring | 46-0676 | 1 | 62 | Back-up Ring (See 70-0180) | N/A Sep. | 1 | | Unloader Repair Kit (Inc. 21, 56, 58, 60-62, 79) | 70-0180 | |
| 30 | Bearing Cap | 46-0725 | 1 | 63 | Poppet | 8-0443 | 1 | | Injector Kit (Inc. 21, 82-91) | 70-0232 | |
| 31 | Oil Seal | 26-0193 | 3 | 64 | Pin | 8-0444 | 1 | | Unloader Complete (Inc. 21, 52-81) | 8-0456 | |
| 32 | O-ring | 25-0399 | 3 | 65 | Spring Button | 8-0445 | 1 | | Injector Repair Kit (Inc. 21, 82, 85, 86, 88, 89, 91) | 70-0233 | |
| 33 | Low Pressure Retainer | 46-0726 | 3 | 66 | Guide Spring | 8-0474 | 1 | | | | |

GUN ASSEMBLY (16-0001)



16-0001-110399-RD

| GUN ASSEMBLY (16-0001) | | | |
|-------------------------------|-------------------------|---------------|-------------|
| REF. # | DESCRIPTION | PART # | QTY. |
| 1 | Plastic Housing | 16-0008 | 1 |
| 2 | Screw | 27-3230 | 2 |
| 3 | Brass Housing | 16-0012 | 1 |
| 4 | Gun Repair Kit | 70-0055 | 1 |
| 5 | Brass Plug | 39-0024 | 1 |
| 6 | Plastic Cover | 16-0009 | 1 |
| 7 | Pipe Assembly | 16-0013 | 1 |
| 8 | Trigger Pin | 16-0063 | 1 |
| 9 | Trigger/Safety Lock-off | 16-0010 | 1 |
| 10 | Pipe Assembly- Inlet | 16-0016 | 1 |
| | Complete Gun Assembly | 16-0001 | 1 |

NOTES

NOTES

