

THE

WORK PRO[®]

by Mi-T-M[®]

8650 Enterprise Drive, Peosta IA 52068
563-556-7484 / Fax 563-556-1235

PARTS LIST FOR
WP-3300-0MVB
WP-3304-0MHB

ENGINE OIL GRADE:

VANGUARD:

ABOVE 40°F = SAE30

BELOW 40°F = SAE10W-30

SAE10W-30

HONDA:

ENGINE OIL CAPACITY:

VANGUARD:

51 oz.

HONDA:

37 oz.

PUMP OIL GRADE:

Mi-T-M PUMP OIL #AW-4085-0016

PUMP OIL CAPACITY:

18.5 oz.

NOZZLE SIZE:

3.5

This Parts Listing has been compiled for your benefit. You can be assured your Mi-T-M Cold Water Pressure Washer was constructed and designed with quality and performance in mind using over 25 years experience in the pressure washer business. Each component has been rigorously tested to insure the highest level of acceptance.

The contents of this Parts Listing are based on the latest product information available at the time of publication. Mi-T-M reserves the right to make changes in price, color, materials, equipment, specifications or models at any time without notice.

WARNING

THIS IS A PROFESSIONAL HIGH PRESSURE, COLD WATER PRESSURE WASHER. CAUTION SHOULD BE OBSERVED WHEN USING OR REPAIRING THIS UNIT! READ AND FOLLOW THE SAFETY WARNINGS LISTED BELOW BEFORE ATTEMPTING ANY REPAIRS ON THIS PRESSURE WASHER!

SAFETY WARNINGS

1. NEVER alter or modify the equipment. Be sure any accessory items and system components being used will withstand the pressure developed. Use only genuine Mi-T-M parts for repair of your pressure washer. Failure to do so can cause hazardous operating conditions and will VOID warranty.
2. NEVER make adjustments on machinery while the unit is connected to the engine without first removing the ignition cable from the spark plug. Turning over the machinery by hand during adjustment or cleaning might start the engine and machinery with it, causing serious injury to the operator.
3. Know how to stop and bleed pressures quickly. Be thoroughly familiar with controls.
4. Before servicing the unit, turn unit off, relieve the water pressure and allow the unit to cool down. Do not make repairs while the unit is running. Service in a clean, dry, flat area. Block the wheels to prevent the unit from moving. Be especially careful to properly dispose of any flammable materials.
5. After testing the machine, DO NOT leave the pressurized unit unattended. Shut off the unit and release trapped pressure before leaving.

Table of Contents

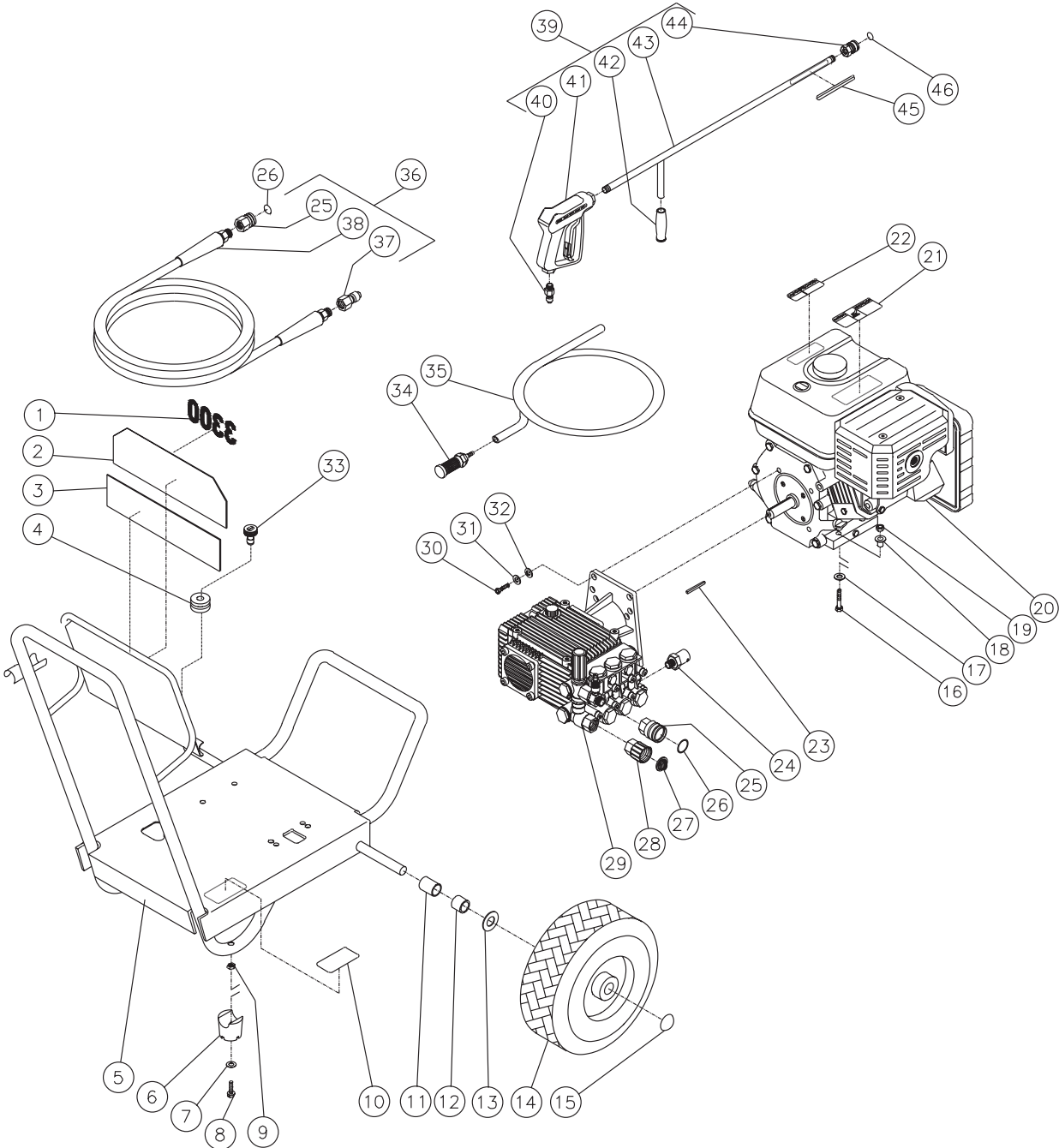
SPECIFICATIONS	3
FRAME ASSEMBLY FOR WP-3300-0MVB	4
FRAME ASSEMBLY FOR WP-3304-0MHB	6
PUMP ASSEMBLY (3-0148)	8
GUN ASSEMBLY (16-0001)	10

SPECIFICATIONS

WP-3300-0MVB/WP-3304-0MHB

MODEL NUMBER	WP-3300-0MVB	WP-3304-0MHB
Operating Pressure (PSI/Bar):	3300/227.5	
High Pressure Nozzle:	3.5	
Water Volume (GPM/lpm):	3.3/12.5	
Engine:	Vanguard	Honda
Horsepower	11.0	11.0
Engine Type	4 Stroke, Overhead Valve, Single Cylinder	
Oil Type	Above 40 F = SAE30/Below 40 F = SAE10W-30	SAE10W-30
Oil Capacity (oz./liters)	51/1.5	37/1.1
Low Oil Protection	Oil Guard	Oil Alert
Fuel Type	Unleaded Gasoline 86 Octane Minimum	
Fuel Capacity (gallon/ liters)	2.0/7.9	1.7/6.5
Starting	Recoil	
Maximum No Load RPM	3600 (+/- 100) RPM	
Pump:	Direct Driven, Oil Bath, Triplex Piston	
Oil Type	Mi-T-M Pump Oil #AW-4085-0016	
Oil Capacity (oz./liters)	18.5/.6	
Plungers	Ceramic	
Manifold	Forged Brass	
Valves	Stainless Steel	
Unloader	Adjustable	
Heat Dump Valve	Relieves heated water during unloader bypass stage	
Detergent Injector	Adjustable low pressure down stream from pump	
Unit Net Weight (lbs/Kg)	139/63	134/61
Unit Shipping Weight (lbs/Kg)	189/86	184/84
Unit Net Dimension (in/cm)	35Lx22.5Wx26H/89Lx57Wx66H	
Unit Shipping Dimension (in/cm)	39.5Lx25.5Wx32.5H/100.5Lx65Wx83H	

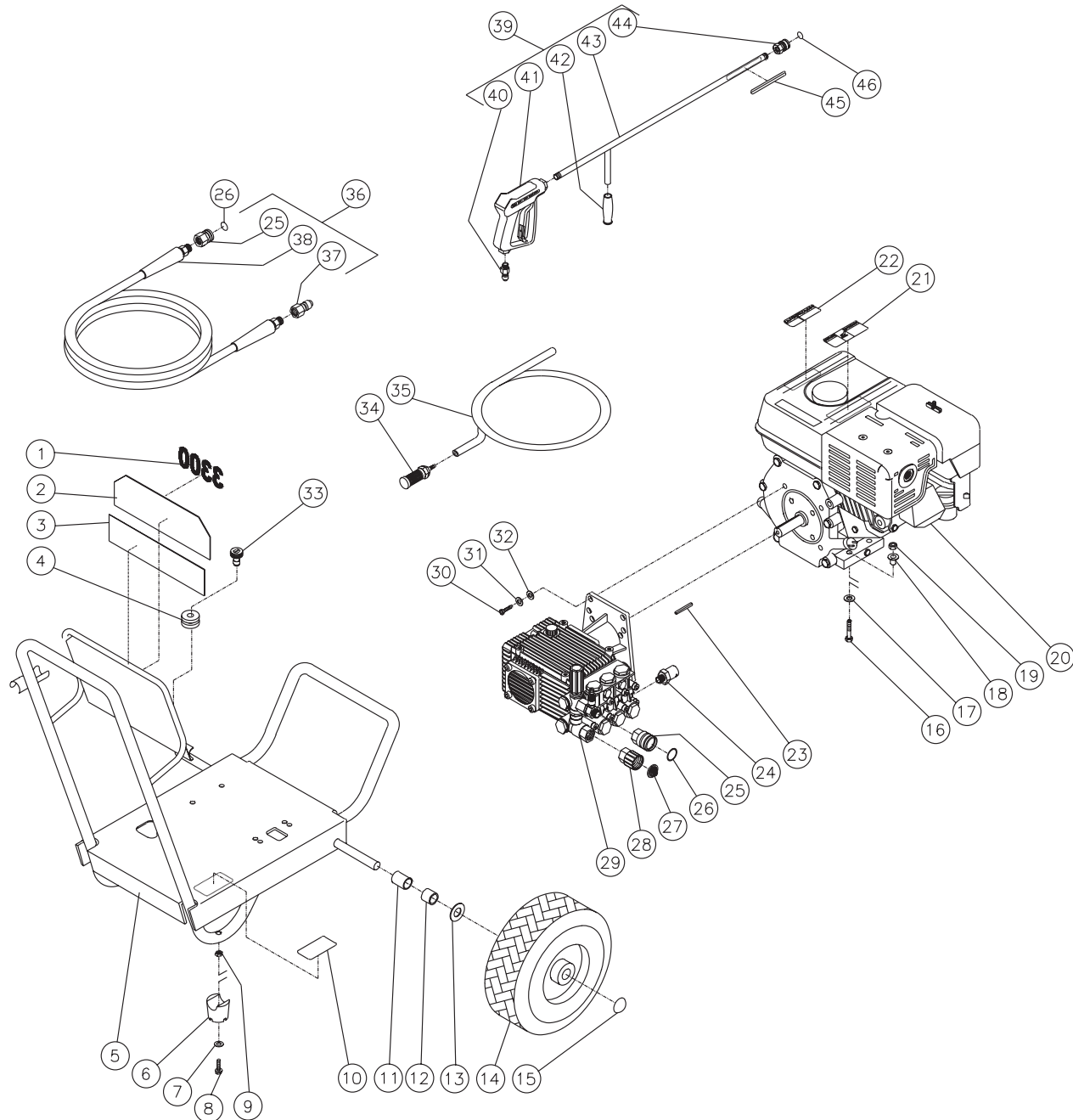
FRAME ASSEMBLY FOR WP-3300-0MVB



WP-3300-0MVB-021302-RD

FRAME ASSEMBLY FOR WP-3300-0MVB							
REF. #	DESCRIPTION	PART #	QTY.	REF. #	DESCRIPTION	PART #	QTY.
1	Decal- 3300 Die Cut	34-0776	1	26	O-ring (Replacement Only)	25-0123	-
2	Decal- Placard	34-0737	1	27	Filter	19-0001	1
3	Decal- Warning/Caution/Operation (E/S) (See 34-9018)	N/A Sep.	1	28	Garden Hose Swivel	23-0095	1
4	Grommet	33-0001	5	29	Pump	3-0148	1
5	Frame	5-0124A20	1	30	Bolt	27-0118	4
6	Isolator	14-0066	2	31	Lockwasher	29-0008	4
7	Washer	28-0021	2	32	Washer	28-0022	4
8	Bolt	27-0019	2	33	Nozzle- 1503.5	18-0258	1
9	Locknut	30-0155	2	-	Nozzle- 2503.5	18-0259	1
10	Decal- Data Plate	N/A	1	-	Nozzle- 6540	18-0148	1
11	Axle Spacer	20-0313A01	2	34	Detergent Strainer	19-0050	1
12	Axle Spacer	20-0314A01	2	35	Detergent Hose *(Four Feet Required)	15-0021	1
13	Washer	28-0008	5	36	Pressure Hose Assembly (Inc. 25, 37, 38)	851-0006	1
14	Wheel	14-0080	2	37	Quick Connect Plug	17-0006	1
15	Hubcap	33-0018	2	38	Pressure Hose	15-0004	1
16	Bolt	27-0070	4	39	Gun/Wand Assembly (Inc. 40-44)	851-0095	1
17	Washer	28-0003	4	40	Quick Connect Plug	17-0005	1
18	Shim	33-0169	4	41	Gun	16-0001	1
19	Locknut	30-0157	4	42	Grip Handle	7-0002	1
20	Engine- 11 H.P. Briggs & Stratton Vanguard	1-0089	1	43	Wand	16-0120A01	1
21	Decal- Warning: Muffler Hot (E/S) (See 34-9018)	N/A Sep.	1	44	Quick Connect Socket	17-0001	1
22	Decal- Caution: Allow to Cool (E/S) (See 34-9018)	N/A Sep.	1	45	Decal- Warning: Risk of Injection (E/S) (See 34-9018)	N/A Sep.	1
23	Key	43-0078	1	46	O-ring (Replacement Only)	25-0122	-
24	Heat Dump Valve	22-0005	1		Safety Decal Kit (Inc. 3, 21-22, 45)	34-9018	
25	Quick Connect Socket	17-0004	2	*Must Order in One Foot Lengths			

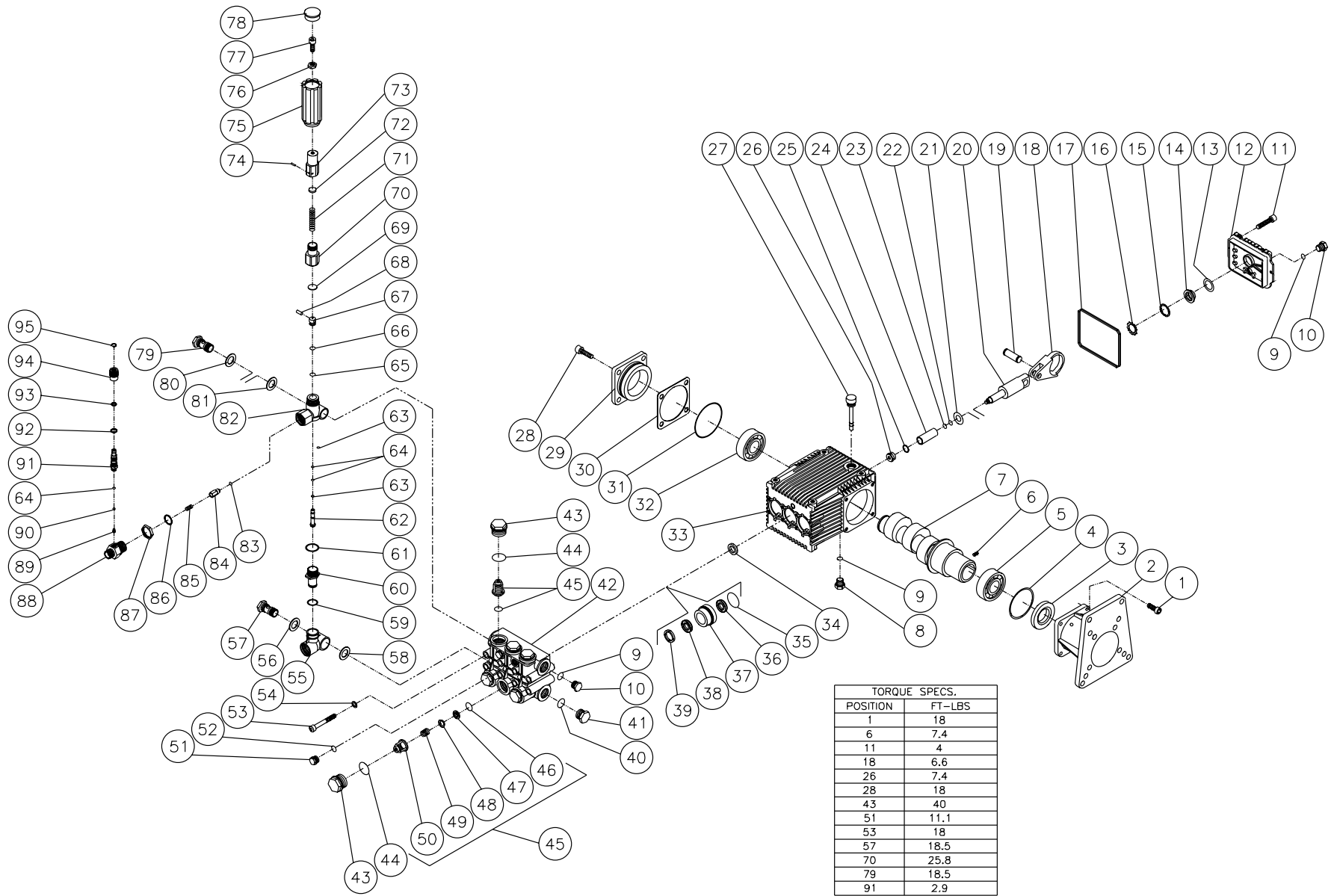
FRAME ASSEMBLY FOR WP-3304-0MHB



WP-3304-0MHB-021302-RD

FRAME ASSEMBLY FOR WP-3304-0MHB							
REF. #	DESCRIPTION	PART #	QTY.	REF. #	DESCRIPTION	PART #	QTY.
1	Decal- 3300 Die Cut	34-0776	1	26	O-ring (Replacement Only)	25-0123	-
2	Decal- Placard	34-0737	1	27	Filter	19-0001	1
3	Decal- Warning/Caution/Operation (E/S) (See 34-9018)	N/A Sep.	1	28	Garden Hose Swivel	23-0095	1
4	Grommet	33-0001	5	29	Pump	3-0148	1
5	Frame	5-0124A20	1	30	Bolt	27-0118	4
6	Isolator	14-0066	2	31	Lockwasher	29-0008	4
7	Washer	28-0021	2	32	Washer	28-0022	4
8	Bolt	27-0019	2	33	Nozzle- 1503.5	18-0258	1
9	Locknut	30-0155	2	-	Nozzle- 2503.5	18-0259	1
10	Decal- Data Plate	N/A	1	-	Nozzle- 6540	18-0148	1
11	Axle Spacer	20-0313A01	2	34	Detergent Strainer	19-0050	1
12	Axle Spacer	20-0314A01	2	35	Detergent Hose *(Four Feet Required)	15-0021	1
13	Washer	28-0008	5	36	Pressure Hose Assembly (Inc. 25, 37, 38)	851-0006	1
14	Wheel	14-0080	2	37	Quick Connect Plug	17-0006	1
15	Hubcap	33-0018	2	38	Pressure Hose	15-0004	1
16	Bolt	27-0070	4	39	Gun/Wand Assembly (Inc. 40-44)	851-0095	1
17	Washer	28-0003	4	40	Quick Connect Plug	17-0005	1
18	Shim	33-0169	4	41	Gun	16-0001	1
19	Locknut	30-0157	4	42	Grip Handle	7-0002	1
20	Engine- 11 H.P. Honda	1-0039	1	43	Wand	16-0120A01	1
21	Decal- Warning: Muffler Hot (E/S) (See 34-9018)	N/A Sep.	1	44	Quick Connect Socket	17-0001	1
22	Decal- Caution: Allow to Cool (E/S) (See 34-9018)	N/A Sep.	1	45	Decal- Warning: Risk of Injection (E/S) (See 34-9018)	N/A Sep.	1
23	Key	43-0078	1	46	O-ring (Replacement Only)	25-0122	-
24	Heat Dump Valve	22-0005	1		Safety Decal Kit (Inc. 3, 21-22, 45)	34-9018	
25	Quick Connect Socket	17-0004	2	*Must Order in One Foot Lengths			

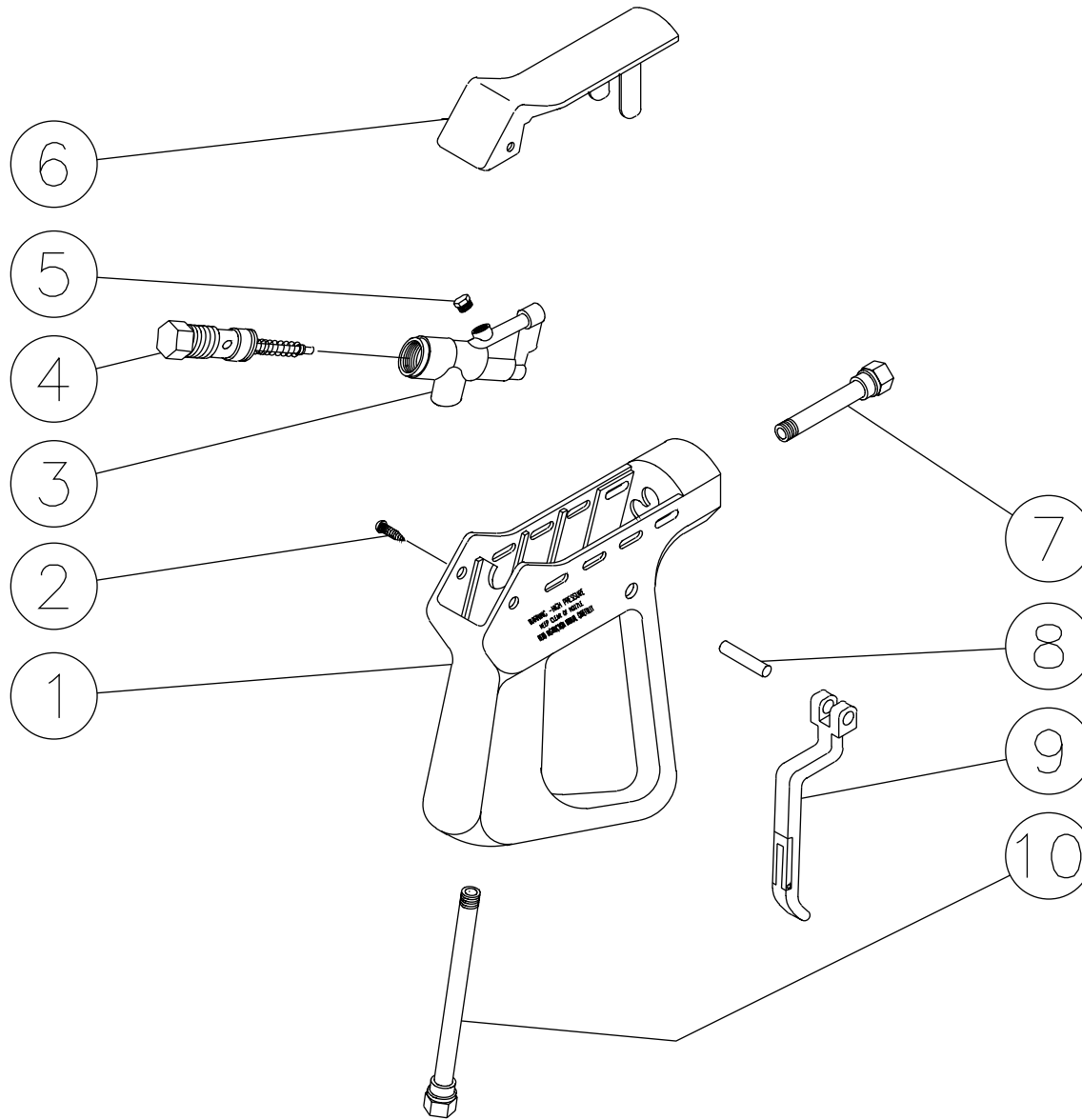
PUMP ASSEMBLY (3-0148)



3-0148-082302-RD

PUMP ASSEMBLY (3-0148)											
REF. #	DESCRIPTION	PART #	QTY.	REF. #	DESCRIPTION	PART #	QTY.	REF. #	DESCRIPTION	PART #	QTY.
1	Bolt	27-8432	4	33	Crankcase	46-0811	1	69	Spring Button	8-0445	1
2	Flange	46-0714	1	34	Oil Seal	46-0931	3	70	Spring Guide	8-0474	1
3	Oil Seal	26-0194	1	35	O-ring	25-0384	3	71	Spring	49-0132	1
4	O-ring	25-0397	1	36	Low Pressure Seal (See 70-0177)	N/A Sep.	3	72	Spring Button	8-0475	1
5	Roller Bearing	48-0062	1	37	Packing Retainer	46-0708	3	73	Adjustment Barrel	8-0476	1
6	Set Screw	27-8886	1	38	V-packing (See 70-0177)	N/A Sep.	3	74	Pin	8-0477	1
7	Crankshaft	46-0959	1	39	Support Ring (See 70-0178)	N/A Sep.	3	75	Unloader knob	7-0141	1
-	Crankshaft (Before Serial #414453)	46-0734	1	40	O-ring	25-0372	1	76	Nut	30-3025	1
8	Plug	39-0102	1	41	Plug	39-0088	1	77	Bolt	27-8433	1
9	O-ring	25-0325	3	42	Manifold	46-0711	1	78	Cap	7-0142	1
10	Plug	39-0086	2	43	Valve Cap	39-0095	6	79	Adapter	8-0448	1
11	Bolt	27-8885	6	44	O-ring	25-0160	6	80	Washer	8-0449	1
12	Crankcase Cover	46-0719	1	45	Single Valve Assembly (Inc. 46-50)(See 70-0179)	N/A Sep.	6	81	Washer	8-0450	1
13	O-ring	25-0370	1	46	O-ring	25-0386	6	82	Unloader Body	8-0451	1
14	Oil Sight Glass	46-0670	1	47	Valve Seat (See 70-0179)	N/A Sep.	6	83	O-ring	25-0437	1
15	Reflector	46-0824	1	48	Valve Plate (See 70-0179)	N/A Sep.	6	84	Check Valve	8-0454	1
16	Retainer	46-0671	1	49	Valve Spring (See 70-0179)	N/A Sep.	6	85	Spring	49-0123	1
17	O-ring	25-0398	1	50	Valve Cage (See 70-0179)	N/A Sep.	6	86	O-ring	25-0372	1
18	Connecting Rod	46-0896	3	51	Plug	39-0096	2	87	Tightener Nut	8-0497	1
-	Connecting Rod (Before Serial #414453)	46-0696	3	52	O-ring	25-0387	2	88	Injector Adapter	8-0498	1
19	Piston Pin	46-0698	3	53	Head Bolt	27-8440	8	89	Detergent Injector Spring (See 70-0196)	N/A Sep.	1
20	Plunger Rod	46-0699	3	54	Lockwasher	29-0154	8	90	Ball (See 70-0196)	N/A Sep.	1
21	Washer	46-0700	3	55	Inlet Bypass Adapter	8-0437	1	91	Barb	8-0499	1
22	Back-up Ring	25-0404	3	56	Washer	8-0440	1	92	O-ring (See 70-0196)	N/A Sep.	1
23	O-ring	25-0382	3	57	Adaptor	8-0438	1	93	O-ring (See 70-0196)	N/A Sep.	1
24	Piston	46-0701	3	58	Washer	8-0439	1	94	Adjustable Detergent Knob	7-0152	1
25	Washer	26-0191	3	59	O-ring (See 70-0180)	N/A Sep.	1	95	Snap Ring (See 70-0196)	N/A Sep.	1
26	Nut	30-6020	3	60	Nipple	8-0441	1		High Pressure Seal Kit (Inc. 3 each 35, 36, 38)	70-0177	
27	Oil Dipstick	39-0090	1	61	O-ring (See 70-0180)	N/A Sep.	1		Support Ring Kit (Includes 3 each 39)	70-0178	
28	Bolt	27-8884	4	62	Piston	8-0442	1		Valve Kit (Includes 3 each 46-50)	70-0179	
29	Bearing Cap	48-0703	1	63	Back-up Ring (See 70-0180)	N/A Sep.	2		Unloader Repair Kit (Inc. 59, 61, 63-66, 83)	70-0180	
30	Shim 0.1mm (Qty varies 1-3)	46-0704	-	64	O-ring	25-0371	3		Unloader Complete (Inc. 55-85)	8-0456	
-	Shim 0.2mm (Qty varies 1-3)	46-0705	-	65	O-ring (See 70-0180)	N/A Sep.	1		Detergent Injector Complete (Inc. 64, 86-95)	70-0196	
31	O-ring	25-0380	1	66	Back-up Ring (See 70-0180)	N/A Sep.	1		Oil Seal Kit (Includes 3, 4, 17, 31, 34)	70-0337	
32	Bearing	48-0072	1	67	Poppet	8-0443	1		Piston Kit (Includes 3 each 21-26)	70-0352	
-	Bearing (Before Serial # 414453)	48-0061	1	68	Pin	8-0444	1				

GUN ASSEMBLY (16-0001)



16-0001-110399-RD

GUN ASSEMBLY (16-0001)			
REF. #	DESCRIPTION	PART #	QTY.
1	Plastic Housing	16-0008	1
2	Screw	27-3230	2
3	Brass Housing	16-0012	1
4	Gun Repair Kit	70-0055	1
5	Brass Plug	39-0024	1
6	Plastic Cover	16-0009	1
7	Pipe Assembly	16-0013	1
8	Trigger Pin	16-0063	1
9	Trigger/Safety Lock-off	16-0010	1
10	Pipe Assembly- Inlet	16-0016	1
	Complete Gun Assembly	16-0001	1

